

Log Table

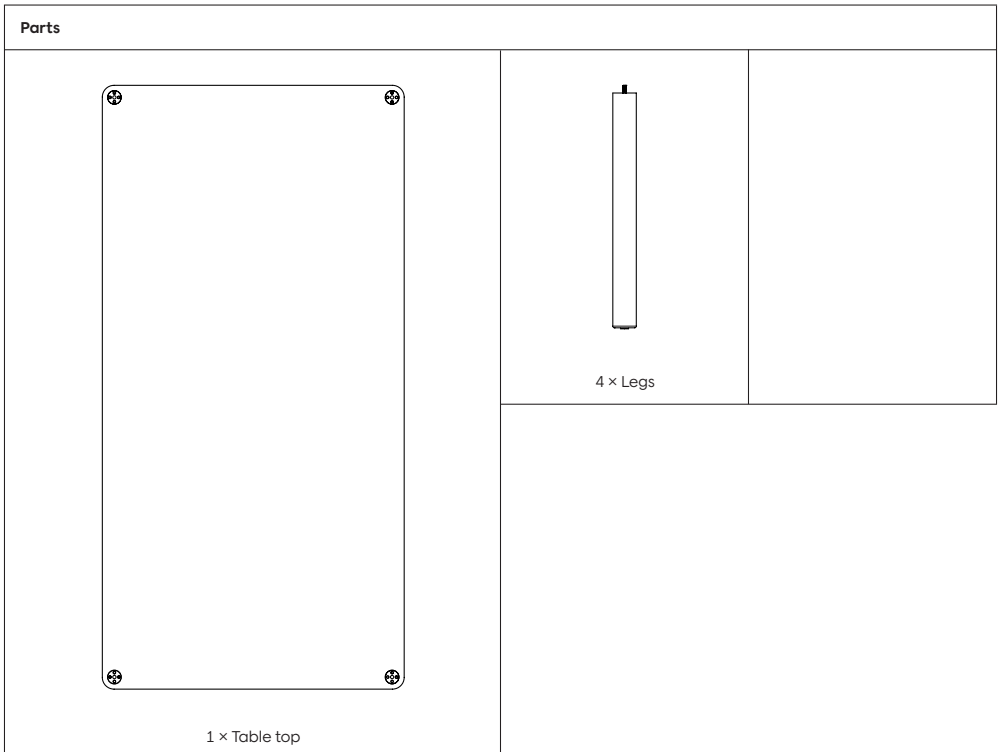


**Assembly
Instruction**

Log Table

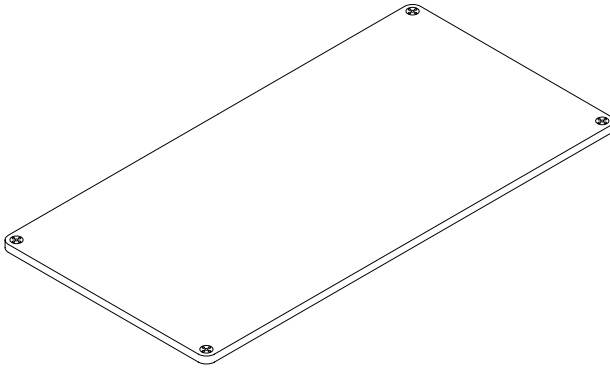
Engineered archetype

The Log Table is archetypal, its clean lines and refined silhouette contrived by designer Julien Renault, whose intention was to make a quintessential table for work or play. Its streamlined design cleverly conceals its engineering: a veneer-covered honeycomb core keeps the tabletop light, allowing it to span a great distance. Purposefully robust legs anchor the table and give it stability, and their simple screw connections make assembly straightforward. The ever-so-pleasing curved edge and rounded lines of the legs gently soften the overall effect.



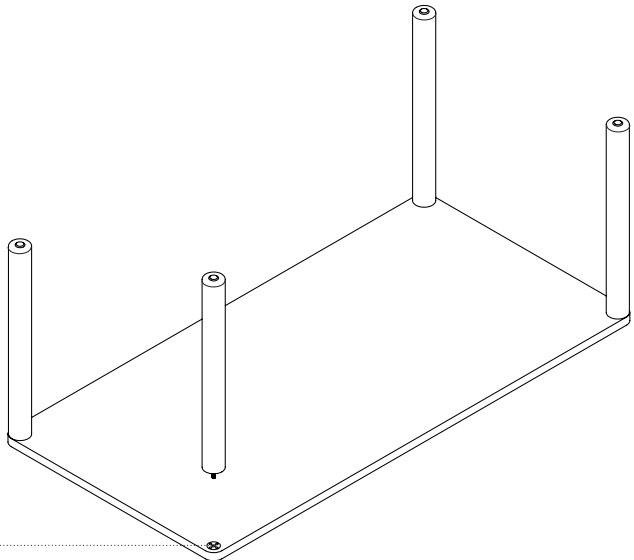
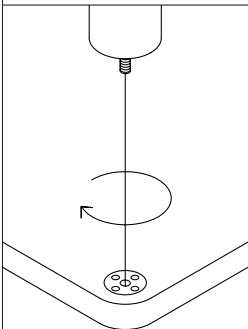
Step 1

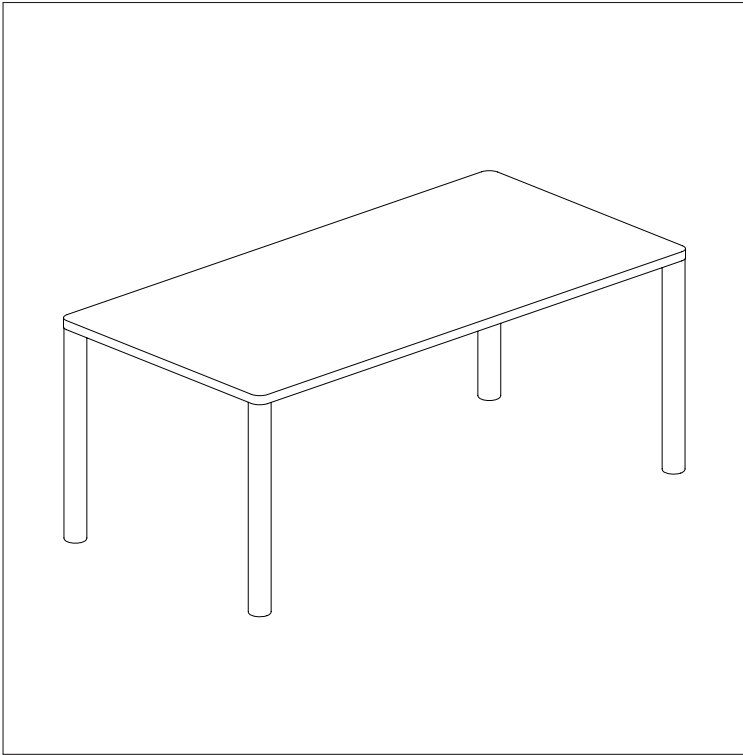
Place the tabletop with the screwing devices up onto a soft, stable surface.



Step 2

Attach the extension frame to the start frame by using the screws provided as seen on the picture below. Repeat the same process with the last frame, the end frame, until your sofa frame looks ready assembled.





Step 3

When ready assembled turn the table around, and place on an even ground. Ask someone to assist you.

Please note: Due to its lightweight construction we recommend to load the Log Table to a maximum of 90 kilogram on one point.

Should you have any problems assembling your product, contact us at info@hem.com. We're always happy to help!

Hem