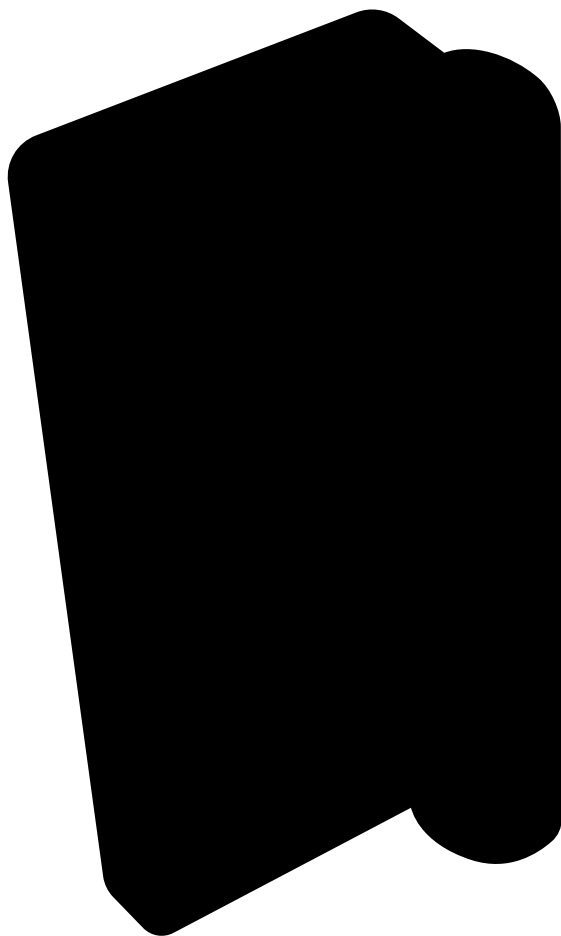


Kumo Single-seater Sofa



**Assembly
Instruction**

Kumo Sofa

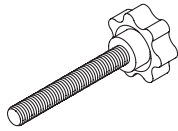
Most modular

The Kumo Sofa system is built around an innovative metal frame onto which individual cushion components are added. This intelligent design from Anderssen & Voll makes Kumo especially convenient to live with—readily reconfigurable whenever and however you wish. Kumo is also efficient and responsible to ship thanks to the same quality: it dismantles easily. Like its namesake—Kumo means “cloud” in Japanese—this sofa is light and soft as well as clever, with generous, foam-filled cushions covered in a luxurious, highly textured woolen fabric as a final flourish.

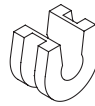
Parts



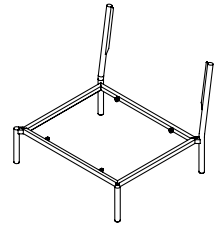
Knob



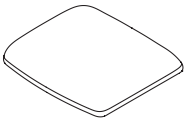
Screw



Plastic fitting



Single-seater frame

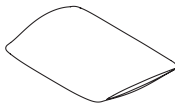


Side view



Top view

Seat



Side view

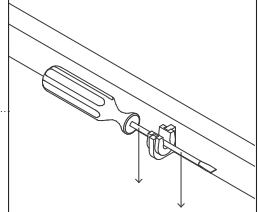
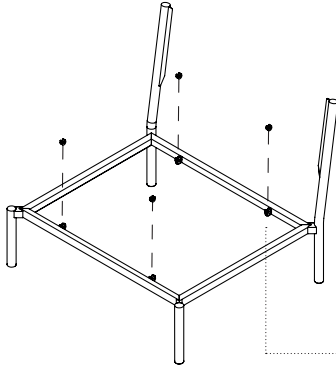


Top view

Straight backrest

Step 1

Starting with the single-seater frame, click in all the plastic fittings with the help of a screw driver, in case they're not in place.

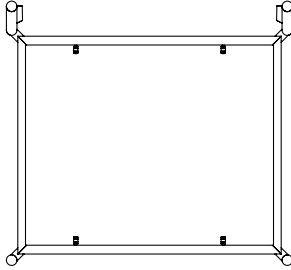


Step 2

Your Kumo Single-seater Sofa should now look like this from the top.

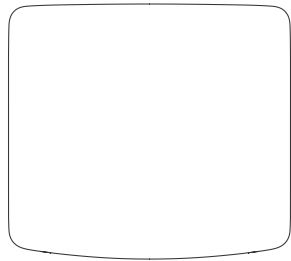
Next, get familiar with the direction of the seat cushion before continuing with step 3.

Back



Front

Back



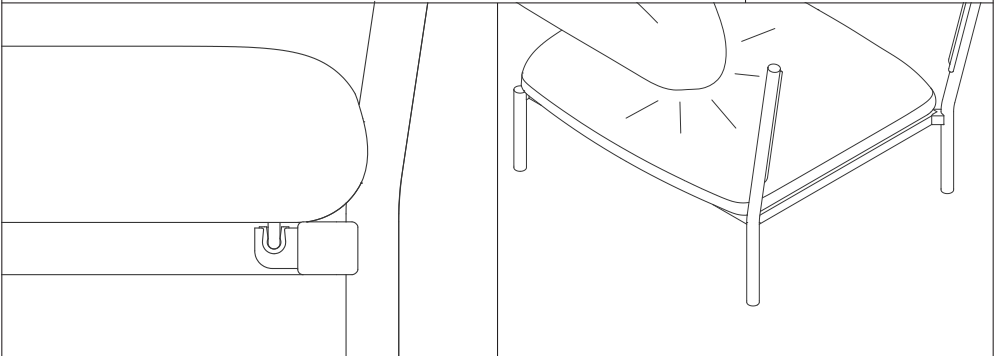
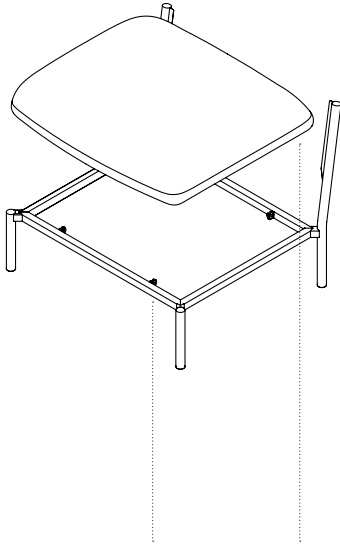
Front

Step 3

Next, click the seat cushion into the frame.

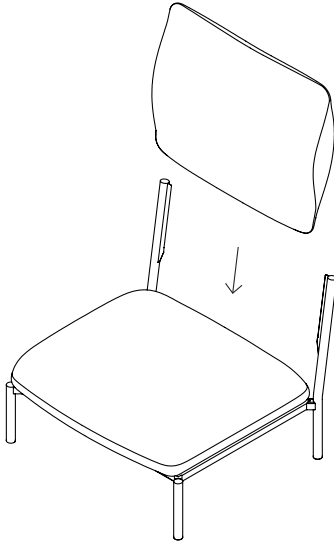
When you hear a click sound, the cushion sits tightly in the frame. Use your knee for more force.

Double check, that you have clicked the seat in correctly and facing the right way.



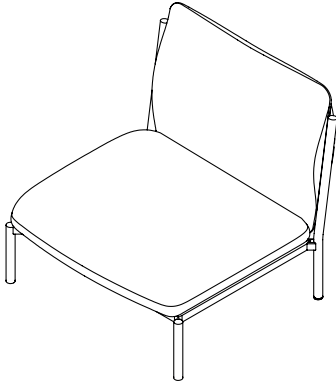
Step 4

Next, slide in the straight backrest cushion.



Step 5

Your Kumo Single-seater Sofa
is now ready assembled!



Notes

Notes

Notes

Should you have any problems assembling your product, contact us at info@hem.com. We're always happy to help!

Hem