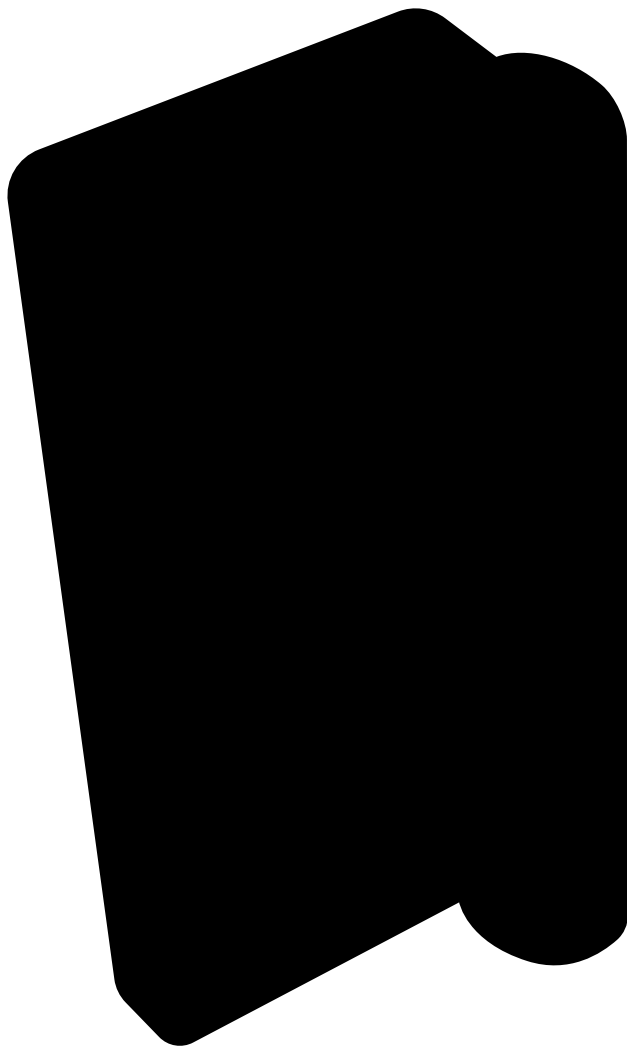


Kumo Ottoman

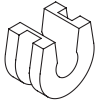


**Assembly
Instruction**

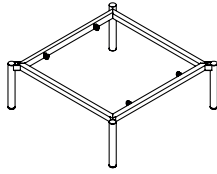
Kumo Ottoman
Most modular

The Kumo Sofa system is built around an innovative metal frame onto which individual cushion components are added. This intelligent design from Anderssen & Voll makes Kumo especially convenient to live with—readily reconfigurable whenever and however you wish. Kumo is also efficient and responsible to ship thanks to the same quality: it dismantles easily. Like its namesake—Kumo means “cloud” in Japanese—this sofa is light and soft as well as clever, with generous, foam-filled cushions covered in a luxurious, highly textured woolen fabric as a final flourish.

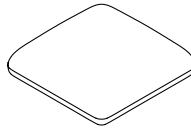
Parts



Plastic fitting



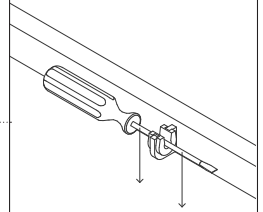
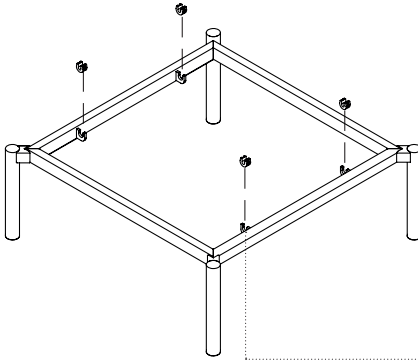
Ottoman frame



Ottoman seat

Step 1

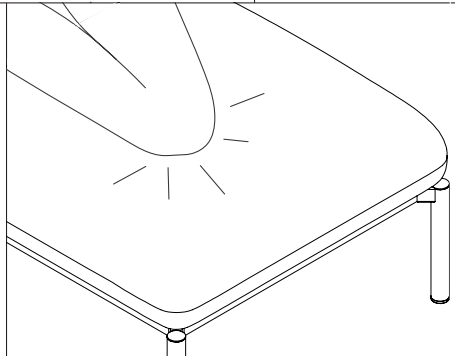
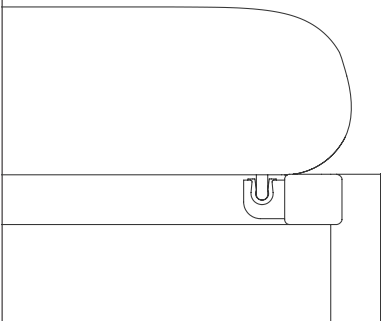
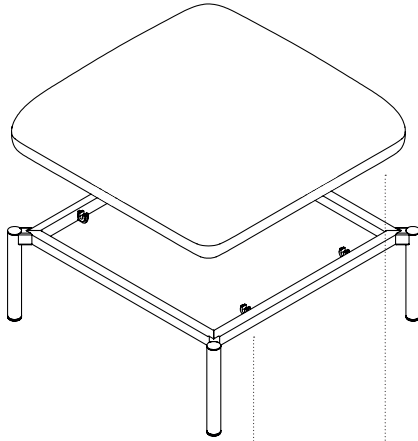
Starting with the Ottoman frame, click in all the plastic fittings with the help of a screw driver, in case they're not in place.



Step 2

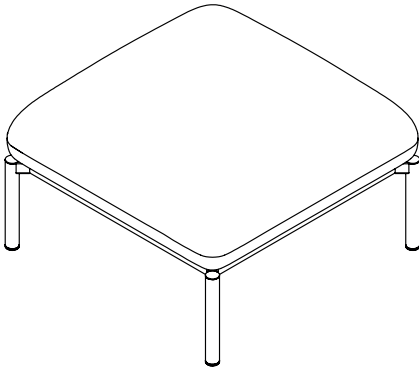
Next, click the Ottoman seat cushion into the frame.

When you hear a click sound, the cushion sits tightly in the frame. Use your knee for more force.



Step 3

Your Kumo Ottoman is now ready assembled!



Notes

Should you have any problems assembling your product, contact us at info@hem.com. We're always happy to help!

Hem