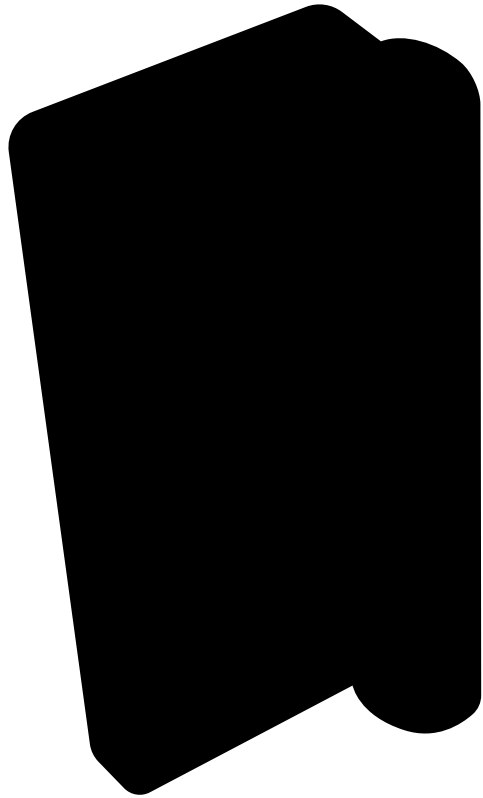


# **Kumo Corner Sofa Right with Armrest**




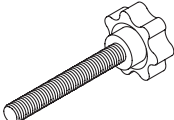
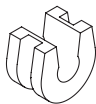
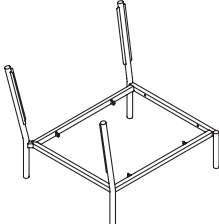
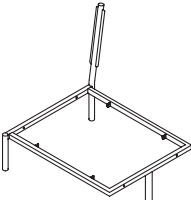
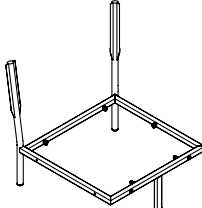
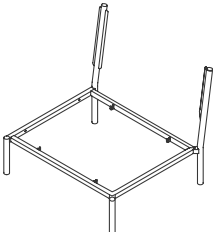
## **Assembly Instruction**

## Kumo Sofa

### *Most modular*

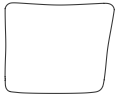
The Kumo Sofa system is built around an innovative metal frame onto which individual cushion components are added. This intelligent design from Anderssen & Voll makes Kumo especially convenient to live with—readily reconfigurable whenever and however you wish. Kumo is also efficient and responsible to ship thanks to the same quality: it dismantles easily. Like its namesake—Kumo means “cloud” in Japanese—this sofa is light and soft as well as clever, with generous, foam-filled cushions covered in a luxurious, highly textured woolen fabric as a final flourish.

**Please note:** Use this assembly instruction for building the Kumo Corner Sofa Right with Armrest as well as the Kumo Corner Sofa Right.

Parts: Building the Kumo Corner Sofa Right with Armrest			
			
Knob	Screw	Plastic fitting	
			
End frame	Extension frame	Corner frame	Start frame

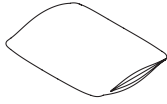


Side view

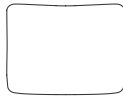


Top view

Armrest  
**c**

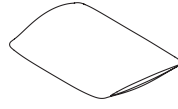


Side view

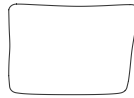


Top view

Straight backrest  
**d**

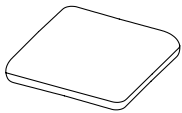


Side view

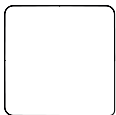


Top view

Side Backrest  
**e**

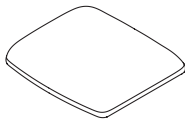


Side view



Top view

Corner seat  
**b**



Side view

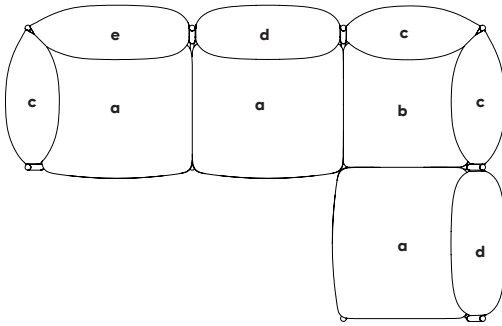


Top view

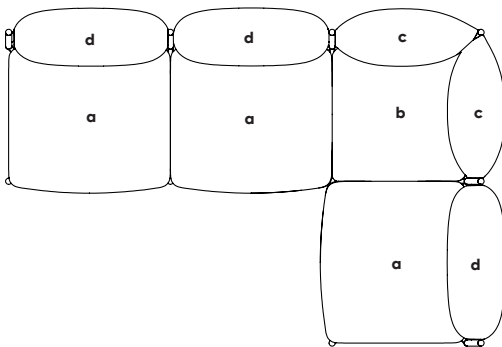
Seat  
**a**

**Step 1**

Before starting assembling, please get familiar with the different types of cushions.



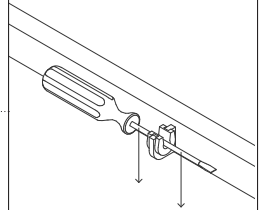
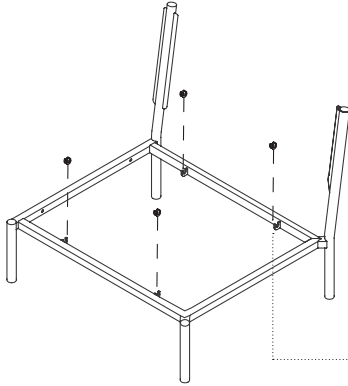
Kumo Corner Sofa Right with Armrest



Kumo Corner Sofa Right

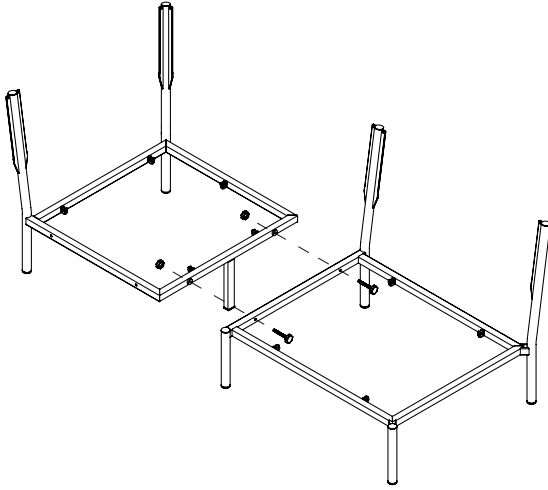
**Step 2**

Starting with the start frame, the right hand side of the final sofa, click in all the plastic fittings with the help of a screw driver, in case they're not in place.



**Step 3**

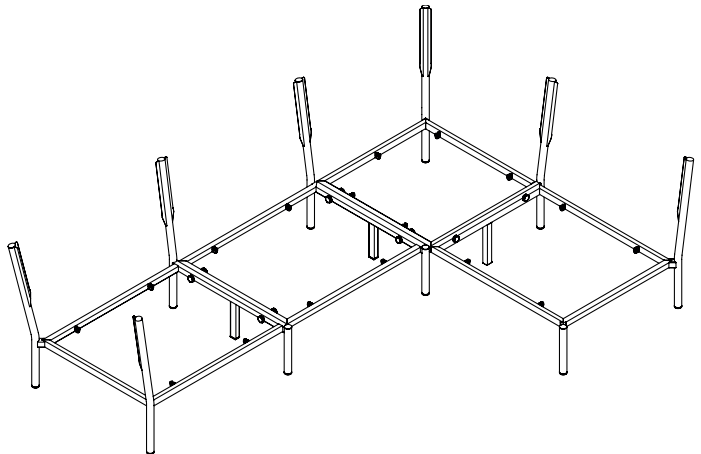
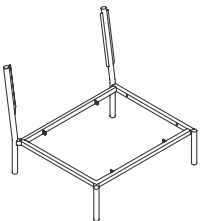
Attach the corner frame to the start frame by using the screws provided.



**Step 4**

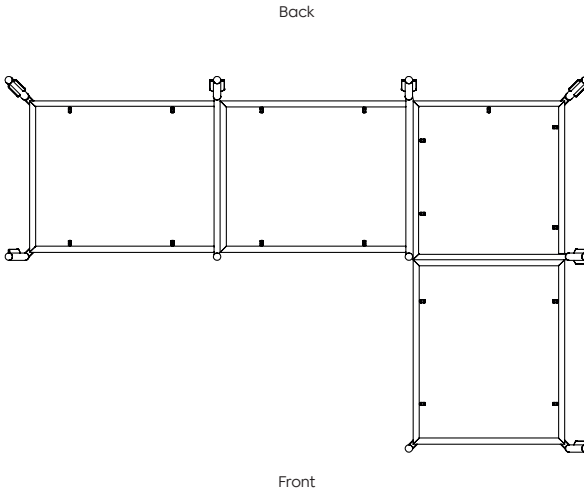
Next, attach the extension frame and then the end frame.

**Please note:** If you want to build the Kumo Corner Sofa Right (without Armrest) please end with this frame:

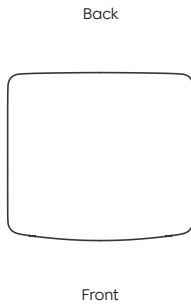


**Step 5**

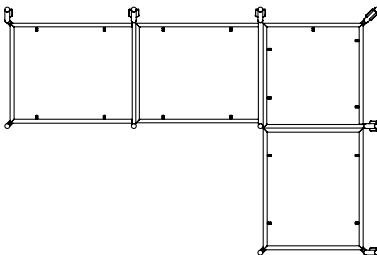
Your Kumo Corner Sofa Right with Armrest should now look like this from the top.



Next, get familiar with the direction of the seat cushion before continuing with step 6.



**Please note:** If you are building the Kumo Corner Sofa Right (without Armrest) your sofa should look like this now from the top.





### Step 6

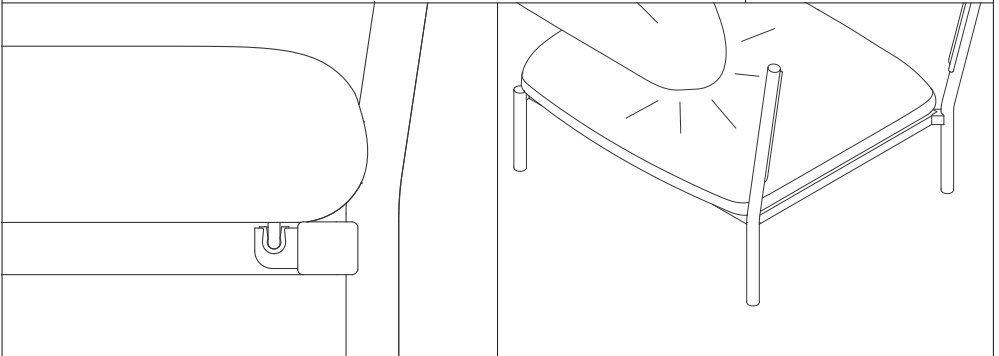
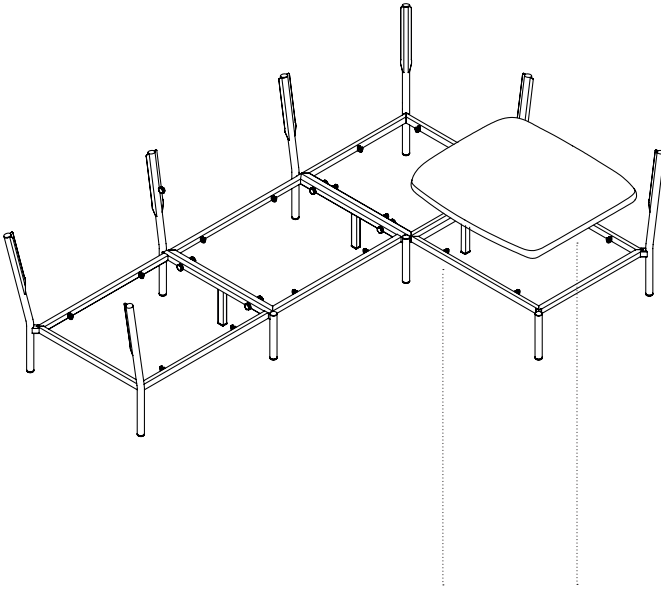
Next, click the first seat cushion into the frame.

Start from right to left.

Make sure it is the correct seat cushion and not the corner seat.

When you hear a click sound, the cushions sit tightly in the frame. Use your knee for more force.

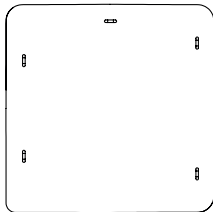
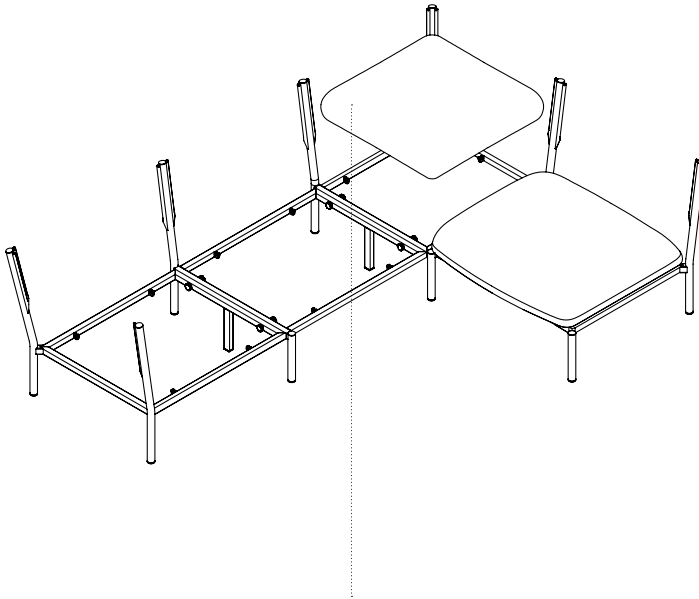
Continue with the next seat cushion. Double check, that you have clicked the seats in correctly and facing the right way.



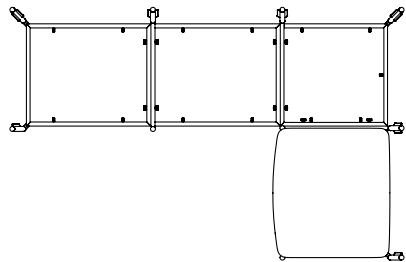
**Step 7**

Next, click the corner cushion into the frame. Make sure you fit all 5 hooks in the seat to the corner frame accordingly.

Continue with the last two seat cushions.



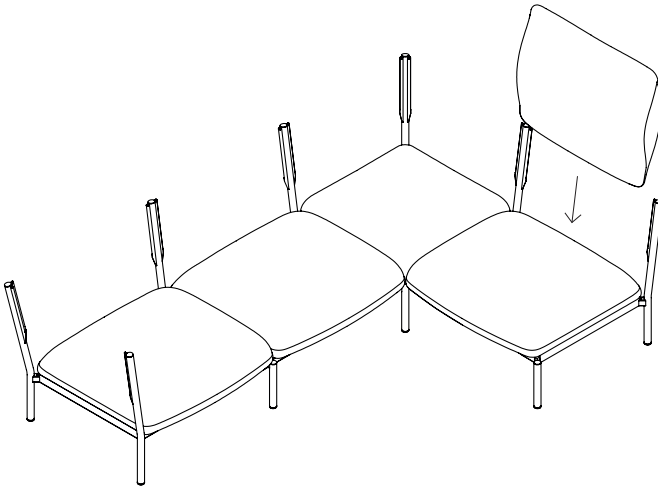
Bottom view corner cushion



Top view corner frame

**Step 8**

Start from the right side.  
Slide a straight backrest  
cushion into the slots of the  
start frame.

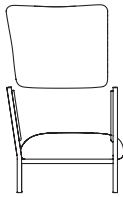
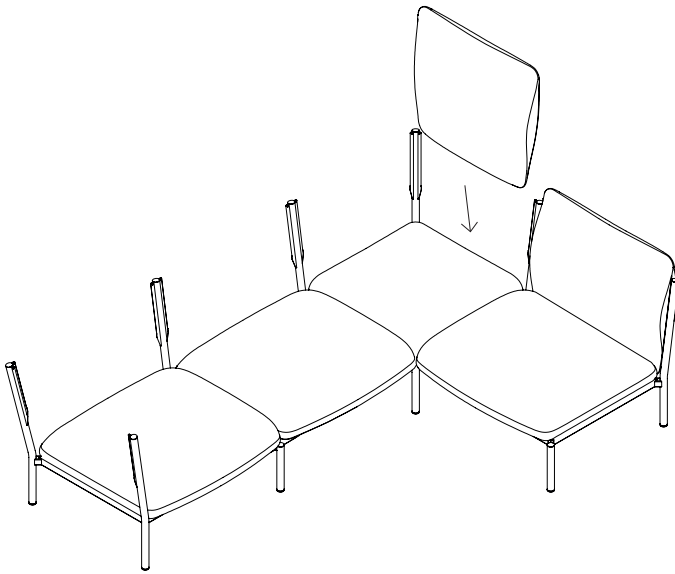


**Step 9**

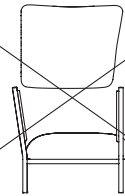
Slide in the first armrest cushion and then the second armrest cushion.

After that, slide in one straight backrest cushion.

Then, slide in one side backrest cushion.



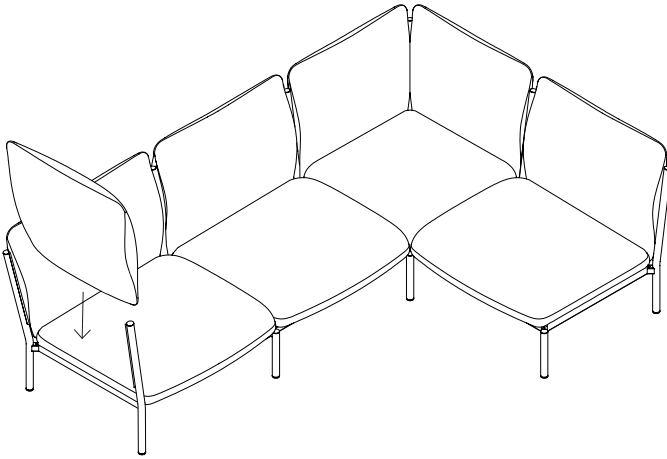
Correct



Incorrect

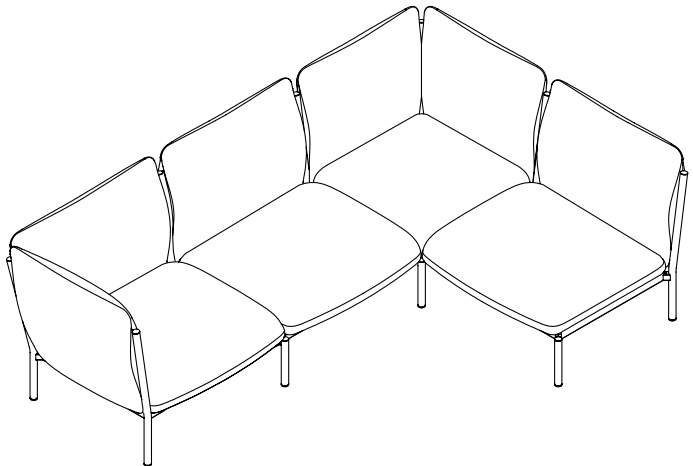
**Step 10**

Lastly, slide in the armrest cushion.



**Step 11**

Your Kumo Corner Sofa Right with Armrest is now ready assembled!



Notes

**Notes**


Should you have any problems assembling your product, contact us at [info@hem.com](mailto:info@hem.com). We're always happy to help!

# Hem