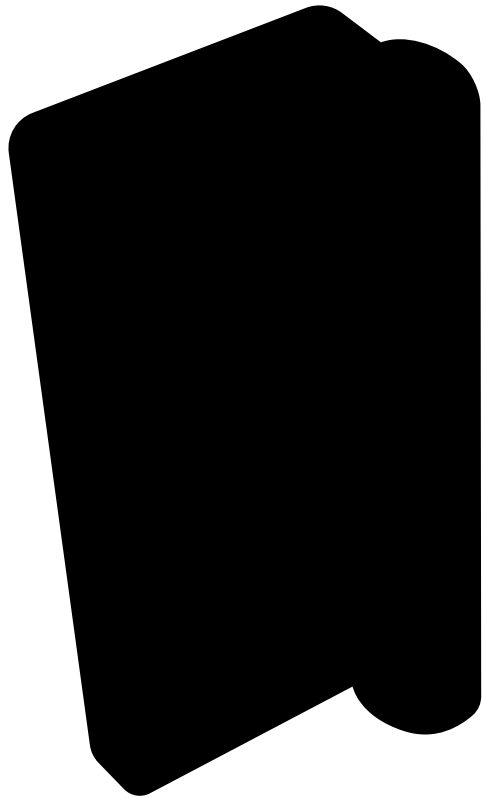


Kumo Corner Sofa Left with Armrest




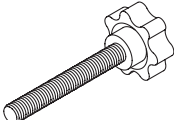
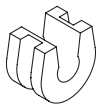
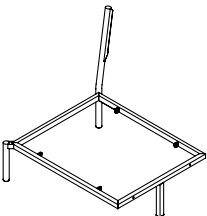
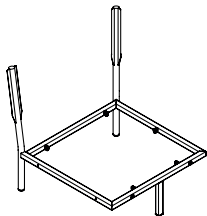
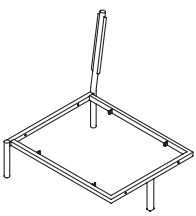
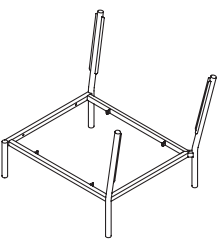
Assembly Instruction

Kumo Sofa

Most modular

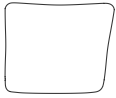
The Kumo Sofa system is built around an innovative metal frame onto which individual cushion components are added. This intelligent design from Anderssen & Voll makes Kumo especially convenient to live with—readily reconfigurable whenever and however you wish. Kumo is also efficient and responsible to ship thanks to the same quality: it dismantles easily. Like its namesake—Kumo means “cloud” in Japanese—this sofa is light and soft as well as clever, with generous, foam-filled cushions covered in a luxurious, highly textured woolen fabric as a final flourish.

Please note: Use this assembly instruction for building the Kumo Corner Sofa Left with Armrest as well as the Kumo Corner Sofa Left.

Parts: Building the Kumo Corner Sofa Left with Armrest			
			
Knob	Screw	Plastic fitting	
			
End frame	Corner frame	Extension frame	Start frame

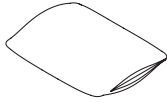


Side view

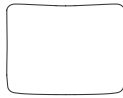


Top view

Armrest
c

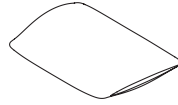


Side view

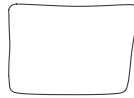


Top view

Straight backrest
d

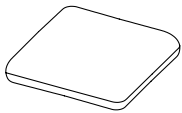


Side view

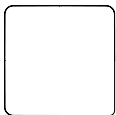


Top view

Side backrest
e

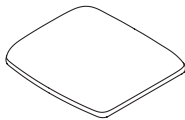


Side view

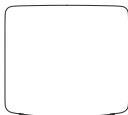


Top view

Corner seat
b



Side view

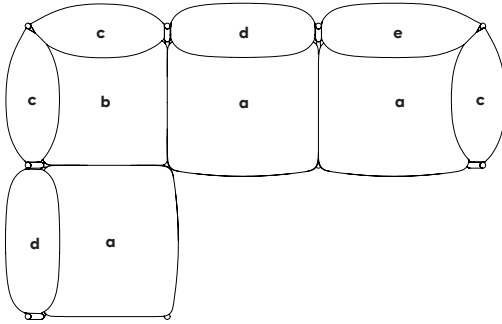


Top view

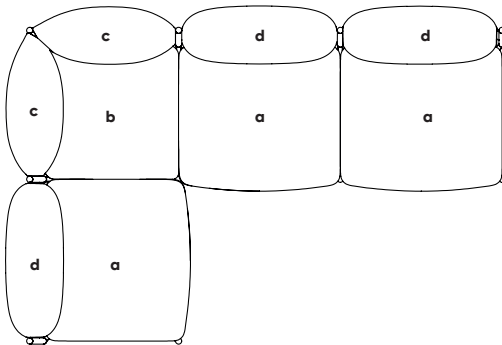
Seat
a

Step 1

Before starting assembling, please get familiar with the different types of cushions.



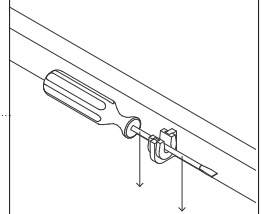
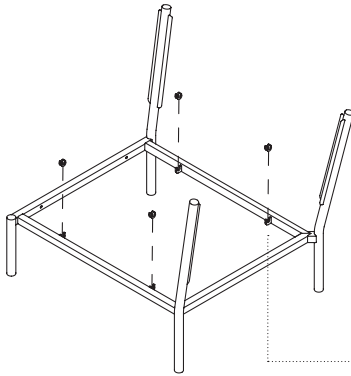
Kumo Corner Sofa Left with Armrest



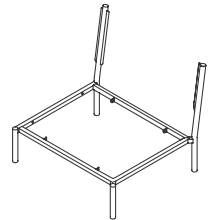
Kumo Corner Sofa Left

Step 2

Starting with the start frame, the right hand side of the final sofa. Click in all the plastic fittings with the help of a screw driver, in case they're not in place.

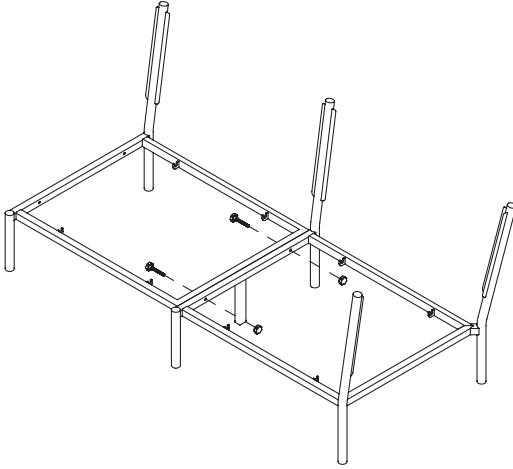


Please note: If you want to build the Kumo Corner Sofa Left (without Armrest) please start with this frame:



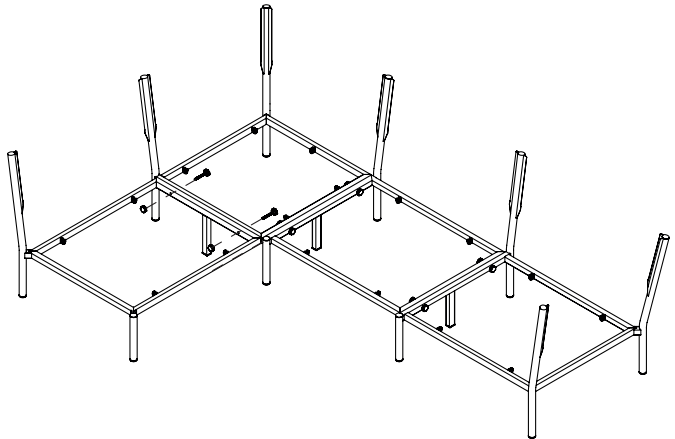
Step 3

Attach the extension frame to the start frame by using the screws provided as seen on the picture below.



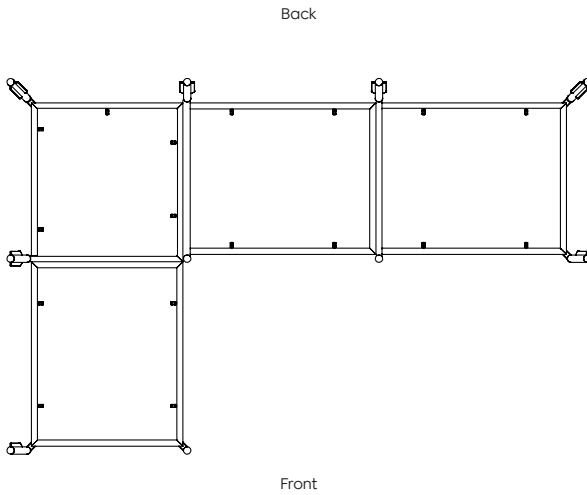
Step 4

Repeat the same process with the corner frame and the end frame, until your sofa frame looks ready assembled.

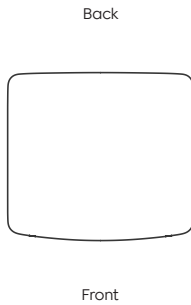


Step 5

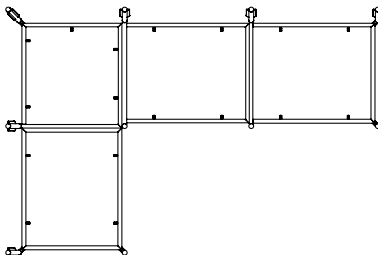
Your Kumo Corner Sofa Left with Armrest should now look like this from the top.



Next, get familiar with the direction of the seat cushion before continuing with step 6.



Please note: if you are building the Kumo Corner Sofa Left (without Armrest) your sofa should look like this now from the top.



Step 6

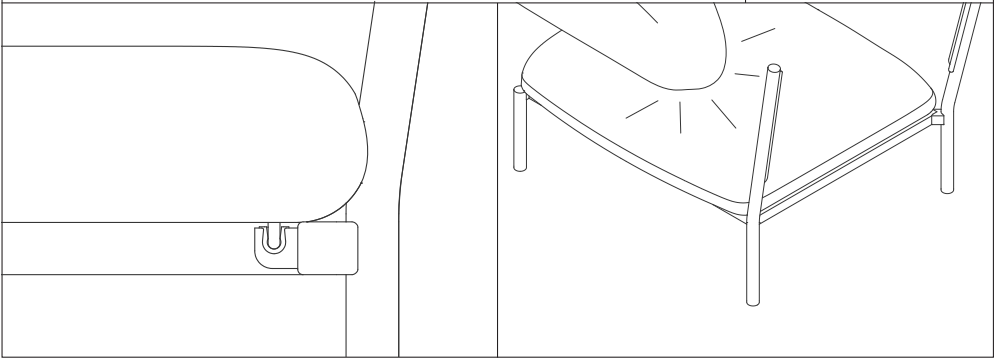
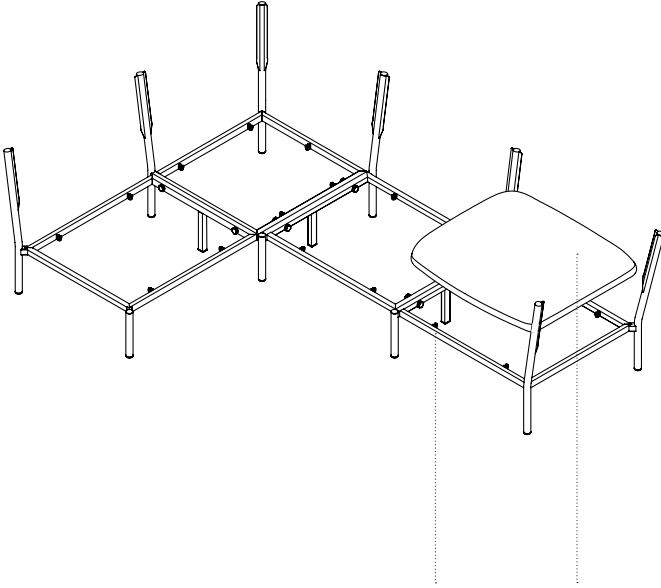
Next, click the first seat cushion into the frame.

Start from right to left.

Make sure it is the correct seat cushion and not the corner seat.

When you hear a click sound, the cushions sit tightly in the frame. Use your knee for more force.

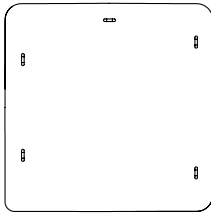
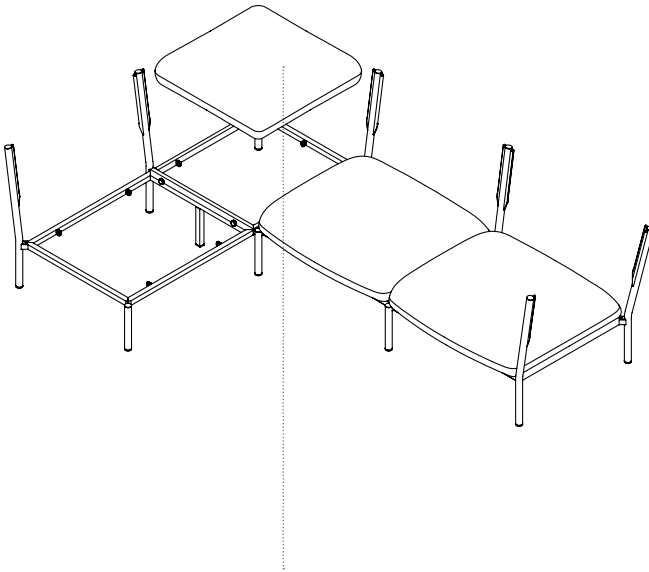
Continue with the next seat cushion. Double check, that you have clicked the seats in correctly and facing the right way.



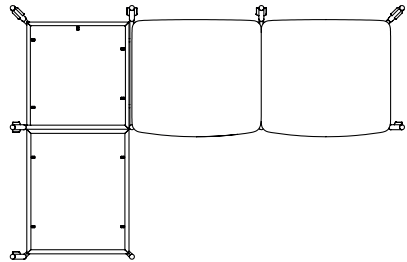
Step 7

Next, click the corner cushion into the frame. Make sure you fit all 5 hooks in the seat to the corner frame accordingly.

Continue with the last seat cushion.



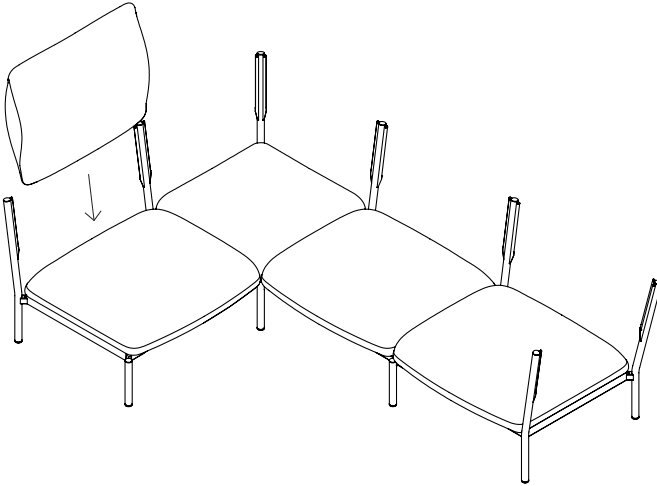
Bottom view corner cushion



Top view corner frame

Step 8

Start from the left side.
Slide a straight backrest
cushion into the slots of the
end frame.

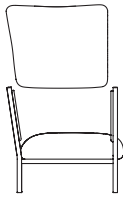
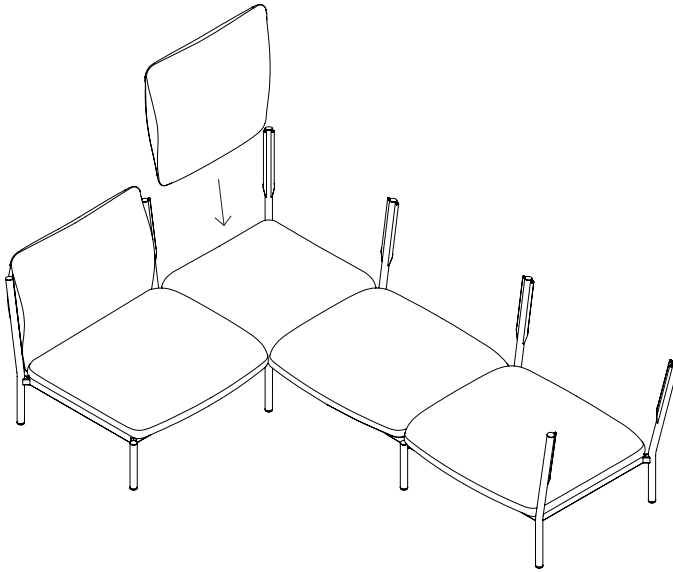


Step 9

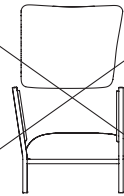
Slide in the first armrest cushion and then the second armrest cushion.

After that, slide in one straight backrest cushion.

Then, slide in one side backrest cushion.



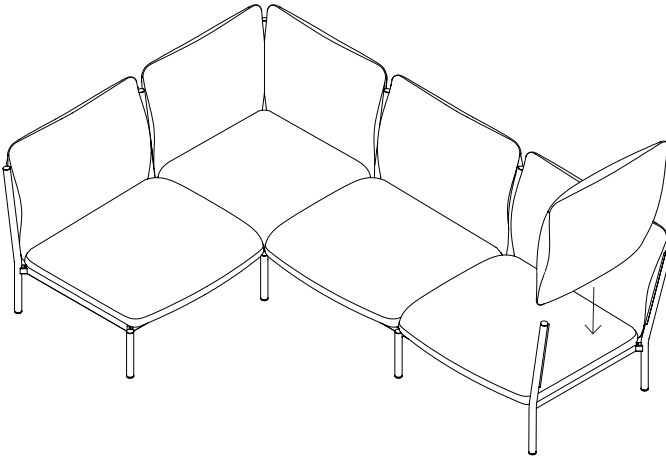
Correct



Incorrect

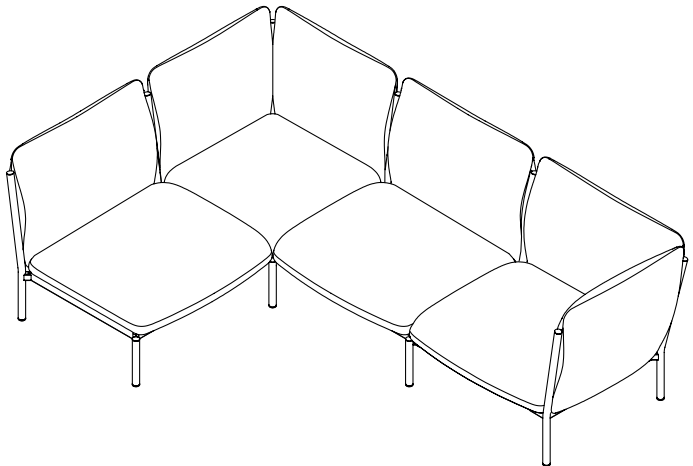
Step 10

Lastly, slide in the armrest cushion.



Step 11

Your Kumo Corner Sofa Left with Armrest is now ready assembled!



Notes

Notes

Should you have any problems assembling your product, contact us at info@hem.com. We're always happy to help!

Hem