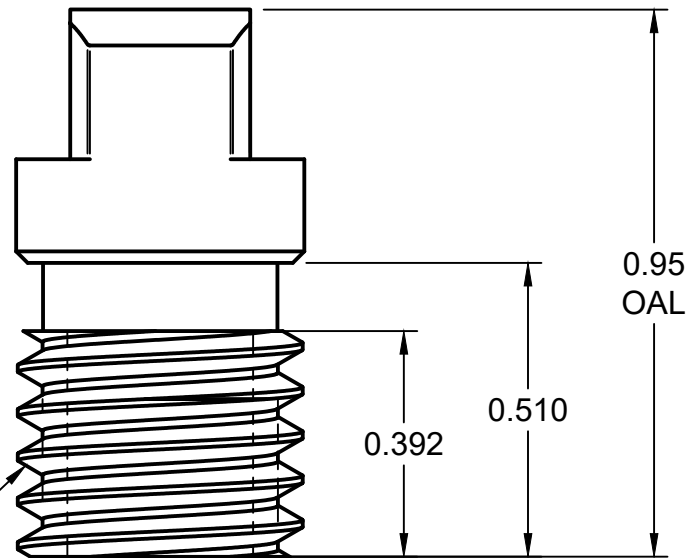
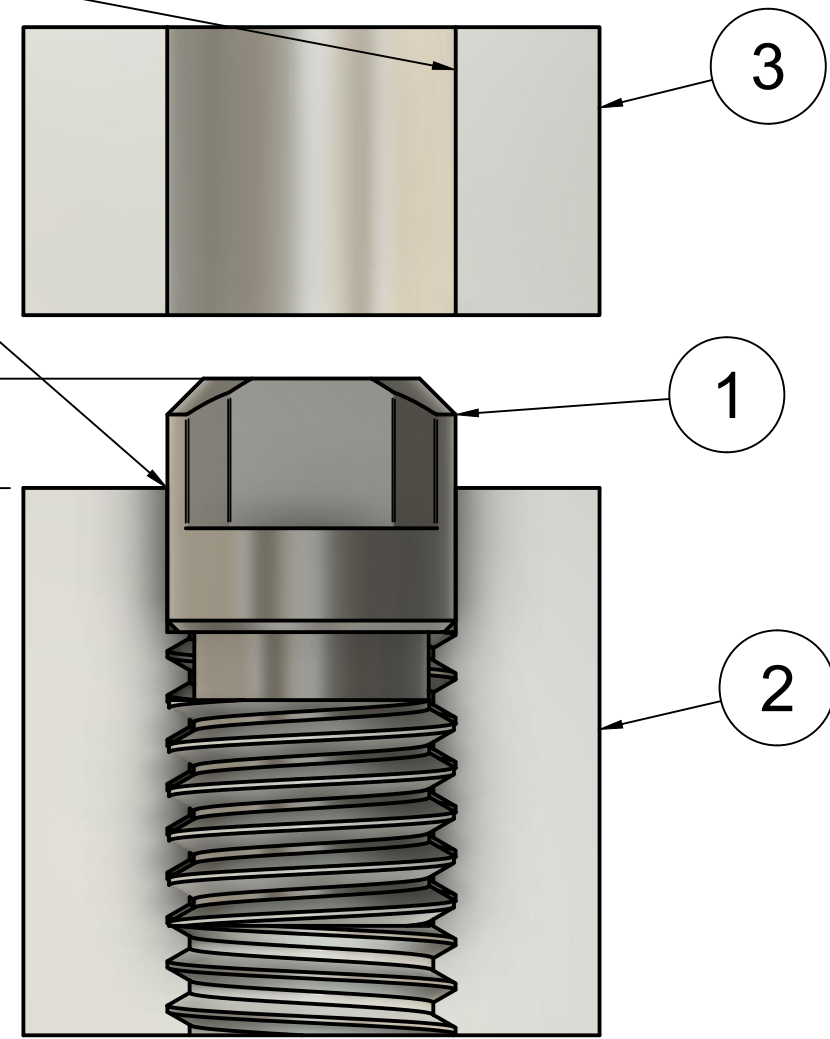
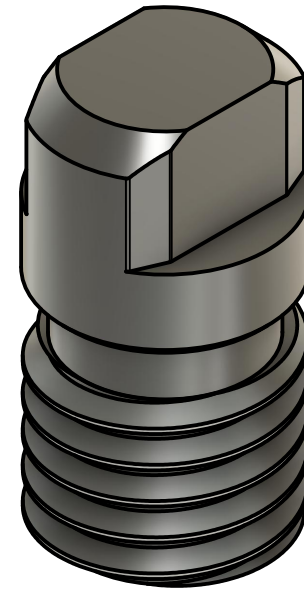


Ø0.5005 ± 0.0002
RECOMMENDED BORE Ø

└┐Ø0.5005 ± 0.0002 √ 0.25
SMW FIXTURE PLATE CBORE Ø
(RECOMMENDED Ø FOR CUSTOM FIXTURES)

0.190
MIN STICKOUT
WITH SMW FIXTURE PLATE



| PARTS LIST | |
|------------|-----------------------|
| ITEM | PART NUMBER |
| 1 | SMW 1/2" PIN |
| 2 | FIXTURE PLATE CUTAWAY |
| 3 | PALLET CUTAWAY |



PROJECT
Saunders Machine Works

TITLE
**1/2" Fixturing Pin
Critical Dimensions & Tolerances**

| | | | | |
|------------------------------|-----------|--------|-----------|-----|
| APPROVED | SIZE | CODE | DWG NO | REV |
| CHECKED | B | | | 2 |
| DRAWN Alex Pinson 12/19/2023 | SCALE 1:1 | WEIGHT | SHEET 1/1 | |

ALL DIMENSIONS IN INCHES