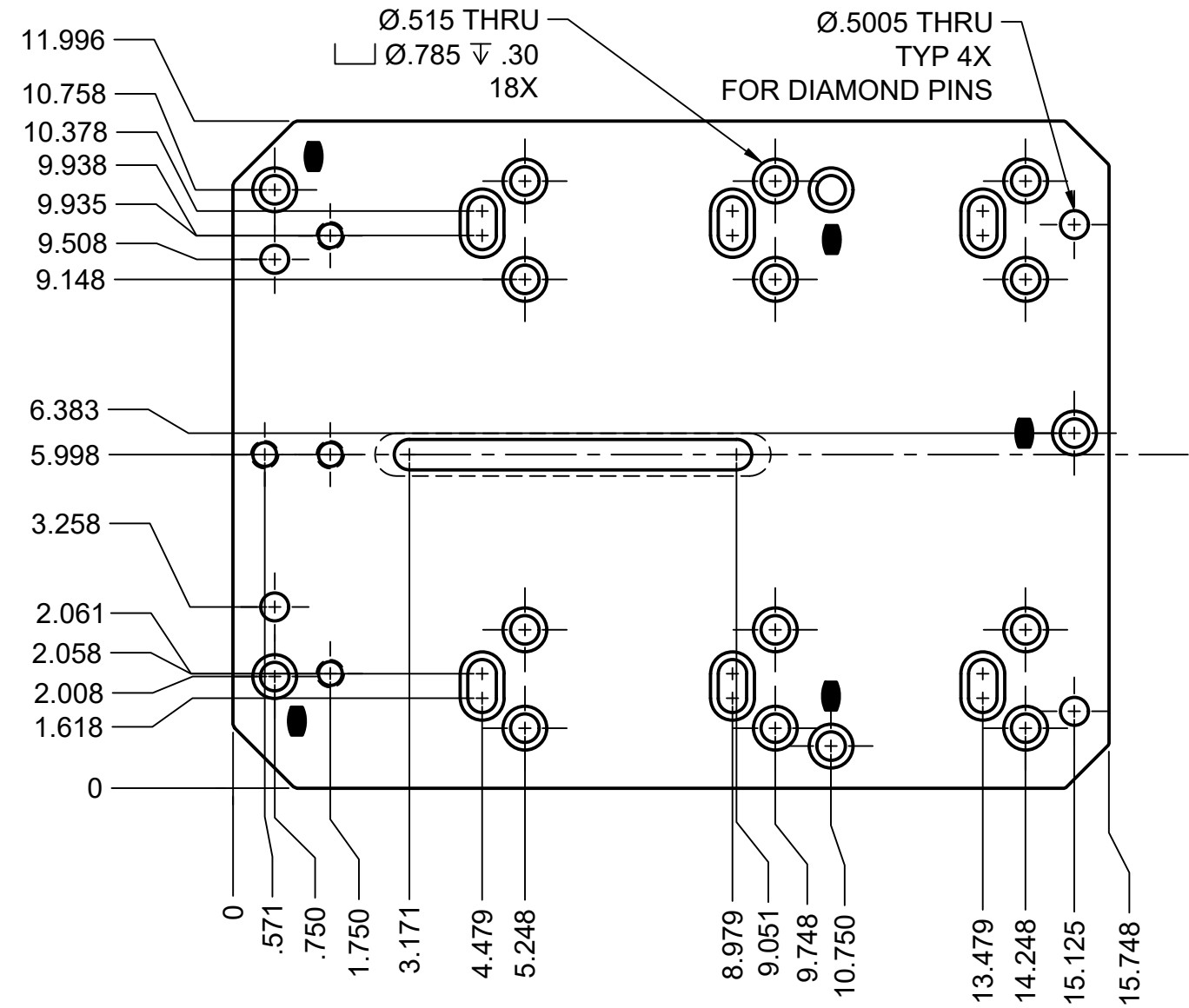
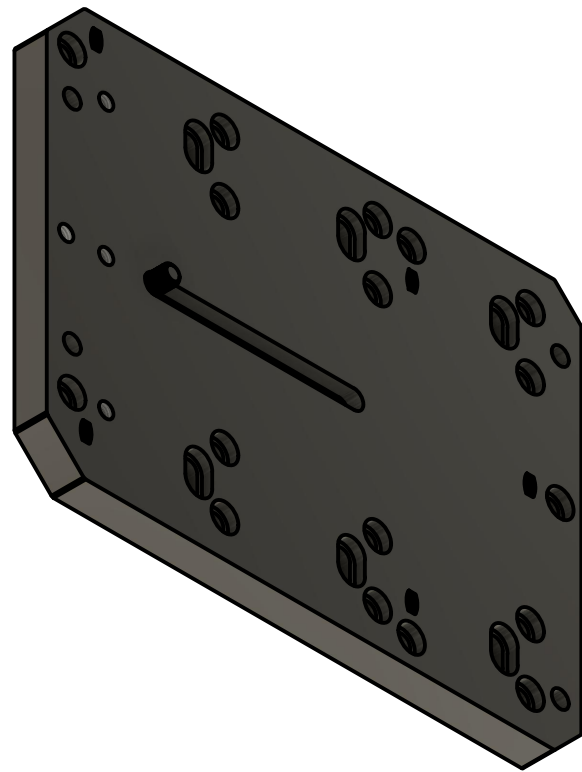


1/2-13 Hex Head Bolt (with 3/4 head)
held captive in slot so nut can be
threaded on from top of subplate
to mount trunnion/rotary table



ADDITIONAL 1/2-13" THREADED HOLES MAY BE ADDED
FOR USE IN THE MANUFACTURING PROCESS