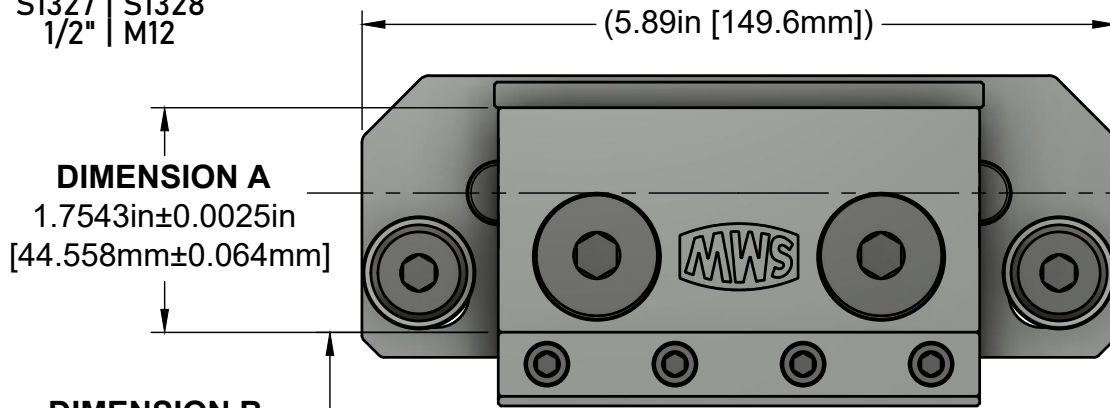


Gen3 Modular Vise

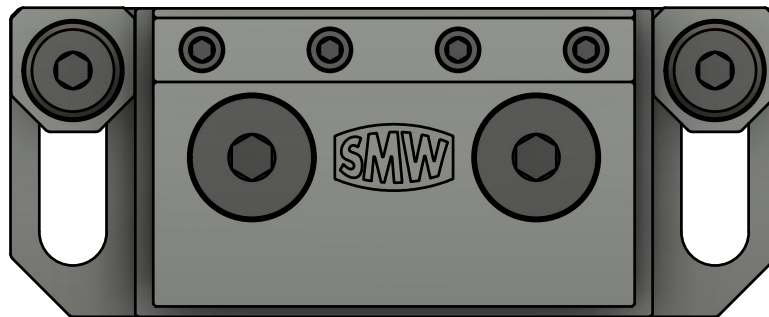
S1327 | S1328
1/2" | M12



DIMENSION A
1.7543in±0.0025in
[44.558mm±0.064mm]

DIMENSION B

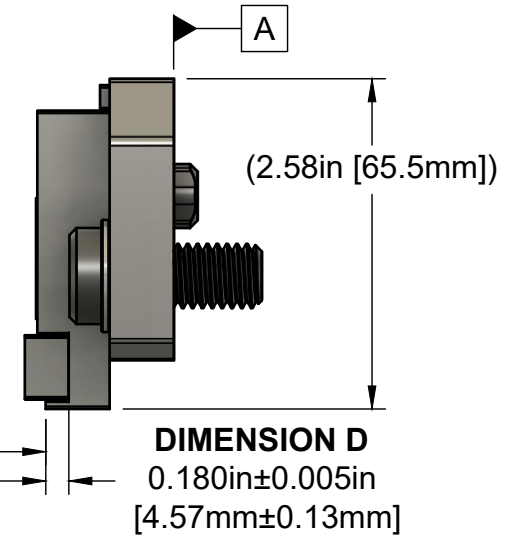
∥ 0.0006 | B



B

DIMENSION E

∥ 0.001 | A

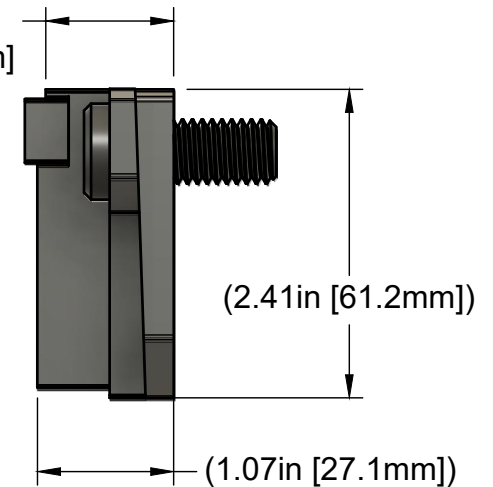


DIMENSION D

0.180in±0.005in
[4.57mm±0.13mm]

DIMENSION C

1.000in±0.001in
[25.400mm±0.025mm]



KEY:

Dim. A: Controls the jaw alignment when 2+ vises are used side-by-side*

Dim. B: Controls the tram of the vise jaw relative to the fixture plate hole pattern*

Dim. C: This is the height of the built-in parallels above the fixture plate

Dim. D: Sets the max height of the jaw hardware (Reversible Jaw Insert, Castle Grip, etc.) above the built-in parallel

Dim. E: Controls the parallelism of the built-in parallel to the top of the fixture plate

*These tolerances subject to minor differences in alignment pin & fixture plate hole fit. For best results vise should be pushed back when tightening to ensure both pins are touching the back side of the subplate bore.

