

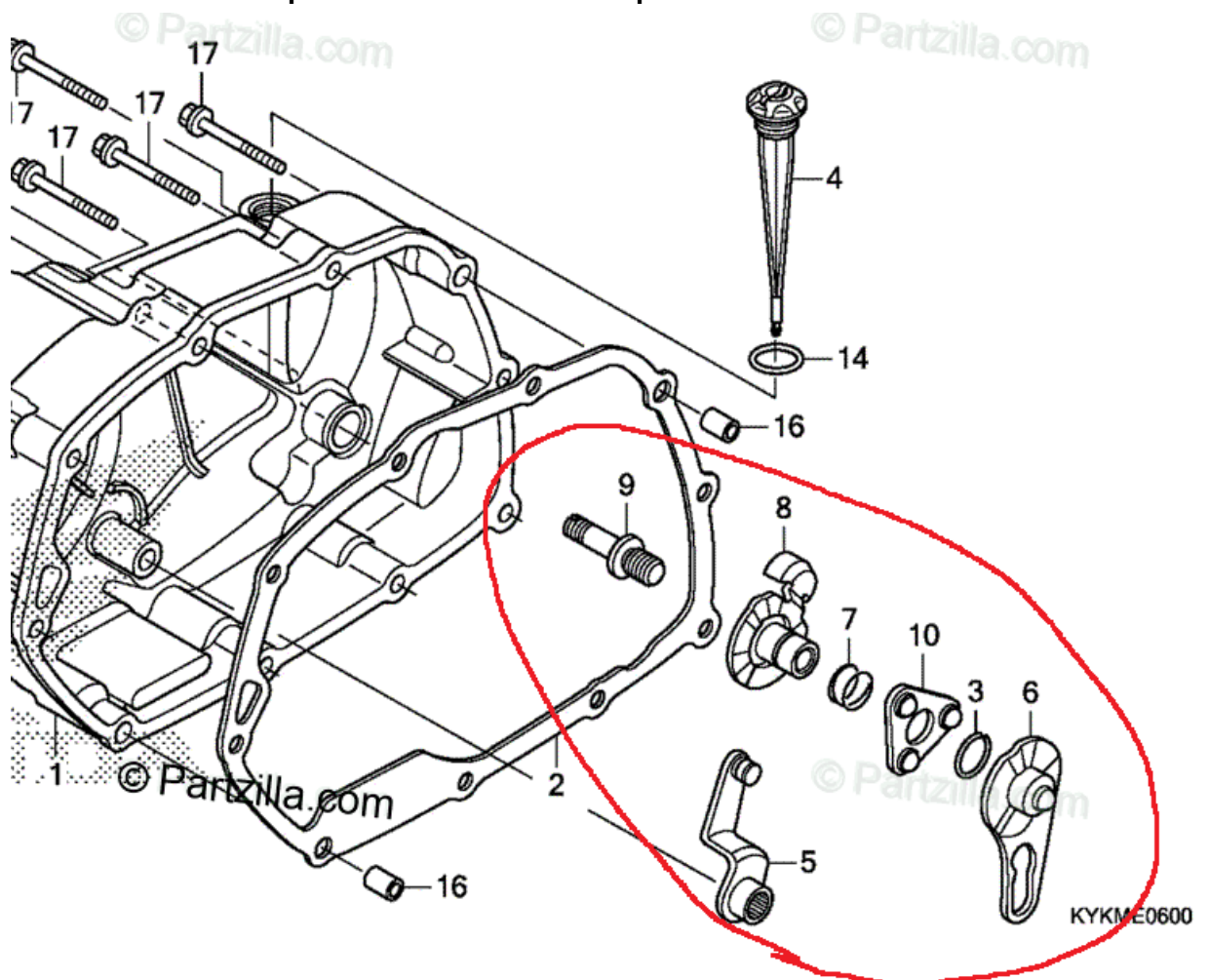
Avail CRF110 Hydraulic Clutch Installation

Release of Liability

As the purchaser, I understand that the installation of any such parts on my motorcycle may invalidate the original manufacturer's warranty, if any that might otherwise cover my motorcycle. I represent and warrant to Avail Motorsports upon purchase that I will not use a vehicle equipped with these parts on any public street, road or highway, regardless of location and further, that the vehicle equipped with these parts will only be used lawfully on racing/off-road track when authorized to do so.

Upon purchase, I hereby release, wave, and discharge any right I have to sue Avail Motorsports, but not limited to it's respective directors, officers, agents, employees, predecessors, parents, subsidiaries and affiliated entities, partners, dealers/distributors, successors and assigns, past and present, from any and all liability, including without limitation, claims for personal injury and/or death, emotional distress, loss of use of the motorcycle, vehicle, property damage, misrepresentation, negligence, fraud, attorney fees, costs and expenses or any other claim that may arise herein, whether known or unknown or suspected.

1. Remove clutch cover from engine
2. Remove clutch lifter plate and associated components circled below



3. Install slave cylinder inside clutch cover

Appropriate O-ring needs placed on backside of slave cylinder prior to install.



Tang on slave cylinder must be indexed inside marked recess inside clutch cover.



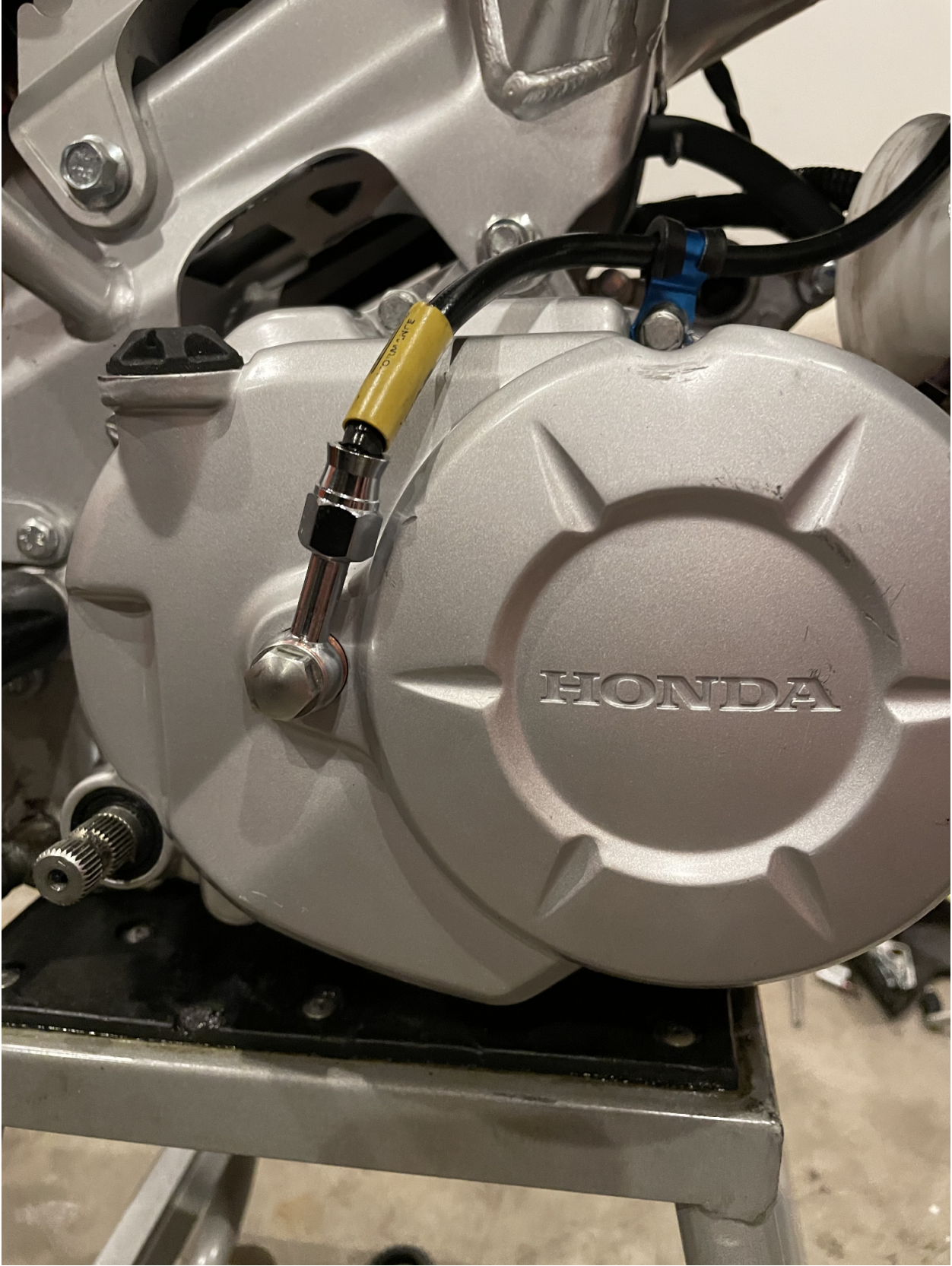
4. Install line

Copper washers and O-ring should be installed in this order. You will re-use the OEM washer that was on your clutch cover from factory. Banjo bolt has been specially designed with tight tolerance inside OEM cover and banjo fitting to avoid vibrating loose– may require effort to insert in cover and banjo depending on brand.



5. Assemble and install cover

Banjo bolt should be torqued down with slave cylinder held by hand inside cover until tight. Install cover back on engine and install the rest of your components such as master cylinder in preparation to bleed system. It is recommended using p-clip on M6 cover bolt to secure line away from exhaust.



6. Bleed system

It is recommended to bench bleed master cylinder and line prior to install. DOT5 fluid is recommended for longevity of O-rings. Pump master cylinder multiple times and hold, crack the banjo bolt on side of engine case until air and fluid escapes and tighten before pumping master cylinder once again. Repeat until air is no longer escaping from banjo bolt and bubbles are not seen rising from master cylinder. Confirm operation of clutch prior to operating motorcycle.

Watch our tips and tricks for bleeding this kit:

<https://www.youtube.com/watch?v=KWMp0wd6gbg>