

R-SERIES ROTOMOLDED LOUNGER

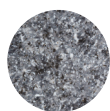


R
SERIES™

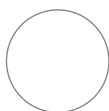


Shown in White

COLOR OPTIONS



GRAY GRANITE
-24



WHITE
-2



SANDSTONE
-23



TAUPE
-10

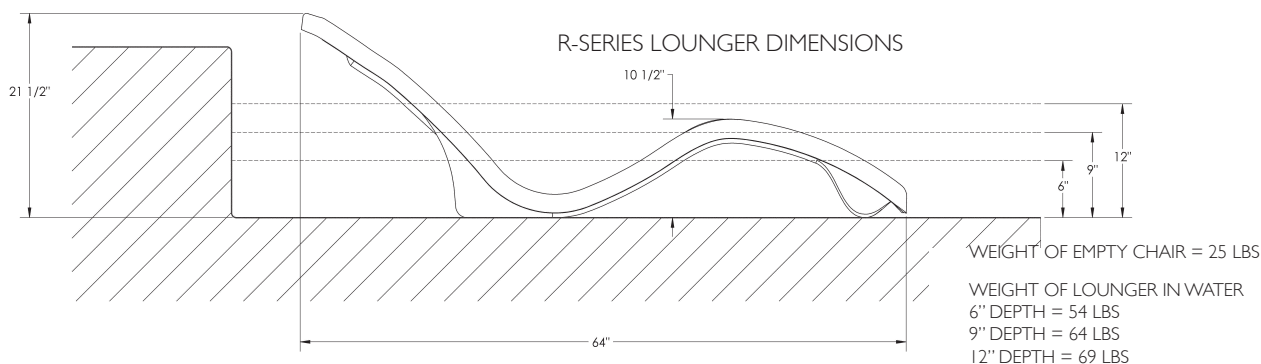


GRAY
-20

The R-Series™ Rotomolded Lounger lets you relax and enjoy the pool without a splash. Design elegance and sturdy construction combine to give pool owners the opportunity to upgrade their sun shelf with ease. The R-Series design allows pool owners to easily drain the water and remove from the sun shelf when not in use.

- Perfect for residential or commercial use
- For use on sun ledges with water depths up to 12 inches
- High-quality rotomolded design
- UV protection to resist fading
- Compatible with all pool types
- Exclusive colors and visual textures
- Easy to drain and remove when not in use
- 2-Pack Loungers available
- Patent Pending
- Made in the USA

PART #	DESCRIPTION
RS-1-24	R-SERIES LOUNGER, GRAY GRANITE
RS-1-2	R-SERIES LOUNGER, WHITE
RS-1-23	R-SERIES LOUNGER, SANDSTONE
RS-1-10	R-SERIES LOUNGER, TAUPE
RS-1-20	R-SERIES LOUNGER, GRAY
RS-1-24-2PK	R-SERIES LOUNGER, GRAY GRANITE - 2-PACK
RS-1-2-2PK	R-SERIES LOUNGER, WHITE - 2-PACK
RS-1-23-2PK	R-SERIES LOUNGER, SANDSTONE - 2-PACK
RS-1-10-2PK	R-SERIES LOUNGER, TAUPE - 2-PACK
RS-1-20-2PK	R-SERIES LOUNGER, GRAY - 2-PACK



To ensure you have the most current version of this publication, please visit our website.



Official Distributor
 800-971-1442 |
 info@aquablumosaics.com
 www.AquaBluMosaics.com

S.R. Smith, LLC
 800.824.4387
 srsmith.com