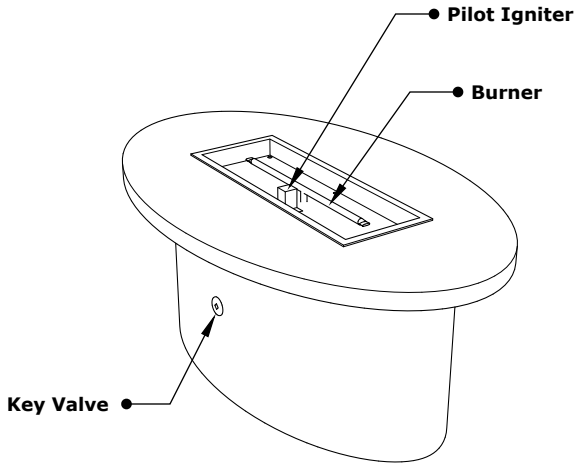
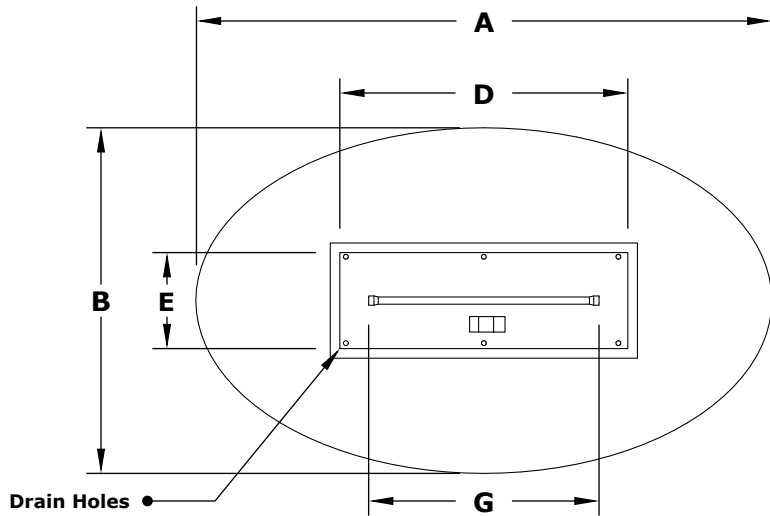


# VALLEJO FIRE TABLE

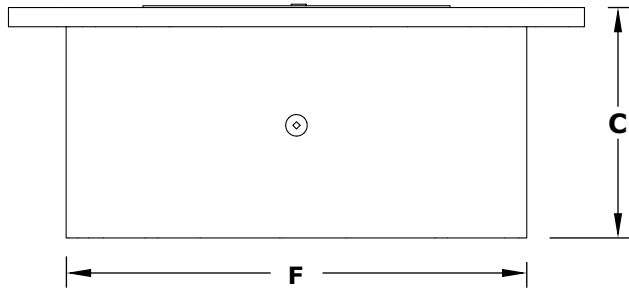
Hammered Copper, Corten Steel, Stainless Steel, Powder Coat



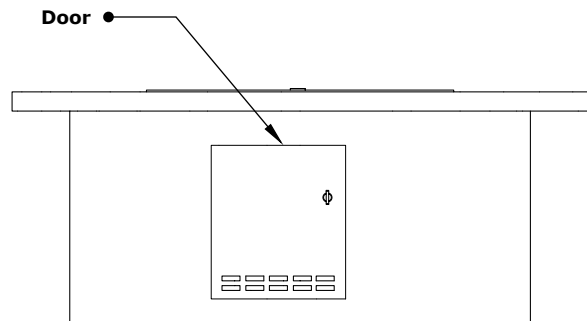
ISOMETRIC VIEW



TOP VIEW



BACK SIDE VIEW



FRONT SIDE VIEW

Hammered Copper	Corten Steel	Stainless Steel	Powder Coat	A	B	C	D	E	F	G	BTU
OPT-VALCPR60	OPT-VALCS60	OPT-VALSS60	OPT-VALPC60	60"	36"	24"	30"	10"	48"	24"	40,000
OPT-VALCPR72	OPT-VALCS72	OPT-VALSS72	OPT-VALPC72	72"	36"	24"	42"	10"	60"	36"	65,000

Fire Pit Material: Various Metals  
 Pan Material: 304 Stainless Steel  
 Burner Material: 304 Stainless Steel

Standard 1" Flange on all pans  
 Standard 2" Depth on all pans  
**110V ELECTRONIC IGNITION**  
 ANSI Z21.97-(2017) / CSA 2.41-(2017)



Match Lit Unit Includes: Pan, Burner, Gas Orifice, Gas Hoses, Key Valve, Key,  
 110v Ignition Unit Includes: Pan, Burner, Gas Orifice, Gas Hoses, Key Valve, Key, Plug & Play Electronic Valve, Pilot Igniter.

## AQUABLU

Official Distributor

(800) 971-1442

www.aquablumosaiics.com