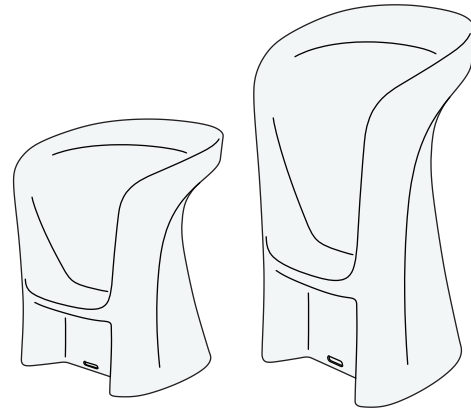




HOW TO SETUP SIGNATURE BARSTOOL



BEFORE YOU START

For fun and effective setup, prepare to get wet. Throw on your bathing suit, gather your setup materials and jump in!

REQUIRED TOOLS

No tools required! Just get ready to relax.

IMPORTANT NOTE

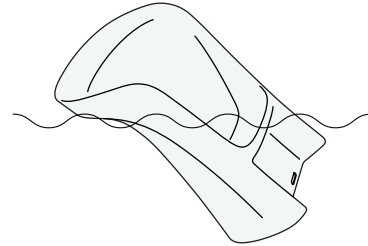
These instructions apply to Signature Barstool as well as the Signature Barstool Counter Height.

FOR USE IN-POOL

STEP 1: Carefully remove the Barstool from packaging and place on the pool's edge.

STEP 2: Gently toss or place the Barstool into the pool.

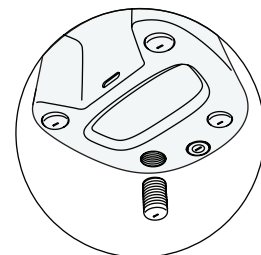
STEP 3: Allow Barstool to fill with water and sink to your pool floor unassisted. This process should take 2 minutes or less.



NOTE: The Barstool doesn't have to be the only thing being filled. Grab a cup and pour a drink while you wait!

STEP 4: Hop in the pool and reposition the Barstool in the desired area of your pool.

STEP 5: If necessary, lift and tilt Barstool to access the adjustable feet. Manually adjust by twisting in and out with your hand to level your Barstool with the slope of your pool floor.



STEP 6: Sit back and relax in water, in style. Take a photo, share it on social media and tag #LEDGELOUNGER

Alternate setup methods are not recommended. Please adhere to the guidelines outlined above to avoid scratching or damaging your Barstool.

REMOVAL FROM POOL

STEP 1: Carefully lift Barstool and carry toward your pool steps.

STEP 2: Once you reach your steps, gradually elevate the barstool allowing water to drain from the bottom. Slowly walk up as the barstool becomes lighter as it empties.

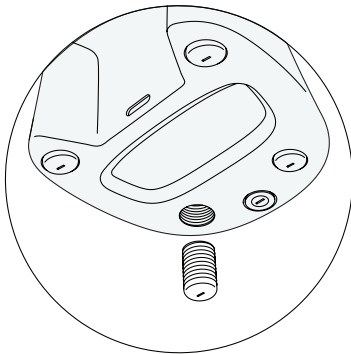
STEP 3: Once fully drained, carefully remove from the pool. Use caution to avoid scratching or damaging barstool.

Alternate removal methods are not recommended. Please adhere to the guidelines outlined above to avoid scratching or damaging your Barstool.

FOR USE OUT-OF-POOL

STEP 1: Carefully remove the Barstool from packaging and place it in your desired location.

STEP 2: If necessary, lift and tilt Barstool to access the adjustable feet. Manually adjust by twisting in a counterclockwise direction with your hand to level your Barstool with the slope of the ground.



When used out-of-pool, you do not need to fill Barstools with water.

Alternate installation setup methods are not recommended. Please adhere to the guidelines outlined above to avoid scratching or damaging your Barstool.

HELPFUL TIPS

Clean often to prevent calcium build up. You can extend the life of your fabric products by storing them in a clean, shaded place when not in use.

Always use caution when moving or rearranging your Ledge Lounger products to avoid scratching or damage.

If you need Umbrella spacers or additional plugs, contact us via the contact form on our website.

For more tips please visit ledgeloungers.com/faq

PRODUCT CARE

Your Ledge Lounger is made of ultra durable, high quality materials. It is designed for the pool environment and resistant to sun, weather, and the reasonable chemical levels of a well maintained pool. We encourage you to leave your Ledge Lounger in the pool even when not in use.

However, when adding shock or other highly concentrated chemicals to your pool, remove all Ledge Lounger products, and return to the pool only once chemical levels are back to normal.

In the event of a freeze, please remove your Ledge Lounger products from the water, drain, and store in a safe location.

CLEANING YOUR FURNITURE

Always use a soft bristle brush or cloth when cleaning your Ledge Lounger furniture. For routine cleaning, just use water.

For a deeper clean, remove from the pool and use a mild household cleaner or a Magic Eraser.

Depending on the calcium levels of your pool, you may notice a white powder like coating develop on your furniture. If this occurs, we recommend cleaning it with CLR Calcium, Lime and Rust Remover.

YOU INSPIRE US. MARCO! POLO! YOUR TURN...

#LEDGELOUNGER