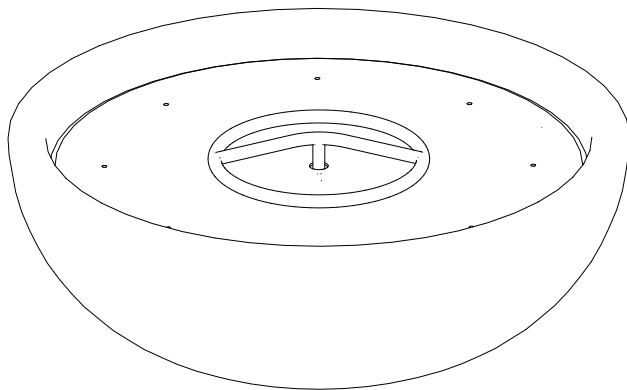
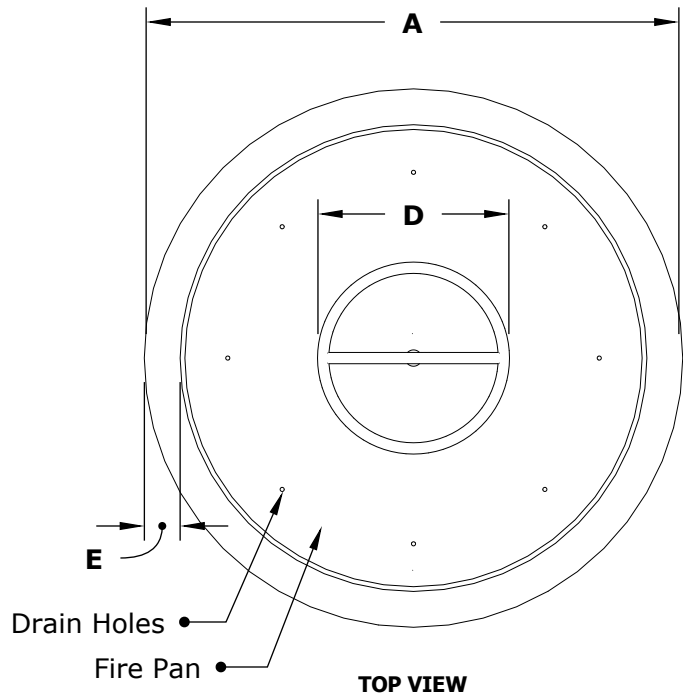


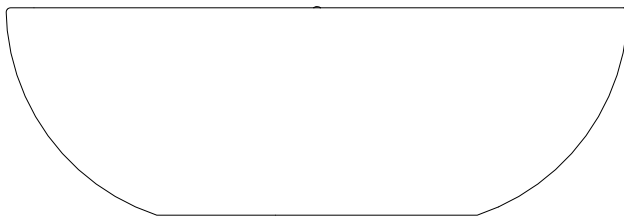
SEDONA FIRE BOWL- GFRC CONCRETE



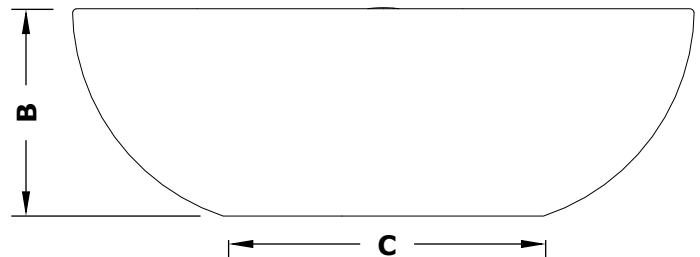
ISOMETRIC VIEW



TOP VIEW



RIGHT SIDE VIEW



FRONT SIDE VIEW

SKU	A	B	C	D	E	BTU
OPT-27RFO	27"	10"	12"	8"	2.5"	45,000
OPT-33RFO	33"	11"	18"	12"	2.5"	65,000
OPT-27RFOE12V	27"	10"	12"	8"	2.5"	45,000
OPT-33RFOE12V	33"	11"	18"	12"	2.5"	65,000

Fire Bowl Material: GFRC Concrete
 Pan Material: 304 Stainless Steel
 Burner Material: 304 Stainless Steel

12V ELECTRONIC IGNITION
 ANSI Z21.97-(2017) / CSA 2.41-(2017)

Includes: Pan, Burner, Whistle Free Hose, Black Lava Rock.

