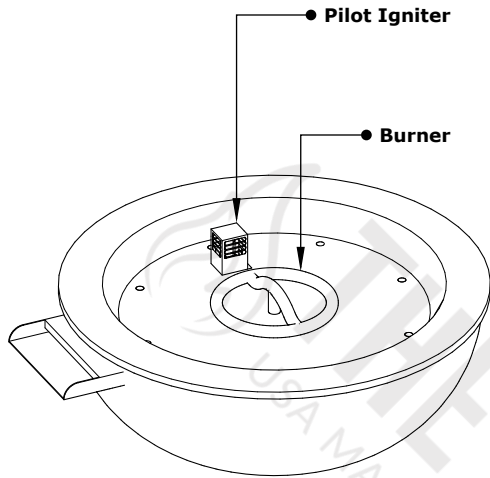
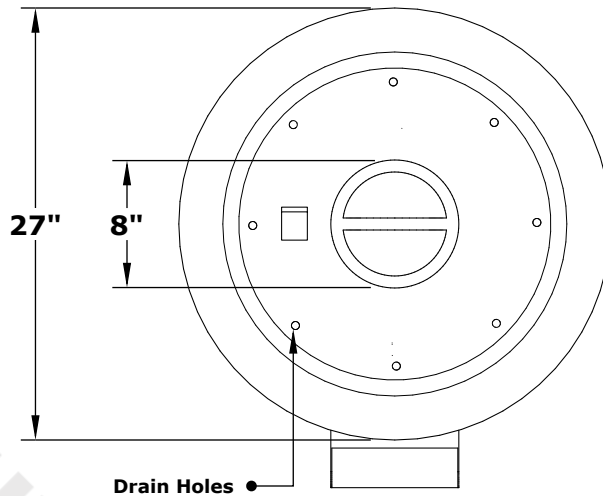


SEDONA POWDER COAT FIRE & WATER BOWL

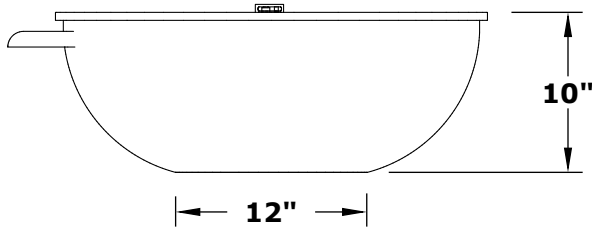
BTU OUTPUT: 45,000
GPM: 7-10



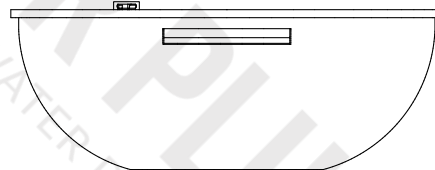
ISOMETRIC VIEW



TOP VIEW



RIGHT SIDE VIEW



FRONT SIDE VIEW

Bowl Material: Galvanized Steel
Pan Material: 304 Stainless Steel
Burner Material: 304 Stainless Steel
Standard 2" Depth on all pans

12 ELECTRONIC IGNITION

ANSI Z21.97-(2017) / CSA 2.41-(2017)



c US

Match Lit Unit Includes: Pan, Burner, Gas Orifice, Gas Hoses, Key Valve, Key,

110v Ignition Unit Includes: Pan, Burner, Gas Orifice, Gas Hoses, Key Valve, Key, Plug & Play Electronic Valve, Pilot Igniter.

Drawn By	Murguia M.
Date Created	August 5, 2021

Proprietary & Confidential: The information contained in this drawing is the sole property of **The Outdoor Plus**. Any reproduction or as a whole without written permission of **The Outdoor Plus** is prohibited.



Official Distributor

800-971-1442 | orders@aquablumosaics.com
www.AquaBluMosaics.com