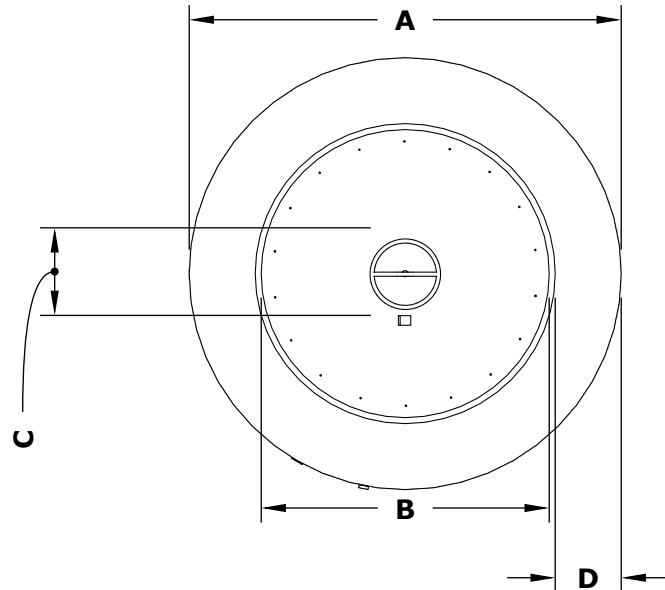
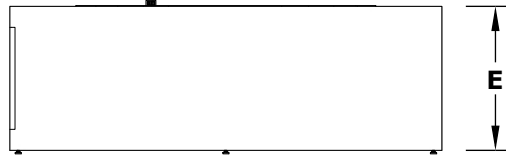


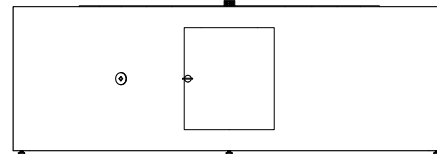
ISOMETRIC VIEW



TOP VIEW



RIGHT SIDE VIEW



FRONT SIDE VIEW

Hammered Copper	Corten Steel	Stainless Steel	Powder Coat	A	B	C	D	E	BTU
OPT-UNYCP48	OPT-RCRTN48	OPT-UNYSS48	OPT-UNYPC48	48"	24"	12"	12"	24"	65,000

Fire Pit Material: Various Metals
 Pan Material: 304 Stainless Steel
 Burner Material: 304 Stainless Steel
 Standard 1" Flange on all pans
 Standard 2" Depth on all pans

110V ELECTRONIC IGNITION
 ANSI Z21.97-(2017) / CSA 2.41-(2017)

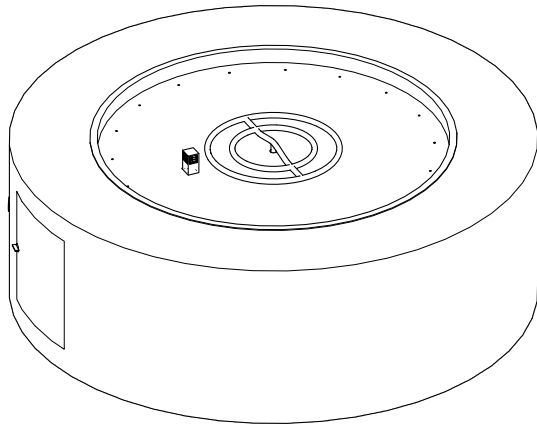


Match Lit Unit Includes: Pan, Burner, Gas Orifice, Gas Hoses, Key Valve, Key,

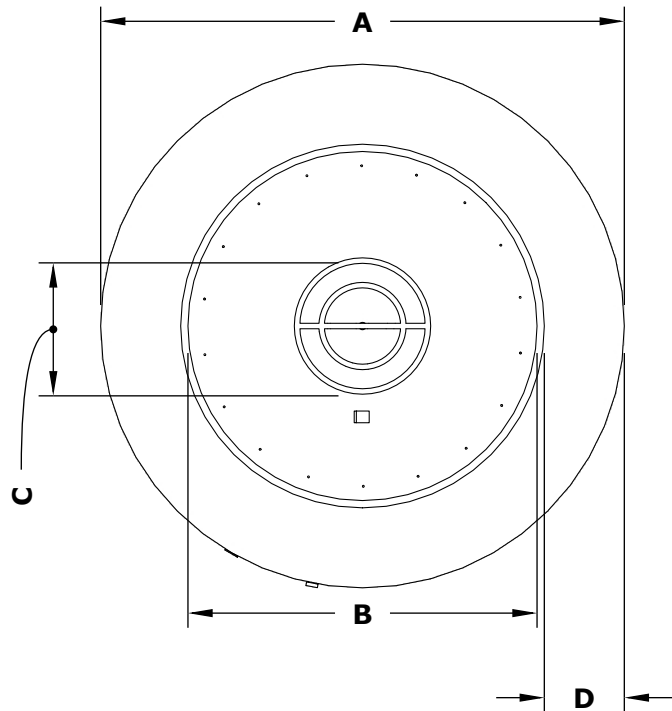
110v Ignition Unit Includes: Pan, Burner, Gas Orifice, Gas Hoses, Key Valve, Key, Plug & Play Electronic Valve, Pilot Igniter.

Drawn By	Murguia M.
Date Created	May 24, 2021

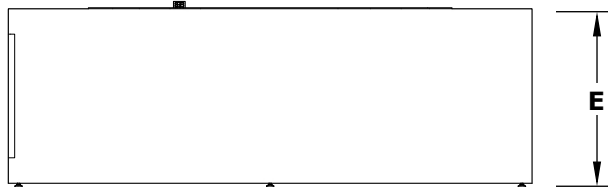
Unity Fire Pit 60"



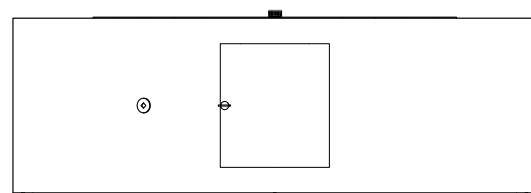
ISOMETRIC VIEW



TOP VIEW



RIGHT SIDE VIEW



FRONT SIDE VIEW

Hammered Copper	Corten Steel	Stainless Steel	Powder Coat	A	B	C	D	E	BTU
OPT-UNYCP60	OPT-RCRTN60	OPT-UNYSS60	OPT-UNYPC60	60"	36"	18"	12"	24"	190,000

Fire Pit Material: Various Metals
 Pan Material: 304 Stainless Steel
 Burner Material: 304 Stainless Steel
 Standard 1" Flange on all pans
 Standard 2" Depth on all pans

110V ELECTRONIC IGNITION
 ANSI Z21.97-(2017) / CSA 2.41-(2017)

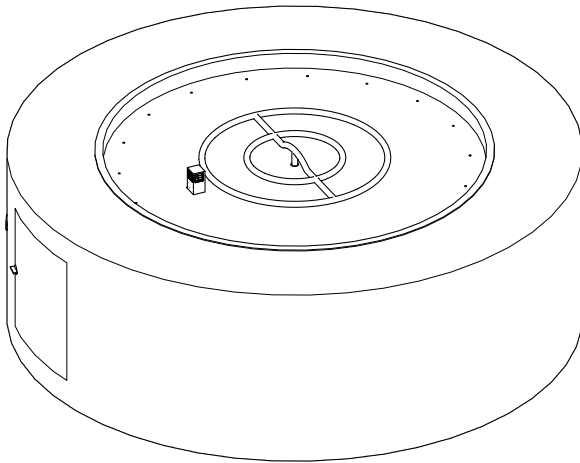


Match Lit Unit Includes: Pan, Burner, Gas Orifice, Gas Hoses, Key Valve, Key,

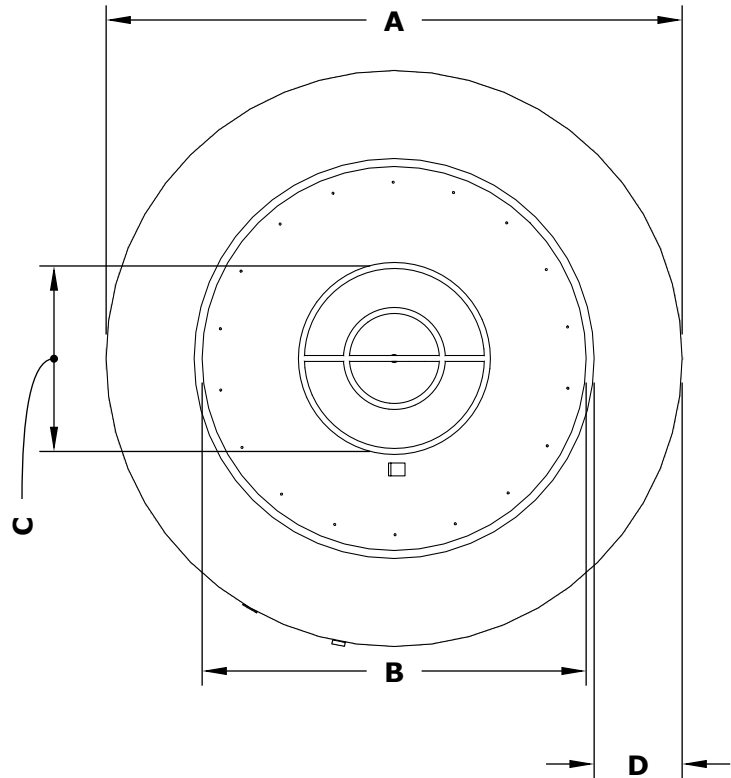
110v Ignition Unit Includes: Pan, Burner, Gas Orifice, Gas Hoses, Key Valve, Key, Plug & Play Electronic Valve, Pilot Igniter.

Drawn By	Murguia M.
Date Created	May 24, 2021

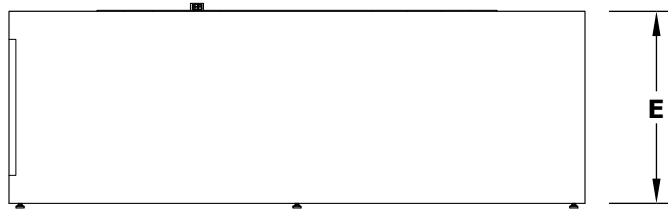
Unity Fire Pit 72"



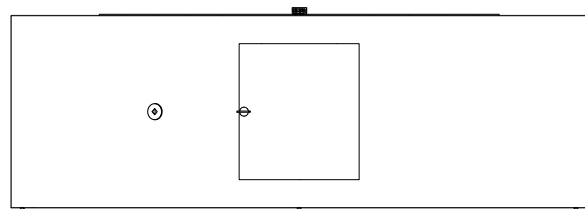
ISOMETRIC VIEW



TOP VIEW



RIGHT SIDE VIEW



FRONT SIDE VIEW

Hammered Copper	Corten Steel	Stainless Steel	Powder Coat	A	B	C	D	E	BTU
OPT-UNYCP72	OPT-RCRTN72	OPT-UNYSS72	OPT-UNTPC72	72"	43"	24"	12"	24"	330,000

Fire Pit Material: Various Metals
 Pan Material: 304 Stainless Steel
 Burner Material: 304 Stainless Steel
 Standard 1" Flange on all pans
 Standard 2" Depth on all pans

110V ELECTRONIC IGNITION
 ANSI Z21.97-(2017) / CSA 2.41-(2017)



Match Lit Unit Includes: Pan, Burner, Gas Orifice, Gas Hoses, Key Valve, Key,

110v Ignition Unit Includes: Pan, Burner, Gas Orifice, Gas Hoses, Key Valve, Key, Plug & Play Electronic Valve, Pilot Igniter.

Drawn By	Murguia M.
Date Created	May 24, 2021