

2021 POOL PRODUCT GUIDE



Verona



PRISM HARDSCAPES

Outdoor Living Products



Official Distributor

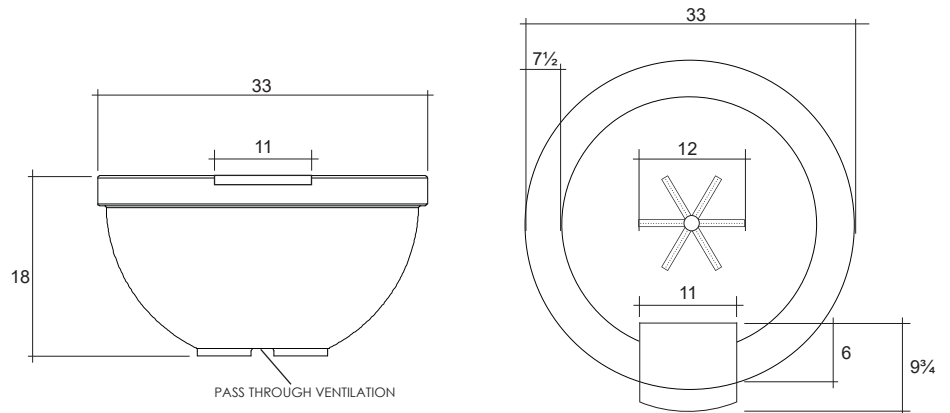
800-971-1442 | orders@aquablumosaics.com

www.AquaBluMosaics.com

Sorrento

SPECIFICATIONS

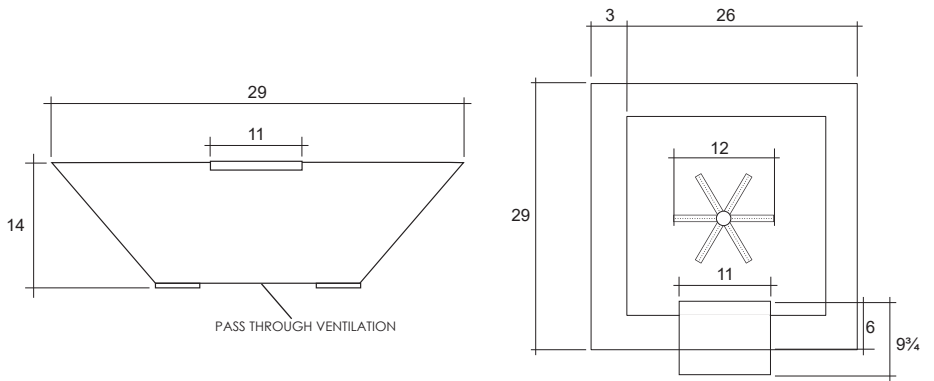
Diameter	33"
Height	18"
Water Flow	15 GPM
Connection	¾" NPT
Burner Size	12" 6-spoke/65,000-85,000 BTUs (ML/E)
Weight	196 lbs.
Fuel Source	Liquid Propane or Natural Gas
Ignition	PH-Ignite (Electronic)/Key Valve (match lite)
Material	Glass fiber reinforced concrete
Media	Lava rock



Lombard-P

SPECIFICATIONS

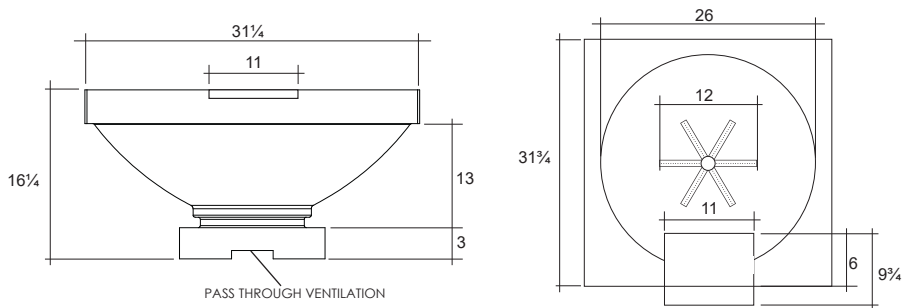
Length/Width	29"
Height	14"
Water Flow	15 GPM
Connection	¾" NPT
Burner Size	12" 6-spoke/65,000-85,000 BTUs (ML/E)
Weight	90 lbs.
Fuel Source	Liquid Propane or Natural Gas
Ignition	PH-Ignite (Electronic)/Key Valve (match lite)
Material	Glass fiber reinforced concrete
Media	Lava rock



Ibiza

SPECIFICATIONS

Length/Width	31 ¼"
Height	16 ¼"
Water Flow	15 GPM
Connection	¾" NPT
Burner Size	12" 6-spoke/65,000-85,000 BTUs (ML/E)
Weight	176 lbs.
Fuel Source	Liquid Propane or Natural Gas
Ignition	PH-Ignite (Electronic)/Key Valve (match lite)
Material	Glass fiber reinforced concrete
Media	Lava rock

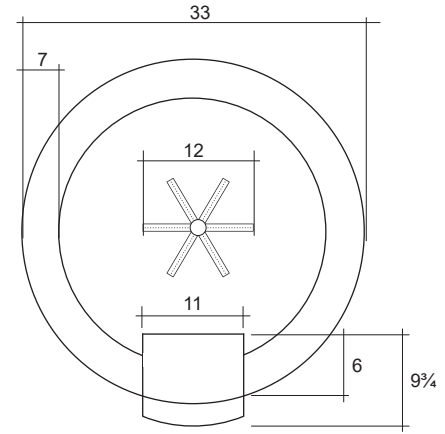
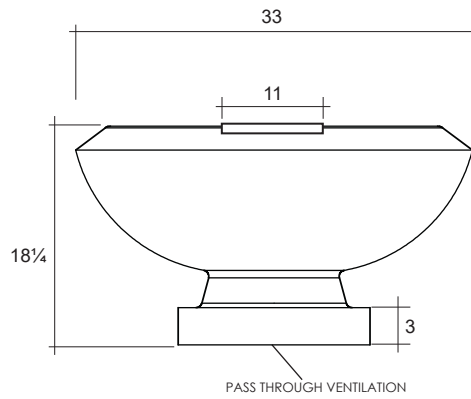


We believe in spaces that are designed for living, making memories, and enjoying life.

Toscano

SPECIFICATIONS

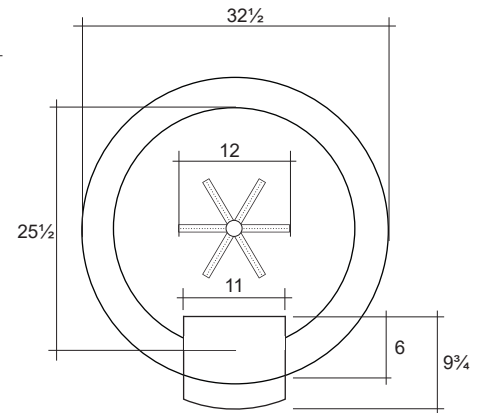
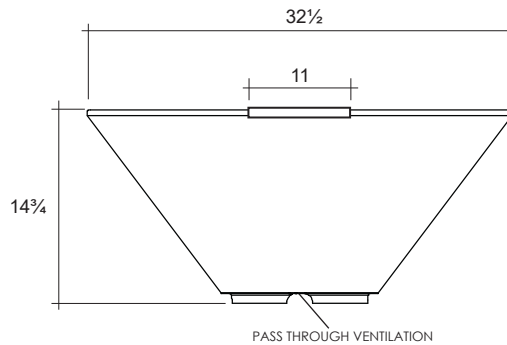
Diameter	33"
Height	18 $\frac{1}{4}$ "
Water Flow	15 GPM
Connection	$\frac{3}{4}$ " NPT
Burner Size	12" 6-spoke/65,000-85,000 BTUs (ML/E)
Weight	180 lbs.
Fuel Source	Liquid Propane or Natural Gas
Ignition	PH-Ignite (Electronic)/Key Valve (match life)
Material	Glass fiber reinforced concrete
Media	Lava rock



Verona

SPECIFICATIONS

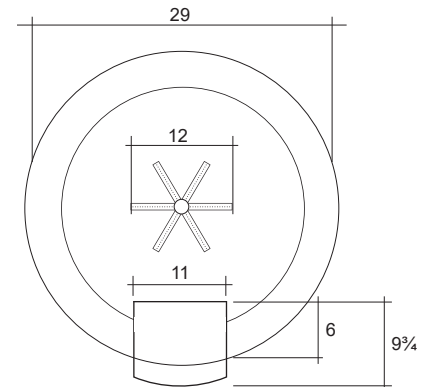
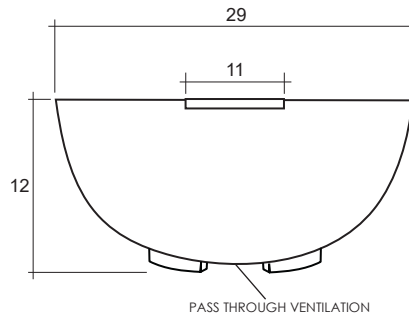
Diameter	32 $\frac{1}{2}$ "
Height	14 $\frac{3}{4}$ "
Water Flow	15 GPM
Connection	$\frac{3}{4}$ " NPT
Burner Size	12" 6-spoke/65,000-85,000 BTUs (ML/E)
Weight	140 lbs.
Fuel Source	Liquid Propane or Natural Gas
Ignition	PH-Ignite (Electronic)/Key Valve (match life)
Material	Glass fiber reinforced concrete
Media	Lava rock



Moderno 2-P

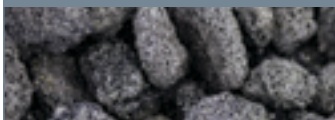
SPECIFICATIONS

Diameter	29"
Height	12"
Water Flow	15 GPM
Connection	$\frac{3}{4}$ " NPT
Burner Size	12" 6-spoke/65,000-85,000 BTUs (ML/E)
Weight	110 lbs.
Fuel Source	Liquid Propane or Natural Gas
Ignition	PH-Ignite (Electronic)/Key Valve (match life)
Material	Glass fiber reinforced concrete
Media	Lava rock



Fire Media

LAVA ROCK (Standard)



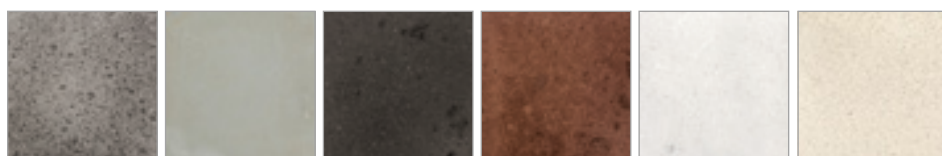
TUMBLED LAVA ROCK



FIRE GLASS



FIRE FEATURE COLOR OPTIONS



PEWTER

NATURAL

EBONY

CAFE

ULTRA

COASTAL

PH Ignite Electronic Ignition System

Hassle-Free Ignition, Zero Worries

12 VAC Inlet Power

Compliant with National Electrical code 2014, article 68.
May be installed within five feet of pool water.

Weatherproof/Anti-Corrosion Enclosure

Protects internal components from harsh weather and is built to last.

Electronic Ignition

Convenient fire feature lighting and instant flame monitoring.

Hot Surface Ignition

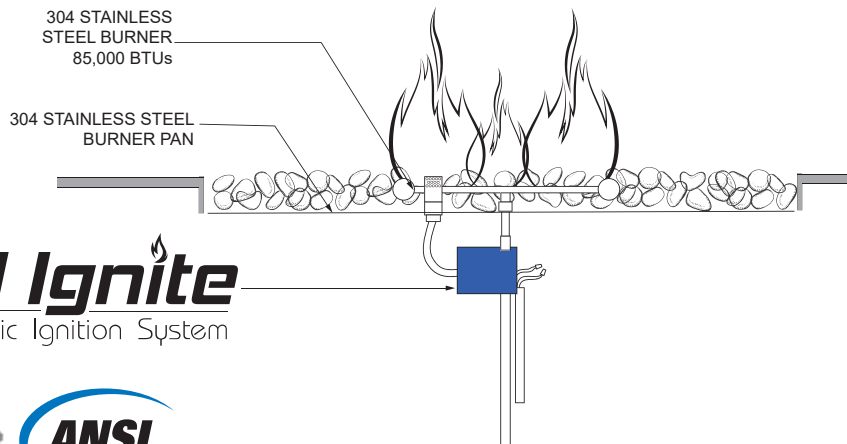
Robust and reliable ignition.

Waterproof Pilot Connector

Corrosion-proof electrical connection.

Compact Design

Conveniently fits into your fire feature.



PH Ignite
Electronic Ignition System

*Burner not included. System connects to existing fire feature burner.



This product complies with ANSI Z2197 standard.

Visionary designs coupled with handcrafted processes. The result?
One-of-a-kind creations.

Breaking ground on a new project is key, but planning before-hand is crucial. This means selecting products in different colors, shapes and sizes that will create the ideal outdoor living space to fit your lifestyle and vision. Let AquaBlu Mosaics help get you there.



Official Distributor

800-971-1442 | orders@aquablumosaics.com
www.AquaBluMosaics.com

