

2023 POOL PRODUCT GUIDE



PRISM
HARDSCAPES



Full Product Catalog

AQUABLU

Official Distributor

(800) 971 1442

www.aquablumosaics.com

Prism Hardscapes proudly presents the Poolside elements of a beautiful poolside area to outdoor living. The combination of fire and water that will dazzle the eyes and soothe the soul with the soothing sounds of falling water.

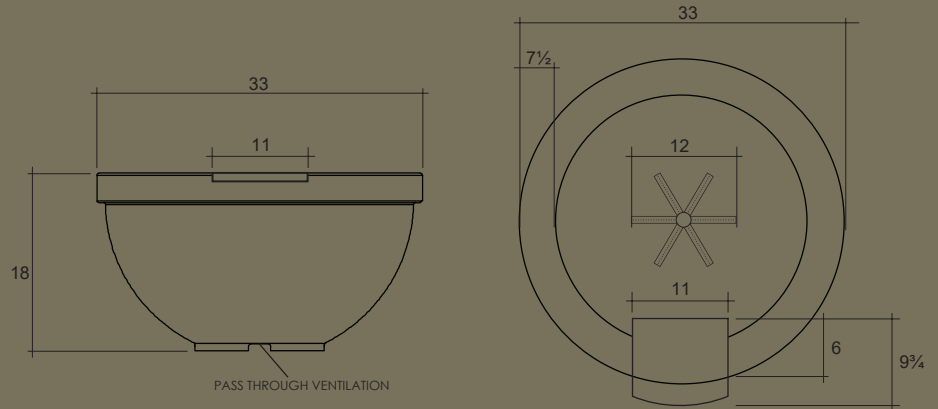


e Collection, a line of products that bring two
r living spaces. Live in the lap of luxury with
e the night and allow anyone to relax to the



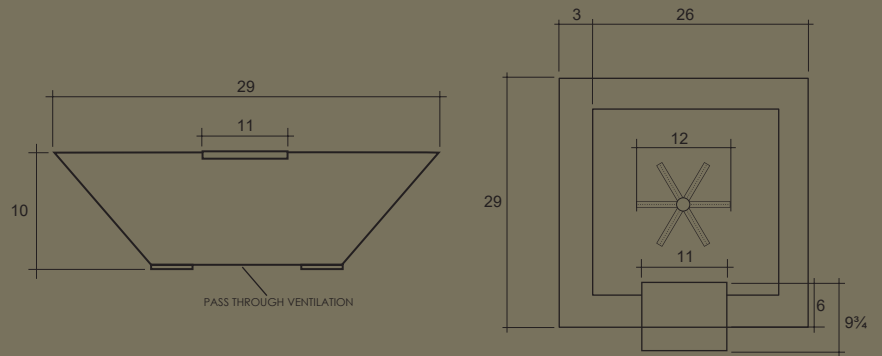
Sorrento

SPECIFICATIONS	
Diameter	33"
Height	18"
Water Flow	15 GPM
Connection	¾" NPT
Burner Size	12" 6-spoke/65,000-85,000 BTUs (ML/E)
Weight	196 lbs.
Fuel Source	Liquid Propane or Natural Gas
Ignition	PH-Ignite (Electronic)/Key Valve (match lite)
Material	Glass fiber reinforced concrete
Media	Lava rock



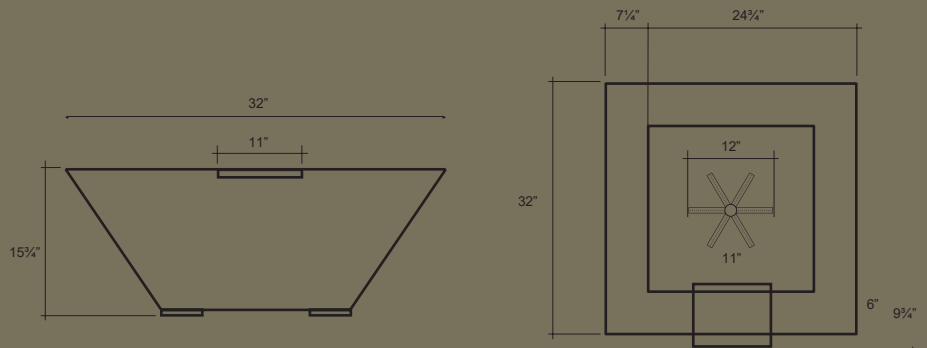
Lombard-P

SPECIFICATIONS	
Length/Width	29"
Height	10"
Water Flow	15 GPM
Connection	¾" NPT
Burner Size	12" 6-spoke/65,000-85,000 BTUs (ML/E)
Weight	90 lbs.
Fuel Source	Liquid Propane or Natural Gas
Ignition	PH-Ignite (Electronic)/Key Valve (match lite)
Material	Glass fiber reinforced concrete
Media	Lava rock



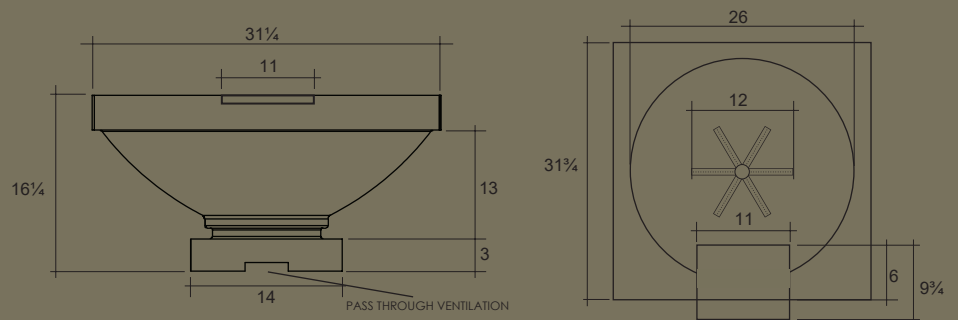
Lombard-P Tall

SPECIFICATIONS	
Length/Width	32"
Height	15 1/2"
Water Flow	15 GPM
Connection	¾" NPT
Burner Size	12" 6-spoke/65,000-85,000 BTUs (ML/E)
Weight	90 lbs.
Fuel Source	Liquid Propane or Natural Gas
Ignition	PH-Ignite (Electronic)/Key Valve (match lite)
Material	Glass fiber reinforced concrete
Media	Lava rock



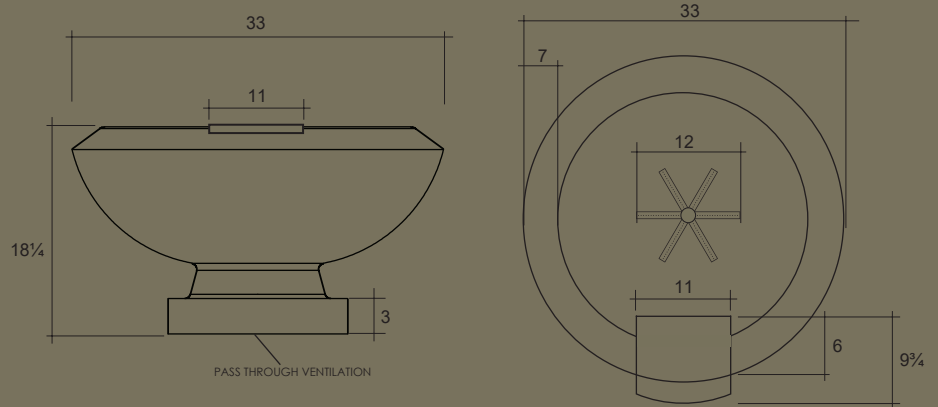
Ibiza

SPECIFICATIONS	
Length/Width	31 1/4"
Height	16 1/4"
Water Flow	15 GPM
Connection	¾" NPT
Burner Size	12" 6-spoke/65,000-85,000 BTUs (ML/E)
Weight	176 lbs.
Fuel Source	Liquid Propane or Natural Gas
Ignition	PH-Ignite (Electronic)/Key Valve (match lite)
Material	Glass fiber reinforced concrete
Media	Lava rock



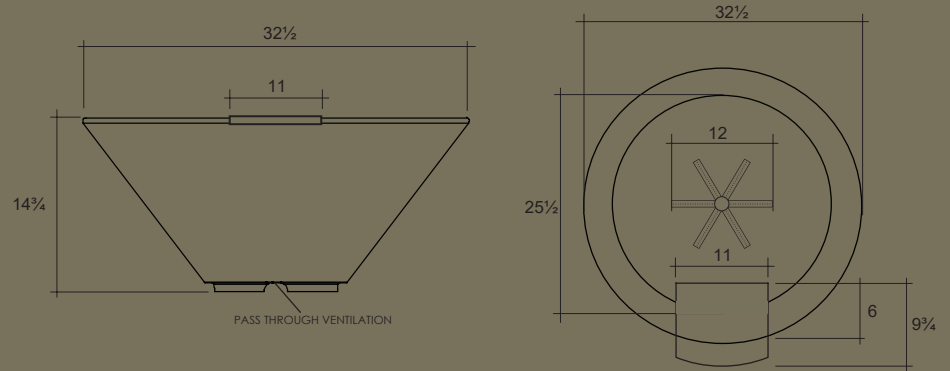
Toscano

SPECIFICATIONS	
Diameter	33"
Height	18 $\frac{1}{4}$ "
Water Flow	15 GPM
Connection	$\frac{3}{4}$ " NPT
Burner Size	12" 6-spoke/65,000-85,000 BTUs (ML/E)
Weight	180 lbs.
Fuel Source	Liquid Propane or Natural Gas
Ignition	PH-Ignite (Electronic)/Key Valve (match lite)
Material	Glass fiber reinforced concrete
Media	Lava rock



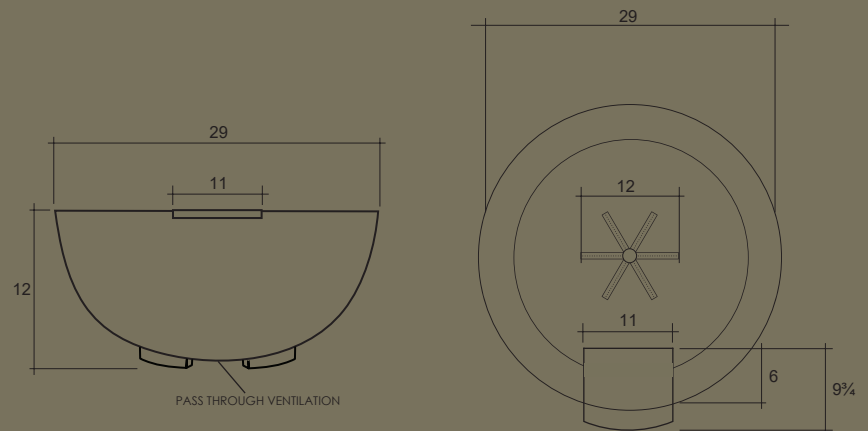
Verona

SPECIFICATIONS	
Diameter	32 $\frac{1}{2}$ "
Height	14 $\frac{3}{4}$ "
Water Flow	15 GPM
Connection	$\frac{3}{4}$ " NPT
Burner Size	12" 6-spoke/65,000-85,000 BTUs (ML/E)
Weight	140 lbs.
Fuel Source	Liquid Propane or Natural Gas
Ignition	PH-Ignite (Electronic)/Key Valve (match lite)
Material	Glass fiber reinforced concrete
Media	Lava rock



Moderno 2-P

SPECIFICATIONS	
Diameter	29"
Height	12"
Water Flow	15 GPM
Connection	$\frac{3}{4}$ " NPT
Burner Size	12" 6-spoke/65,000-85,000 BTUs (ML/E)
Weight	110 lbs.
Fuel Source	Liquid Propane or Natural Gas
Ignition	PH-Ignite (Electronic)/Key Valve (match lite)
Material	Glass fiber reinforced concrete
Media	Lava rock



Ibiza

We believe in spaces that are designed for living, making memories, and enjoying life.



Fire



Water



Fire & Water



Lombard-P Tall



Lombard-P



Verona



Ibiza



Moderno 2-P



Toscana



Sorrento

PH-Ignite Electronic Ignition System

SMART, SAFE, CONVENIENT

Hassle-Free Ignition, Zero Worries

12 VAC Inlet Power

Compliant with National Electrical code 2014, article 68.

May be installed within five feet of pool water.

Weatherproof/Anti-Corrosion Enclosure

Protects internal components from harsh weather and is built to last.

Electronic Ignition

Convenient fire feature lighting and instant flame monitoring.

Hot Surface Ignition

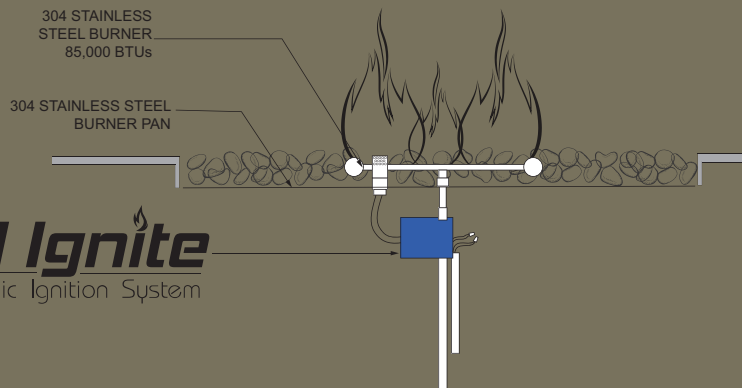
Robust and reliable ignition.

Waterproof Pilot Connector

Corrosion-proof electrical connection.

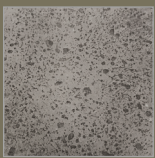
Compact Design

Conveniently fits into your fire feature.



PH Ignite
Electronic Ignition System

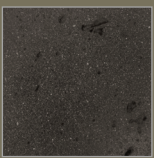
FIRE FEATURE COLOR OPTIONS



PEWTER



NATURAL



EBONY



CAFE



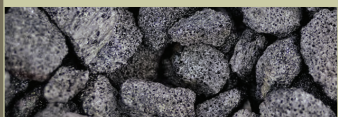
ULTRA



COASTAL

FIRE MEDIA OPTIONS

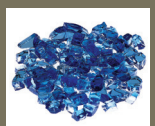
Lava Rock (Standard)



Tumbled Lava Rock



Fire Glass



Aqua



Black



Mist



Golden



Smoke



Azura



Bronze



AQUABLU

Official Distributor

(800) 971 1442

www.aquablumosaics.com