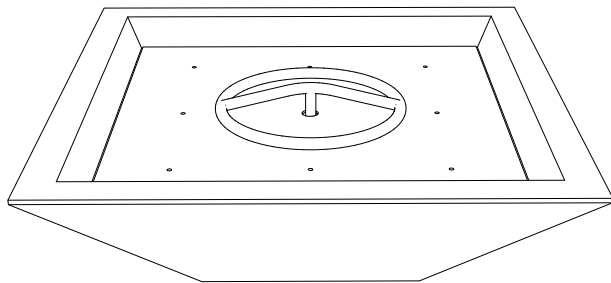
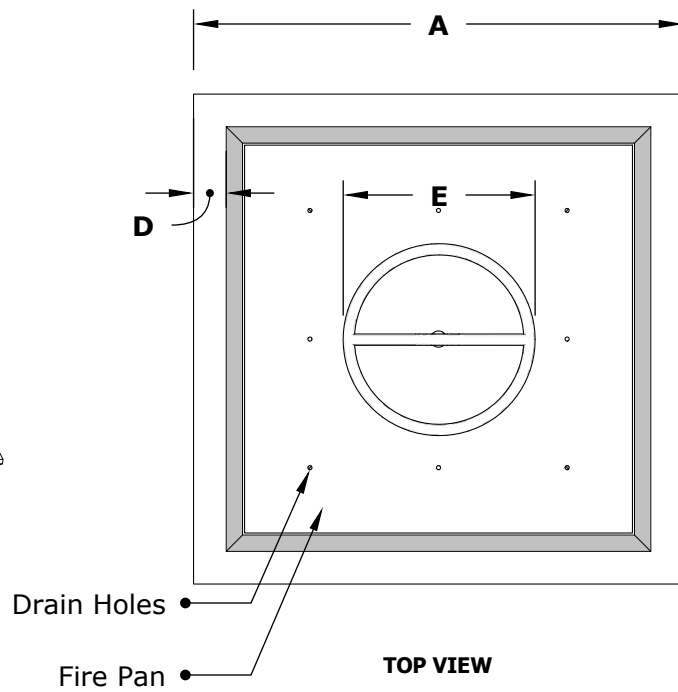


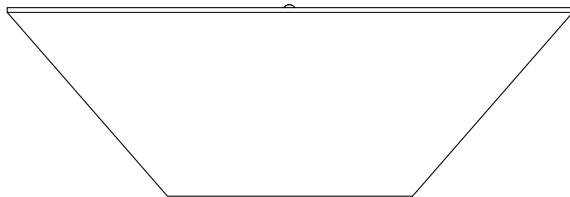
# MAYA FIRE BOWL- GFRC CONCRETE



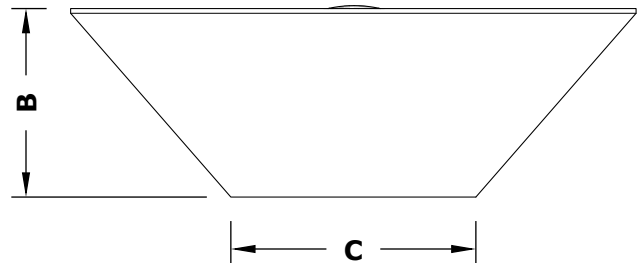
**ISOMETRIC VIEW**



**TOP VIEW**



**RIGHT SIDE VIEW**



**FRONT SIDE VIEW**

SKU	A	B	C	D	E	BTU
OPT-24SFO	24"	10.75"	13"	2"	8" Single Ring	45,000
OPT-30SFO	30"	10.25"	13"	2.5"	12" Single Ring	65,000
OPT-36SFO	36"	12"	20"	3"	12" Single Ring	65,000
OPT-24SFOE12V	24"	10.75"	13"	2"	8" Single Ring	45,000
OPT-30SFOE12V	30"	10.25"	13"	2.5"	12" Single Ring	65,000
OPT-36SFOE12V	36"	12"	20"	3"	12" Single Ring	65,000

Fire Bowl Material: GFRC Concrete  
 Finish: Smooth Finish  
 Pan Material: 304 Stainless Steel  
 Burner Material: 304 Stainless Steel

**12V ELECTRONIC IGNITION**  
 ANSI Z21.97-(2017) / CSA 2.41-(2017)



Includes: Pan, Burner, NG or LP orifice, Whistle Free Hose, Black Lava Rock.

**Proprietary & Confidential:** The information contained in this drawing is the sole property of *The Outdoor Plus*. Any reproduction or as a whole without written permission of *The Outdoor Plus* is prohibited.



Official Distributor

800-971-1442 | [orders@aquablumosaics.com](mailto:orders@aquablumosaics.com)  
[www.AquaBluMosaics.com](http://www.AquaBluMosaics.com)