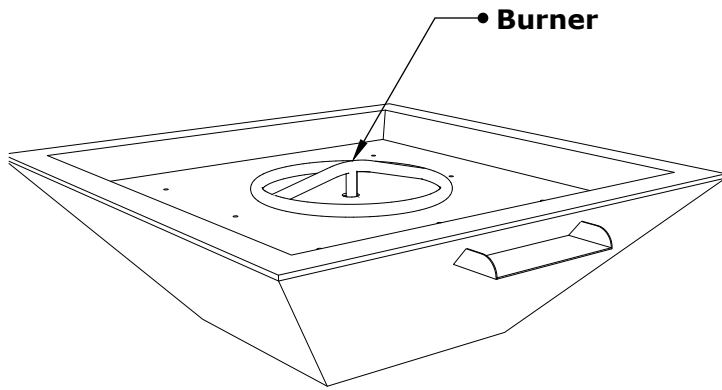
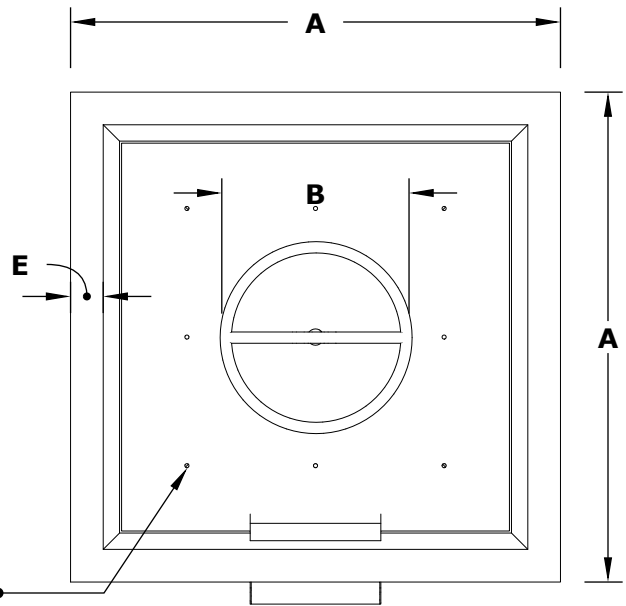


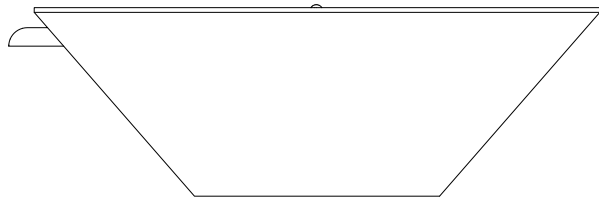
MAYA FIRE WATER BOWL - COPPER



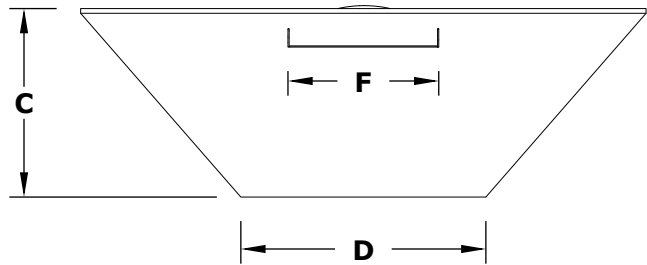
ISOMETRIC VIEW



TOP VIEW



RIGHT SIDE VIEW



FRONT SIDE VIEW

SKU	A	B	C	D	E	F	GPM	BTU
OPT-24SCFW	24"	8"	10"	12"	2"	8"	7-10	45,000
OPT-24SCFWE12V	24"	8"	10"	12"	2"	8"	7-10	45,000
OPT-30SCFW	30"	10"	10"	15"	3"	8"	7-10	65,000
OPT-30SCFWE12V	30"	10"	10"	15"	3"	8"	7-10	65,000
OPT-36SCFW	36"	10"	12"	18"	2"	10"	7-10	65,000
OPT-36SCFWE12V	36"	10"	12"	18"	2"	10"	7-10	65,000

Bowl Material: Copper
 Pan Material: 304 Stainless Steel
 Burner Material: 304 Stainless Steel

12V ELECTRONIC IGNITION
 ANSI Z21.97-(2017) / CSA 2.41-(2017)



Includes: Bowl, Pan, Burner, Scupper, Whistle Free Hose, NG Orifice OR LP Air Mixer, Black Lava Rock.

Proprietary & Confidential: The information contained in this drawing is the sole property of *The Outdoor Plus*. Any reproduction or as a whole without written permission of *The Outdoor Plus* is prohibited.



Official Distributor
 800-971-1442 | orders@aquablumosaics.com
www.AquaBluMosaics.com