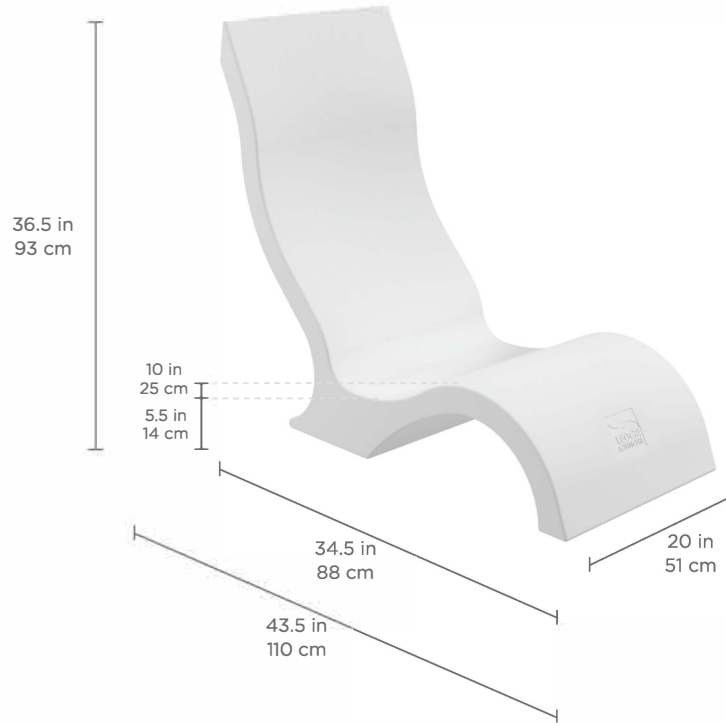


SIGNATURE CHAIR



FEATURES

- Designed for up to 9 in | 23 cm of water or on-deck use
- Perfect for residential or commercial settings
- Built to withstand sun, weather, and chemicals of any pool or outdoor environment
- Compatible with all pool types, including vinyl
- Crafted from a high-quality, UV20 rated resin, color stabilized for up to 20,000 hours of direct sunlight
- Easy set up via threaded plug system
- No assembly required
- Available in multiple colors

SPECIFICATIONS

Overall Length: 43.5 in | 110 cm
Overall Width: 20 in | 51 cm
Overall Height: 36.5 in | 93 cm
Footprint Length: 34.5 in | 88 cm

Seat Height: 5.5 in | 14 cm
Knee Height: 10 in | 25 cm
Water Depth: Designed for up to 9 in | 23 cm of water
Weight Empty: 33 lbs | 15 kg
Weight Full: 133 lbs | 60 kg

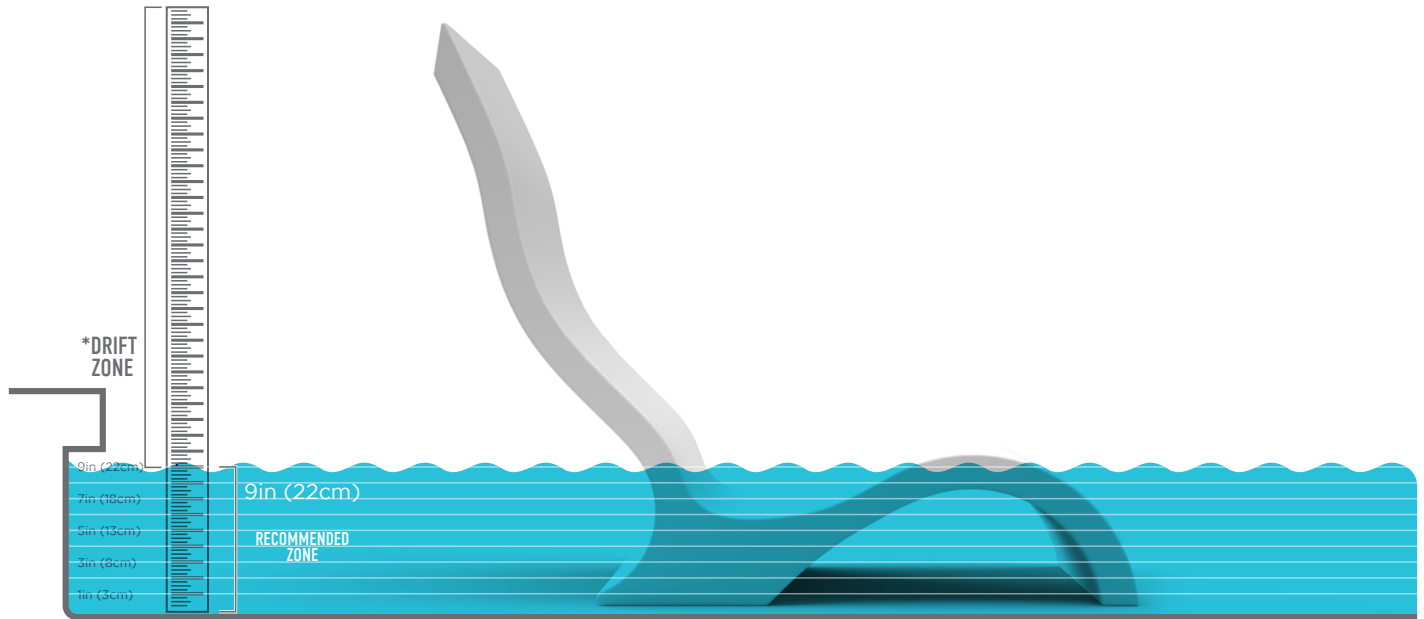


Official Distributor
800-971-1442 |
info@aquablumosaics.com
www.AquaBluMosaics.com

SIGNATURE CHAIR

WATER DEPTH

- For water depths of more than 9 in | 22 cm, we recommend a Signature Chair Riser
- Product may drift, float, or bob in the drift zone
- To learn more about water depth, visit ledgeloungers.com/faqs



LAYOUT SUGGESTIONS

- Minimum tanning ledge length is the same regardless of water depth
- 0 in | 0 cm to 9 in | 22 cm ledge depth requires a minimum ledge length of 34 in | 86 cm

