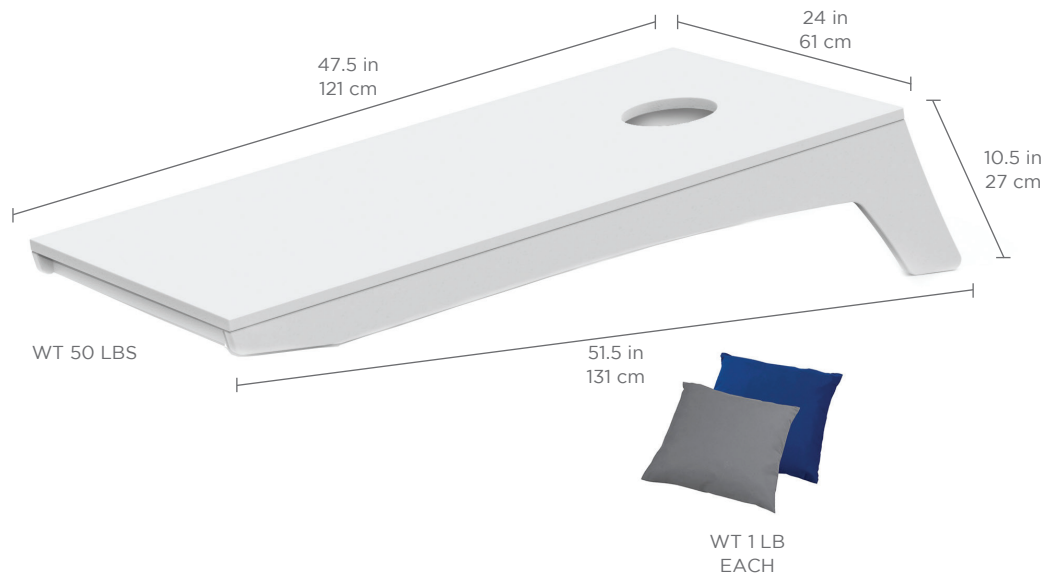


GAMES

CORNHOLE



FEATURES

- Perfect for residential or commercial settings
- Crafted from extruded, high density polyethylene
- Withstands outdoor environment without swelling, splintering, fading, or warping
- UV stable, moisture and mildew resistant
- Includes 2 cornhole boards
- Includes 2 sets of 4 bean bags
- Custom engraving available
- No assembly required
- Available in multiple colors

SPECIFICATIONS

Overall Length: 51.5 in | 131 cm
Overall Width: 24 in | 61 cm
Overall Height: 10.5 in | 27 cm

Top Surface Length: 47.5 in | 121 cm
Weight: 50 lbs | 22.75 kg
Bag Weight (1): 1 lb | 0.5 kg
Total Product Weight: 58 lbs | 26.25 kg



Official Distributor
800-971-1442 |
info@aquablumosaics.com
www.AquaBluMosaics.com