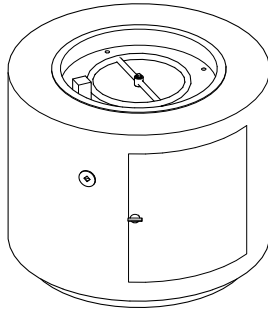
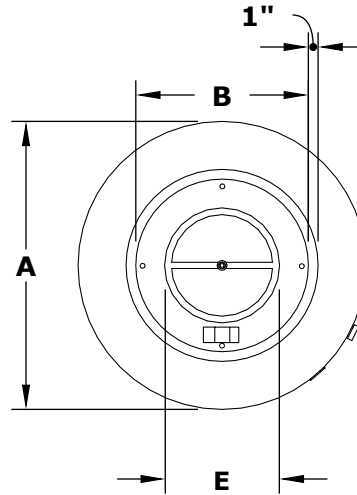


# BEVERLY FIRE PIT

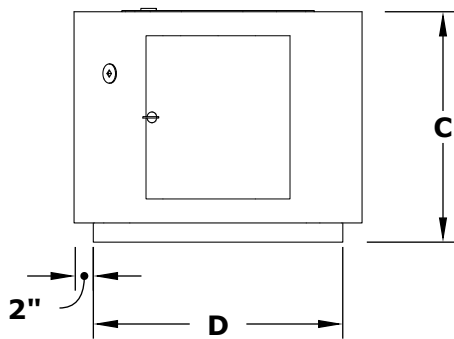
Hammered, Corten Steel, Stainless Steel, Powder Coat



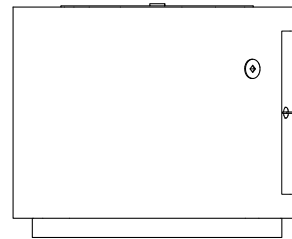
ISOMETRIC VIEW



TOP VIEW



RIGHT SIDE VIEW



FRONT SIDE VIEW

| Hammered Copper | Corten Steel | Stainless Steel | Powder Coat | A   | B   | C   | D   | E   | BTU    |
|-----------------|--------------|-----------------|-------------|-----|-----|-----|-----|-----|--------|
| OPT-30RRCP      | OPT-30RRCS   | OPT-30RRSS      | OPT-30PCB   | 30" | 19" | 24" | 26" | 12" | 50,000 |
| OPT-36RRCP      | OPT-36RRCS   | OPT-36RRSS      | OPT-36PCB   | 36" | 25" | 24" | 30" | 18" | 75,000 |
| OPT-42RRCP      | OPT-42RRCS   | OPT-42RRSS      | OPT-42PCB   | 42" | 31" | 24" | 36" | 24" | 90,000 |

Fire Pit Material: GFRC Concrete  
 Pan Material: 304 Stainless Steel  
 Burner Material: 304 Stainless Steel

Standard 1" Flange on all pans  
 Standard 2" Depth on all pans  
**110V ELECTRONIC IGNITION**  
 ANSI Z21.97-(2017) / CSA 2.41-(2017)



## AQUABLU

Official Distributor

(800) 971 1442

[www.aquablumosaics.com](http://www.aquablumosaics.com)

Match Lit Unit Includes: Pan, Burner, Gas Orifice, Gas Hoses, Key Valve, Key,  
 110v Ignition Unit Includes: Pan, Burner, Gas Orifice, Gas Hoses, Key Valve, Key, Plug & Play Electronic Valve, Pilot Igniter.