

BAJA FIRE PIT - BLACK & WHITE

POWDER COAT

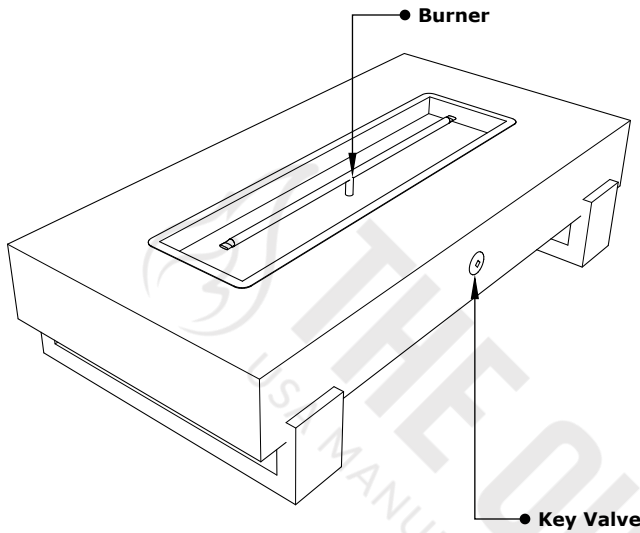


AQUABLU

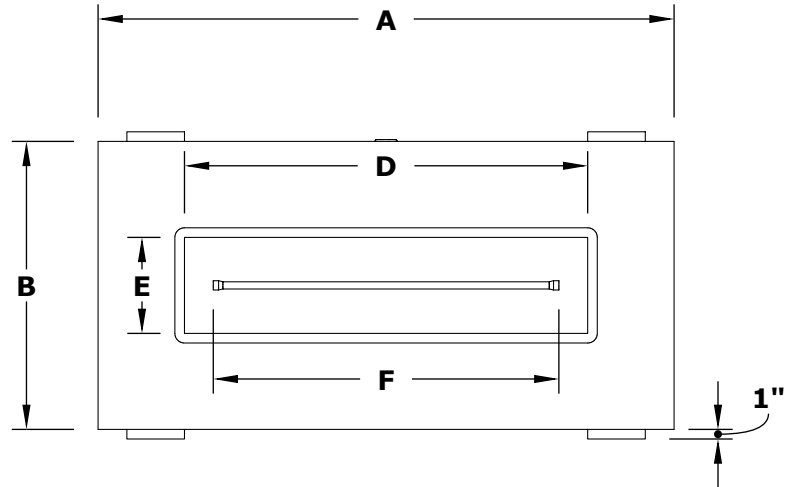
Official Distributor

(800) 971-1442

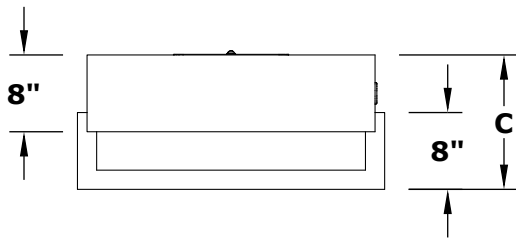
www.aquablumosaics.com



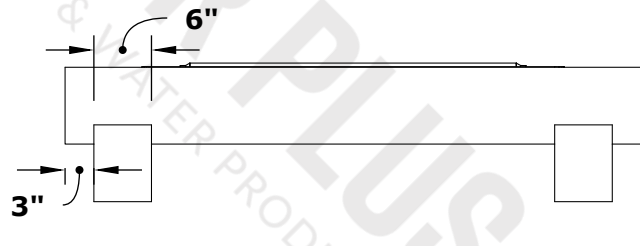
ISOMETRIC VIEW



TOP VIEW



RIGHT SIDE VIEW



FRONT SIDE VIEW

PART NUMBER	A	B	C	D	E	F	BTU
OPT-BAJ42-BWC	42"	30"	14"	30"	10"	24"	40,000
OPT-BAJ60-BWC	60"	30"	14"	42"	10"	36"	60,000
OPT-BAJ72-BWC	72"	30"	14"	54"	10"	48"	80,000
OPT-BAJ84-BWC	84"	30"	14"	66"	10"	60"	100,000

Fire Pit Material: Galvanized Steel
Pan Material: 304 Stainless Steel
Burner Material: 304 Stainless Steel

Standard 2" Depth on all pans

110V ELECTRONIC IGNITION
ANSI Z21.97-(2017) / CSA 2.41-(2017)



Match Lit Unit Includes: Pan, Burner, Gas Orifice, Gas Hoses, Key Valve, Key,

110v Ignition Unit Includes: Pan, Burner, Gas Orifice, Gas Hoses, Key Valve, Key, Plug & Play Electronic Valve, Pilot Igniter.

Drawn By	Murguia M.
Date Created	December 22, 2021