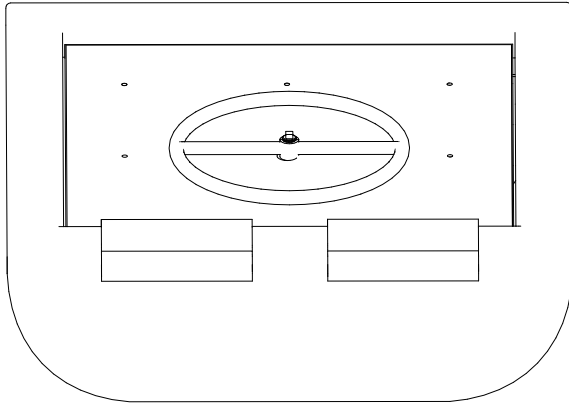
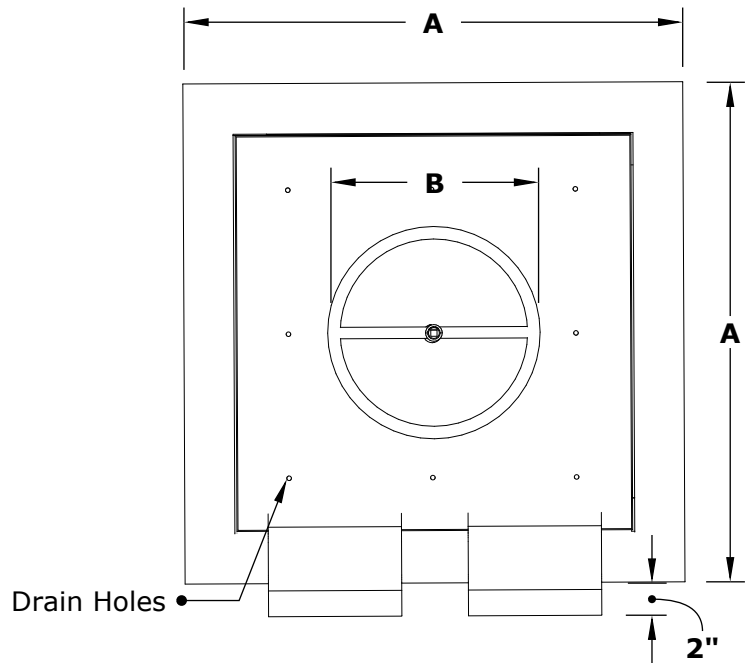


AVALON FIRE WATER BOWL - TWIN SPILL - METAL



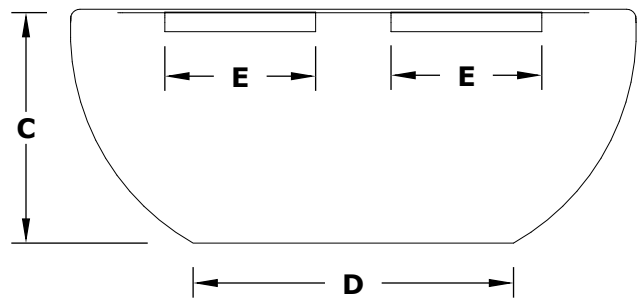
ISOMETRIC VIEW



TOP VIEW



RIGHT SIDE VIEW



FRONT SIDE VIEW

Hammered Copper	Stainless Steel	A	B	C	D	E	BTU	GPM
OPT-24AVCPFWTS	OPT-24AVSSFWTS	24"	8"	13.5"	10"	8"	45,000	7-10
OPT-30AVCPFW	OPT-30AVSSFWTS	30"	10"	14.5"	13"	8"	65,000	7-10
OPT-36AVCPFWTS	OPT-36AVSSFWTS	36"	10"	17.5"	16"	10"	65,000	7-10

Fire Pit Material: Copper / Stainless Steel
Pan Material: 304 Stainless Steel
Burner Material: 304 Stainless Steel

12V ELECTRONIC IGNITION
ANSI Z21.97-(2017) / CSA 2.41-(2017)



Includes: Pan, Burner, Whistle Free Hoses, Copper Scupper, Black Lava Rock.