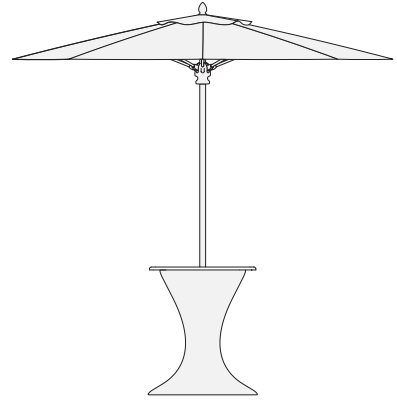




AUTOGRAPH UMBRELLA STAND ICE BIN



THANK YOU FOR YOUR PURCHASE

Our team of expert designers, craftsmen, and pool industry professionals have obsessed over every detail of your Autograph Umbrella Stand Ice Bin. From concept to delivery, every decision was made with you in mind. Sweating the smallest things is our goal, so you can enjoy the big things that matter - making meaningful moments.

Your outdoor experience comes with peace of mind. That's why we pride ourselves on long-lasting, low-maintenance outdoor living, and we back it up with a best-in-class warranty.

BEFORE YOU START

For fun and effective setup, prepare to get wet. Throw on your bathing suit, gather your setup materials and jump in!

IMPORTANT NOTE

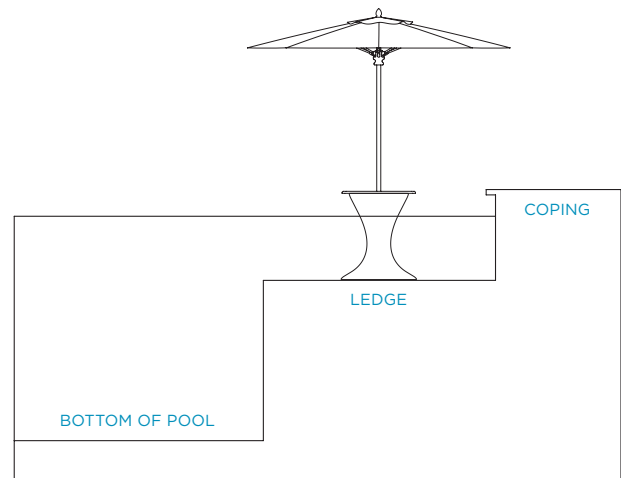
The Autograph Umbrella Stand Ice Bin is designed for water depths up to 18" or on-deck and holds up to 21 cans.

REQUIRED TOOLS



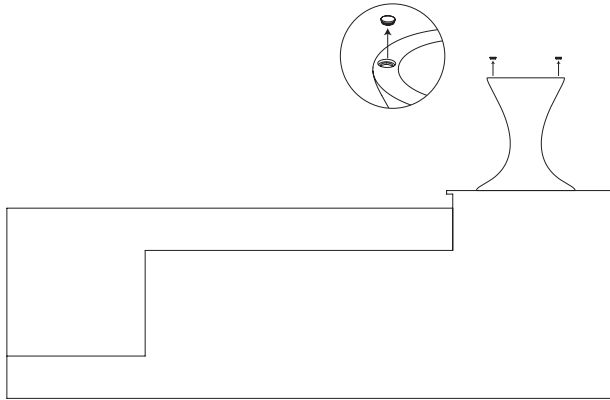
FLATHEAD SCREWDRIVER

YOUR POOL

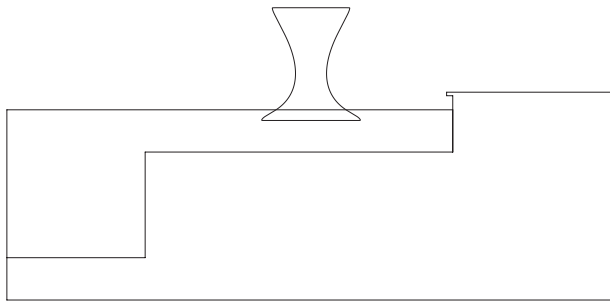


Official Distributor
800-971-1442 |
info@aquablumosaics.com
www.AquaBluMosaics.com

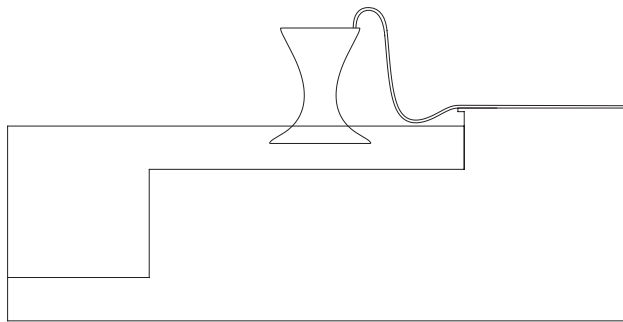
STEP 1: Remove the silicone plugs from the top surface of the Autograph Umbrella Stand Ice Bin.



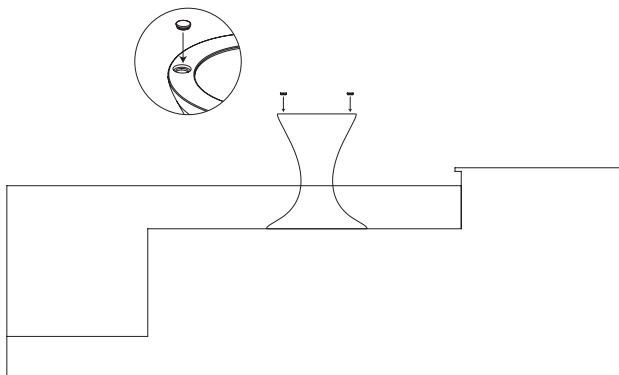
STEP 2: While holding the umbrella stand, step onto the ledge. The stand will float.



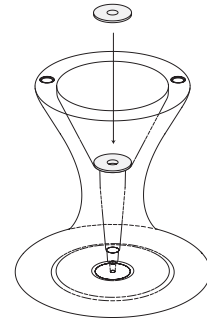
STEP 3: Begin filling the umbrella stand with a water hose. As the stand begins to submerge, move it towards it's final position. **DO NOT THREAD HOSE INTO THE FILL HOLES.**



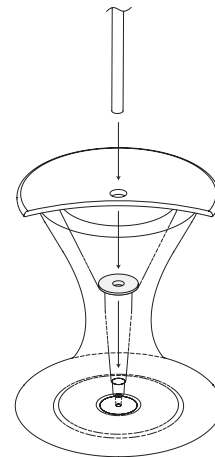
STEP 4: Allow the table to submerge. Once the stand is completely filled, replace the silicone plugs.



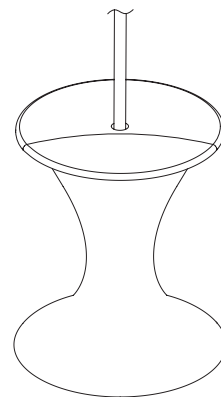
STEP 5: Insert the corresponding pole adapter for your umbrella firmly into the bottom of the cavity in the umbrella stand.



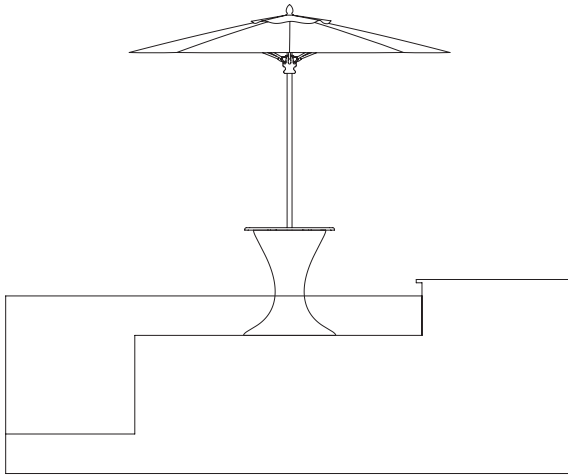
STEP 6: After placing the large lid piece with the umbrella hole onto the stand, insert the umbrella pole through the lid and into the adapter at the bottom of cavity in the umbrella stand.



STEP 7: Fill your umbrella stand with ice and drinks. To keep your drinks cool, place the smaller lid piece onto the stand.



STEP 8: Enjoy your new Autograph Umbrella Stand Ice Bin and begin creating life's most meaningful moments. Tag us for a chance to be featured!



CARE AND MAINTENANCE

ROUTINE CLEANING

Clean with a soft cloth, microfiber towel, or spray down with a water hose. For a deeper clean, use mild soap and water with a soft bristle brush.

POWER WASHING

Use caution to avoid etching your Autograph Umbrella Stand Ice Bin. Start with a very low PSI at least 3 feet away from furniture, and test on the under side before moving closer. Move closer or increase PSI gradually and with caution until dirt is removed. Check often to ensure no etching is left on furniture.



Official Distributor
800-971-1442 |
info@aquablumosaics.com
www.AquaBluMosaics.com