



AMPED

SEAT & SIDE TABLE

SPLASH & SESSION Series

Designed to compliment the Amped Chair and to function as a stool, side table, and ottoman. Made with rotationally molded hard polyethylene material for supreme impact strength. Waterproof and weather resistant. Bring on the sun, sand, snow, salt, and rain...this product can take it. Approximately 18 lbs. Can be used as seat, ottoman, or side table.

- Easy to clean and sanitize.
- Ultra-low VOC emissions to promote healthy indoor air quality.
- Fire test compliant with CAL117-2013 and has zero added flame retardant chemicals.
- Supports up to 750 lbs.
- Rounded edges and corners for safety.
- Top surface sheds liquids and dries fast.
- 100% recyclable.



Official Distributor
800-971-1442 |
info@aquablumosaics.com
www.AquaBluMosaics.com

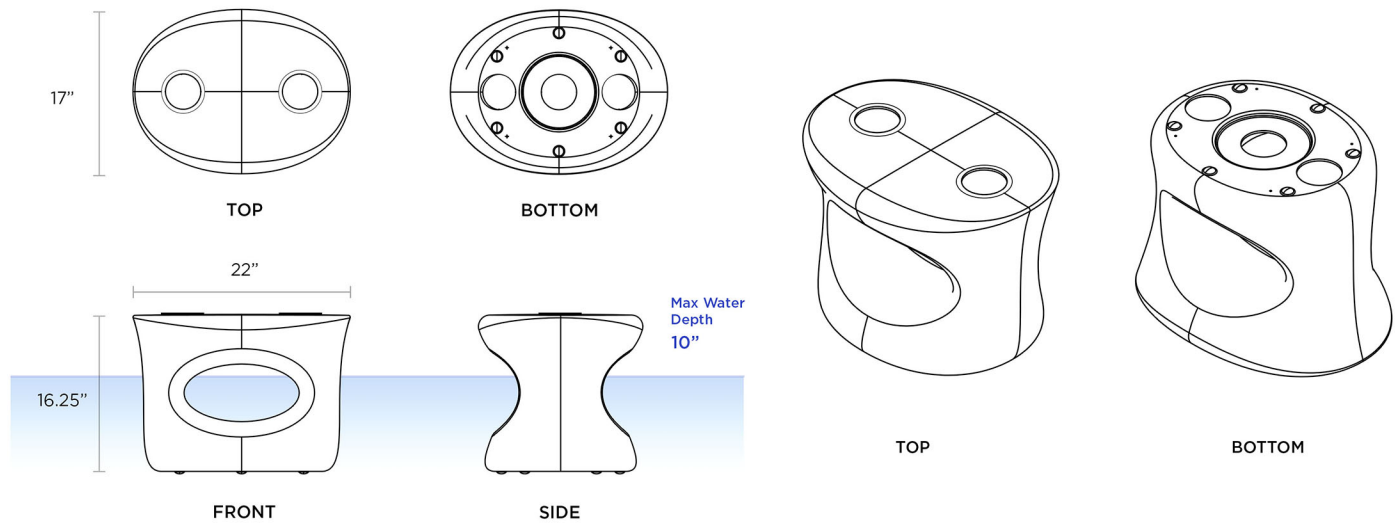


SPLASH



SPLASH

AMPED SEAT & SIDE TABLE SPLASH



SPLASH PRODUCT INFO

This version has a 16.25" seat height and is designed to be placed in the shallow water of a swimming pool. The maximum water depth should not exceed 10". This version has holes added on the bottom that allow water to enter and exit the core of the product. Set it in the pool and it rests in place. Pull it from the pool and it quickly releases the water from the core of the product so it can be used on the pool deck. This version does not have rubber legs.

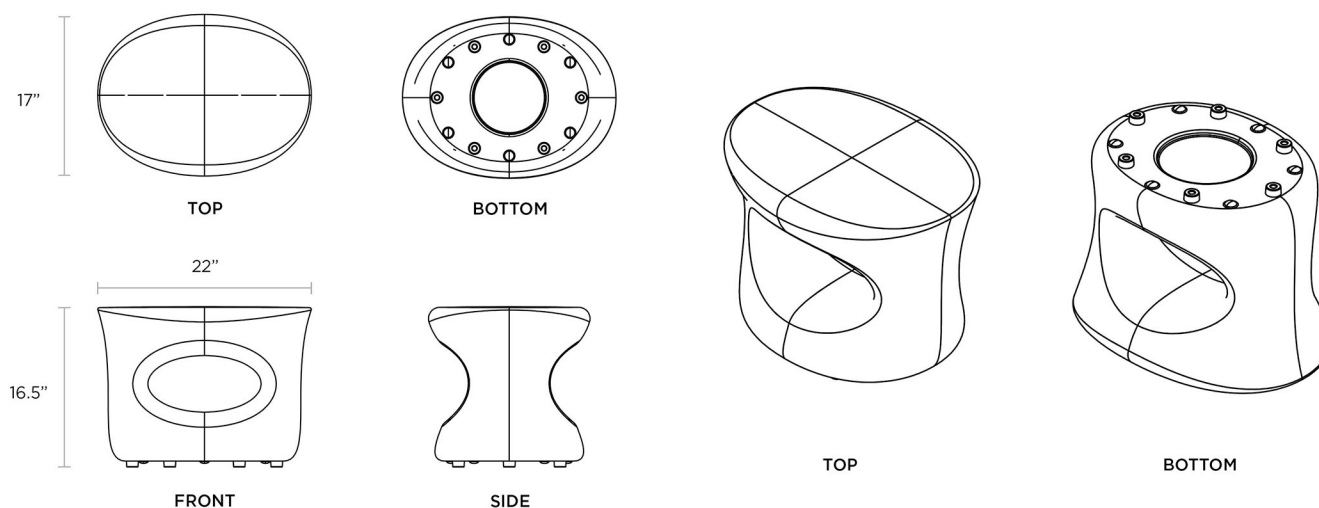
#SPL22101T1 __ BL - Splash Amped Seat & Side Table, Color TBD, Black Cupholders

#SPL22101T1 __ WH - Splash Amped Seat & Side Table, Color TBD, White Cupholders

SPLASH STANDARD COLORS



2 digit color code corresponds to the blank spaces in the product SKUs above.



SESSION PRODUCT INFO

This version has a 16.5" seat height and includes Santoprene® rubber legs for floor grip and protection. This version does not have handles, cupholders, or openings on the bottom and is not modified for use in a swimming pool. This version does allow for the optional item #WEIGHTCAP.

#22101T1 __ - Session Amped Seat & Side Table, Color TBD

Do you need seating that weighs more?

Are you furnishing a rooftop entertainment venue, condominium balcony, or public park? These are just some of the locations where your seating may need to have added weight for safety or theft prevention. Consider optional item #WEIGHTCAP for the Session Series version of Amped Seat & Side Table. When #WEIGHTCAP is added to the product, a 1.75" diameter screw plug is added to the bottom. This allows for pea-size gravel to be funneled into the core of the product for additional weight. This option is factory installed and must be added at the time of manufacturing. Installation supplies and gravel are not provided by Tenjam.

#WEIGHTCAP: Allows for adding up to 30 lbs of gravel. Approximately 48 lbs when filled.



SESSION STANDARD COLORS

2 digit color code corresponds to the blank spaces in the product SKUs above.

 Lime Green LM	 Yellow YE	 Orange OR	 Red RD	 Violet VI	 Sea Foam Green SF
 Surf Blue SB	 Light Blue LB	 Medium Blue MB	 Dark Blue DB	 Desert Tan DT	 Medium Gray MG
 Anthracite Gray AG	 White WH	 Cobblestone CS	 Gray Granite GG	 River Rock RR	