

2023 PRODUCT GUIDE



AQUABLU

Official Distributor

(800) 971 1442

www.aquablumosaics.com

PRISM

HARDSCAPES

WE BELIEVE IN SPACES THAT ARE DESIGNED FOR
LIVING, MAKING MEMORIES, AND ENJOYING LIFE

PRISM HARDSCAPES is a progressive company that focuses on well designed outdoor living products. We are committed to current architectural trends, visionary designs, coupled with handcrafted techniques that allow for products that are beautiful as well as affordable. We are always at the forefront of exceptional product design, quality, and value in the outdoor living space.

Backed by over 100 years of experience, NATCO HOME is a family owned business that was established in 1917. NATCO HOME is one of the largest and most respected companies in the Home Textiles, and Outdoor Living Products industries with wholly owned manufacturing facilities in Georgia, Maine, California and Toronto, as well as several joint ventures in China, Poland, Egypt, Turkey, and Mexico. NATCO HOME delivers today's hottest home fashion colors and designs at surprisingly affordable price points.



PIETRA

MODERNO COLLECTION

MODERNO 1	Page 5
MODERNO 2	Page 5
MODERNO 3	Page 5
MODERNO 4	Page 5
MODERNO 5	Page 6
MODERNO 6	Page 6
MODERNO 8	Page 6
MODERNO 70	Page 6

TAVOLA COLLECTION

TAVOLA 1	Page 9
TAVOLA 2	Page 9
TAVOLA 3	Page 9
TAVOLA 4	Page 9
TAVOLA 5	Page 11
TAVOLA 6	Page 11
TAVOLA 7	Page 11
TAVOLA 8	Page 11
TAVOLA 42	Page 12
TAVOLA 66	Page 12
TAVOLA 72	Page 12
TAVOLA 110	Page 12

CORE COLLECTION

PORTO T5	Page 13
PORTO 58	Page 15
PORTO 68	Page 15
PENTOLA 1	Page 16
PENTOLA 2	Page 16
PENTOLA 3	Page 16
SCATOLA 2	Page 16

EMBARCADERO	Page 17
EMBARCADERO PEDESTAL	Page 17
LOMBARD	Page 17
LOMBARD PEDESTAL	Page 17
EMBARCADERO 60	Page 18
PEBBLE	Page 18
ROTONDO	Page 18
PIAZZA	Page 19
CILINDRO	Page 19
TRITON	Page 19
TUSCANY COLLECTION	Page 20
FALÒ	Page 21
PROPANE ENCLOSURES	Page 22
EDEL COPPER UNITS	Page 24

DESIGNER COLLABORATIONS

OASIS	Page 30
DUNE	Page 32
PIETRA	Page 33
SUNFLOWER	Page 35
FAIRMONT	Page 36
HAMPTON	Page 38
MANCHESTER	Page 40

POOLSIDE COLLECTION

MODERNO 2-P	Page 44
SORRENTO	Page 45
LOMBARD-P TALL	Page 46
LOMBARD-P	Page 47
VERONA	Page 48
IBIZA	Page 49
TOSCANO	Page 50

HOSPITALITY COLLECTION

EMBARCADERO 60	Page 54
MODERNO 70	Page 56
ROTONDO 80	Page 58
LARGO 72	Page 60
FUEGO 89	Page 62
FUEGO 54	Page 62
DIVANO	Page 64
PH FIRE COLUMN	Page 66
TABLE	Page 67

ENGINEERING

PH-IGNITE AUTO IGNITION	Page 70
IGNITION OPTIONS	Page 71

MISC.

COLOR OPTIONS	Page 72
FIRE MEDIA	Page 72
FIRE GLASS	Page 72
CRAFTSMANSHIP	Page 73

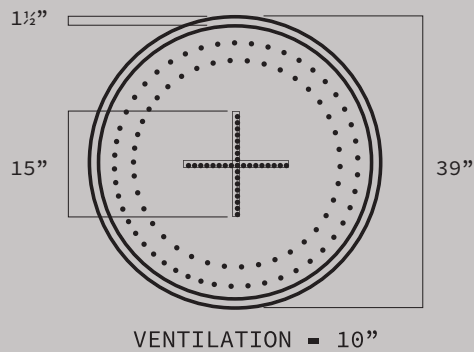
MODERNO *Collection*



MODERNO 8

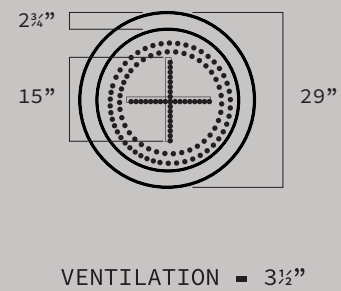
MODERNO 1

39"D / 18"H / 210 lbs.
SURFACE: 1½" / BURNER: 15"



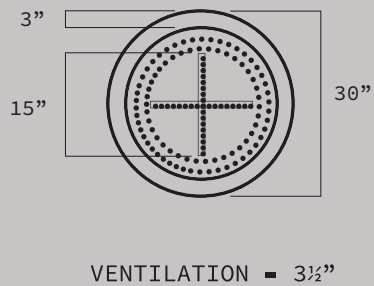
MODERNO 2

29"D / 12"H / 90 lbs.
SURFACE: 2¾" / BURNER: 15"



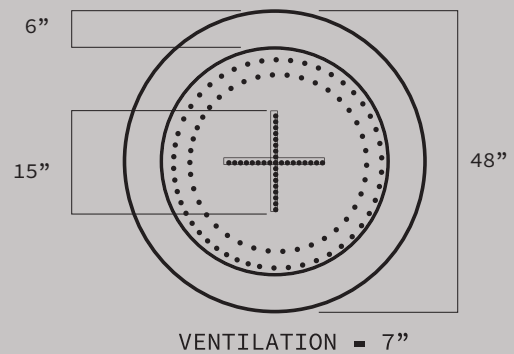
MODERNO 3

30"D / 18"H / 125 lbs.
SURFACE: 3" / BURNER: 15"



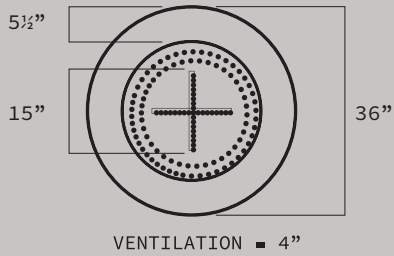
MODERNO 4

48"D / 17"H / 400 lbs.
SURFACE: 6" (also 4") / BURNER: 18"



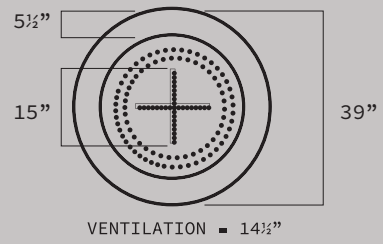
MODERNO 5

36"D / 16"H / 250 lbs.
SURFACE: 5½" / BURNER: 15"



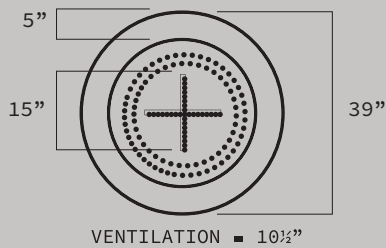
MODERNO 6

39"D / 15"H / 275 lbs.
SURFACE: 5½" / BURNER: 15"



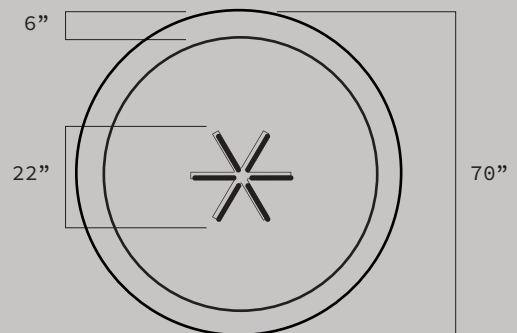
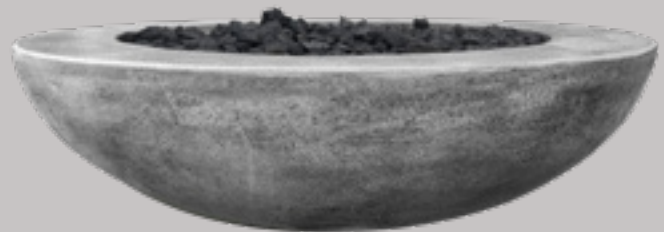
MODERNO 8

39"D / 18"H / 225 lbs.
SURFACE: 5" / BURNER: 15"



MODERNO 70

70"D / 18"H / 650 lbs.
SURFACE: 6" (also 14") / BURNER: 22"





MODERNO 4

TAVOLA *Collection*



TAVOLA 1

TAVOLA 1

38"W / 56"L / 16"H / 360 lbs.
SURFACE: 11" / BURNER: 24"

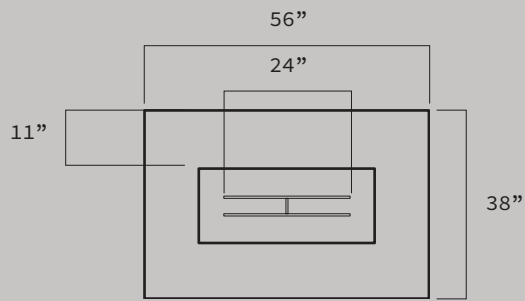


TAVOLA 2

36"W / 36"L / 16"H / 240 lbs.
SURFACE: 8 3/4" / BURNER: 15"

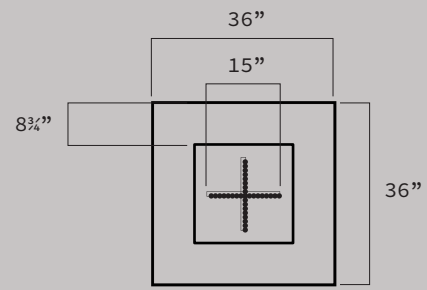


TAVOLA 3

48"W / 48"L / 16"H / 450 lbs.
SURFACE: 11" / BURNER: 18"

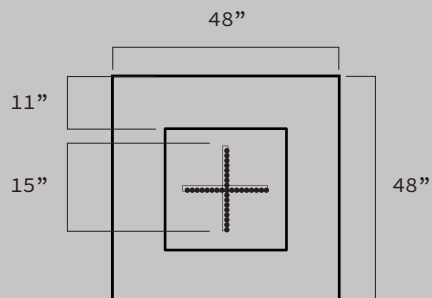


TAVOLA 4

38"W / 66"L / 16"H / 500 lbs.
SURFACE: 16"/11" / BURNER: 24"

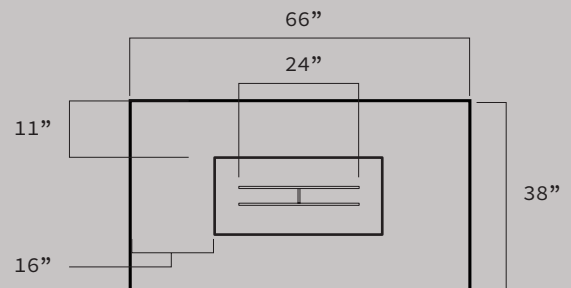




TAVOLA 72 NARROW

TAVOLA 5

38"W / 80"L / 16"H / 650 lbs.
SURFACE: 11"/33¾" / BURNER: 24"

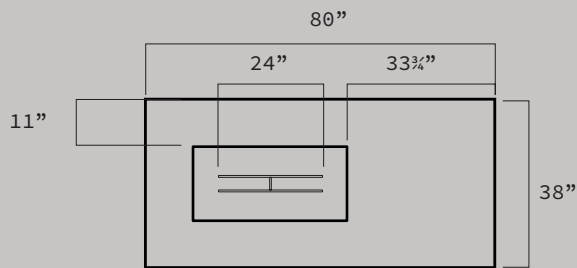


TAVOLA 6

38"W / 90"L / 16"H / 650 lbs.
SURFACE: 11" / BURNER: 60"

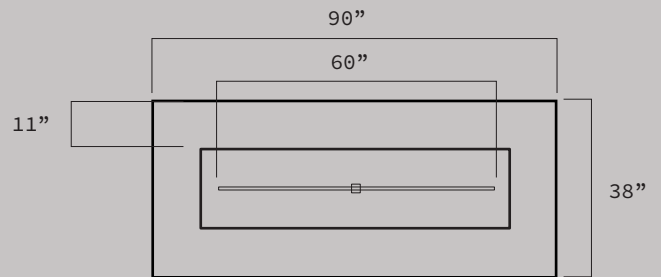


TAVOLA 7

50"W / 60"L / 16"H / 500 lbs.
SURFACE: 16" / BURNER: 24"

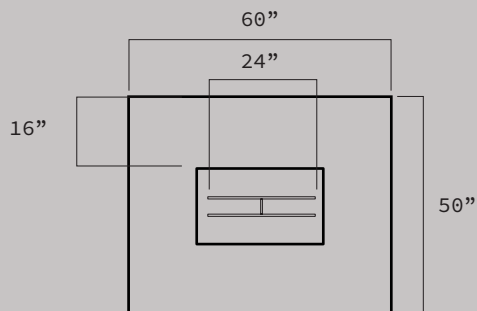
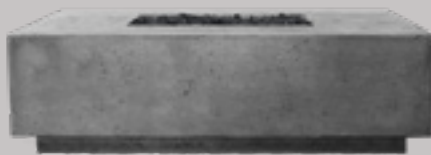


TAVOLA 8

32"W / 60"L / 16"H / 320 lbs.
SURFACE: 13"/8" / BURNER: 24"

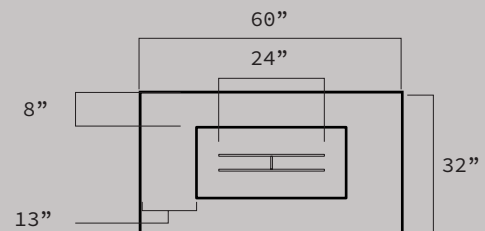


TAVOLA 42

42"W / 42"L / 16"H / 300 lbs.
SURFACE: 11 3/4" / BURNER: 15"

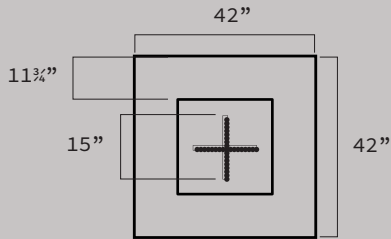


TAVOLA 66 SLIM

30"W / 66"L / 16"H / 320 lbs.
SURFACE: 16"/9" / BURNER: 24"

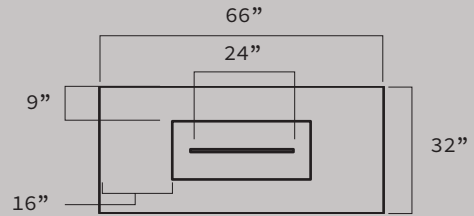


TAVOLA 72 NARROW

24"W / 72"L / 16"H / 400 lbs.
SURFACE: 12"/6" / BURNER: 37"

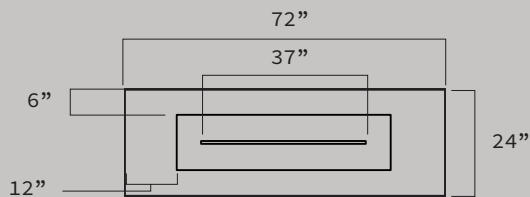
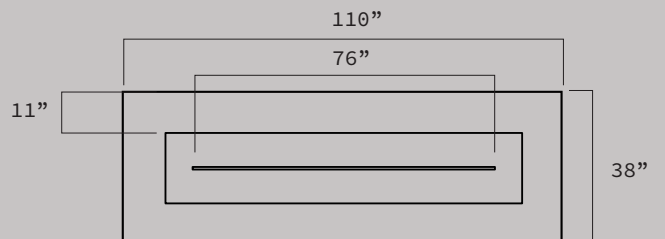


TAVOLA 110

38"W / 110"L / 16"H / 750 lbs.
SURFACE: 11" / BURNER: 76"



PORTO *Collection*

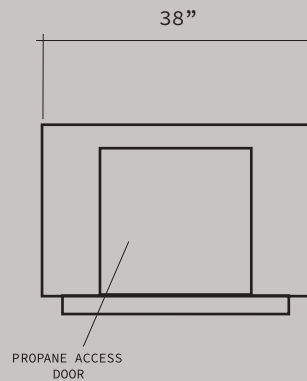
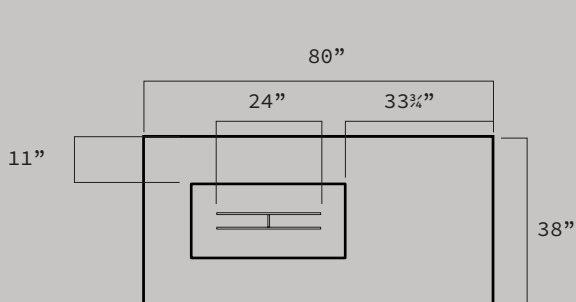
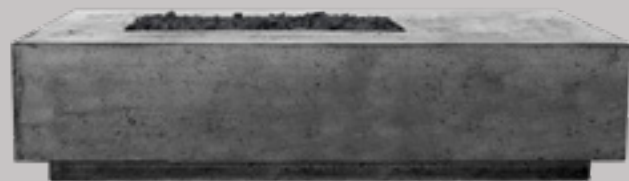


PORTO T5

PORTO T5 (*Enclosed Propane Unit*)

SPECIFICATIONS

<i>Width</i>	38"
<i>Length</i>	58"
<i>Height</i>	22"
<i>Surface</i>	12"/11"
<i>Burner Size</i>	24"/65,000 BTUs
<i>Weight</i>	450 lbs.
<i>Fuel Source</i>	Enclosed propane unit
<i>Ignition</i>	Key valve
<i>Material</i>	Glass fiber reinforced concrete
<i>Media</i>	Lava rock



STANDARD 15 LB. PROPANE TANK
(NOT INCLUDED)





PORTO 58

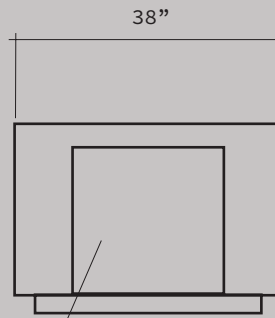
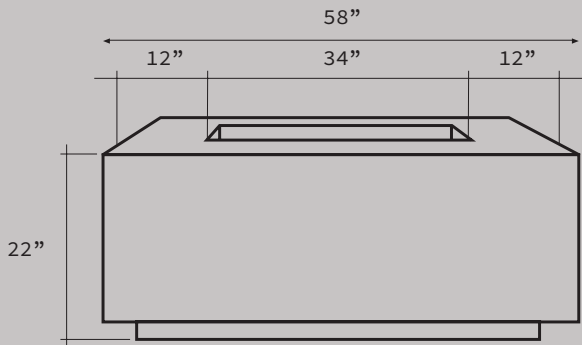
PORTO *Collection*

PORTO 58 (Enclosed Propane Unit)

SPECIFICATIONS



<i>Width</i>	38"
<i>Length</i>	58"
<i>Height</i>	22"
<i>Surface</i>	12"/11"
<i>Burner Size</i>	24"/65,000 BTUs
<i>Weight</i>	450 lbs.
<i>Fuel Source</i>	Enclosed propane unit
<i>Ignition</i>	Key valve
<i>Material</i>	Glass fiber reinforced concrete
<i>Media</i>	Lava rock

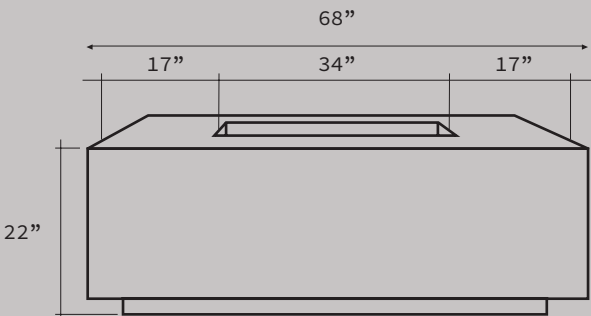


**COMPATIBLE WITH
20 LB. PROPANE TANKS
(NOT INCLUDED)**



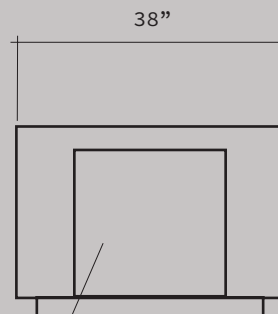
PROPANE ACCESS
DOOR

PORTO 68 (Enclosed Propane Unit)



SPECIFICATIONS

<i>Width</i>	38"
<i>Length</i>	68"
<i>Height</i>	22"
<i>Surface</i>	17"/11"
<i>Burner Size</i>	24"/65,000 BTUs
<i>Weight</i>	550 lbs.
<i>Fuel Source</i>	Enclosed propane unit
<i>Ignition</i>	Key valve
<i>Material</i>	Glass fiber reinforced concrete
<i>Media</i>	Lava rock



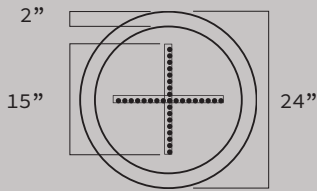
**COMPATIBLE WITH
20 LB. PROPANE TANKS
(NOT INCLUDED)**



PROPANE ACCESS
DOOR

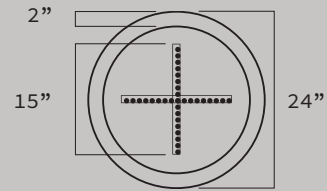
PENTOLA 1

24"D / 28"H / 150 lbs.
SURFACE: 2" / BURNER: 15"



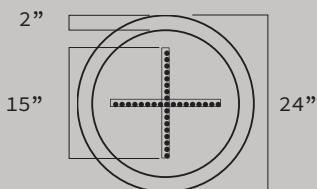
PENTOLA 2

24"D / 21"H / 125 lbs.
SURFACE: 2" / BURNER: 15"



PENTOLA 3

24"D / 26"H / 135 lbs.
SURFACE: 2" / BURNER: 15"
Enclosed propane unit (not included)

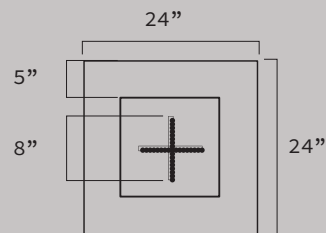
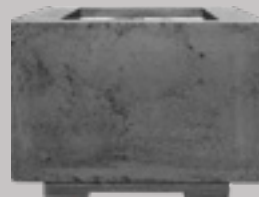


**COMPATIBLE WITH
15 LB. PROPANE TANKS
(NOT INCLUDED)**



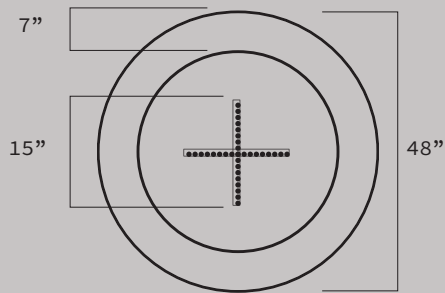
SCATOLA 2

24"W / 24"W / 16"H / 110 lbs.
SURFACE: 5" / BURNER: 8"



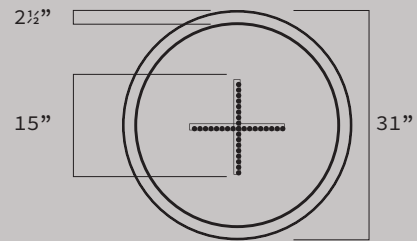
EMBARCADERO

48"D / 15"H / 225 lbs.
SURFACE: 7" / BURNER: 18"



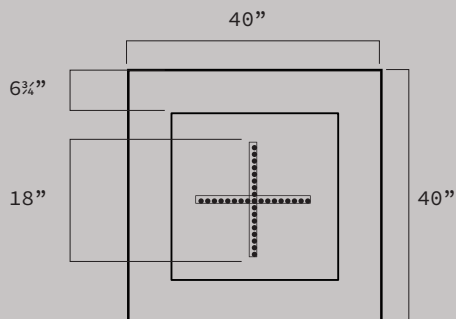
EMBARCADERO PEDESTAL

31"D / 10"H / 90 lbs.
SURFACE: 2½" / BURNER: 15"



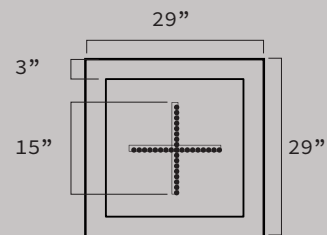
LOMBARD

40"W / 40"L / 18"H / 280 lbs.
SURFACE: 6¾" / BURNER: 18"



LOMBARD PEDESTAL

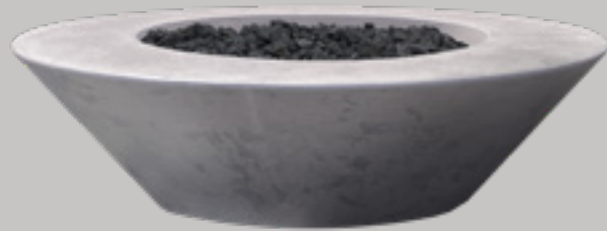
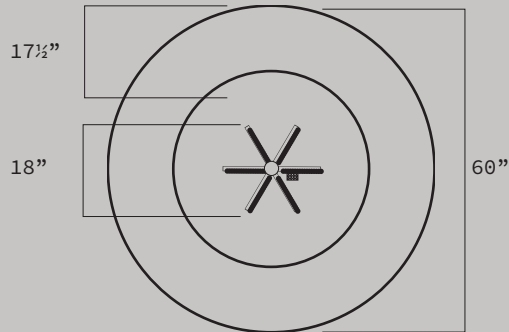
29"W / 29"L / 10"H / 90 lbs.
SURFACE: 3" / BURNER: 15"



EMBARCADERO 60

60"D / 16"H / 350 lbs.

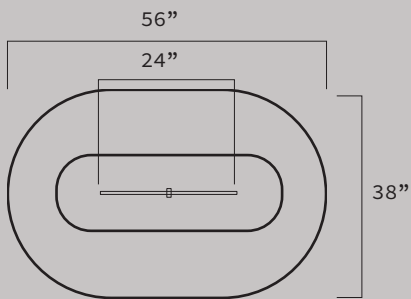
SURFACE: 17½" / BURNER: 18"



PEBBLE

38"W / 56"L / 16"H / 350 lbs.

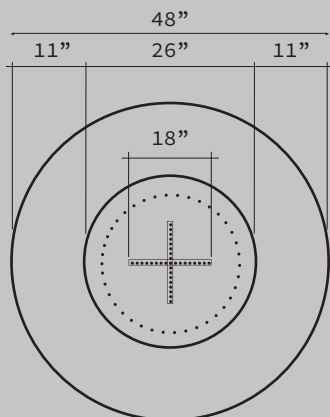
BURNER: 24"



ROTONDO

48"D / 18"H / 430 lbs.

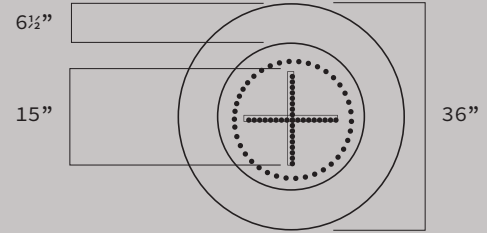
SURFACE: 11" / BURNER: 18"



CILINDRO

36"D / 18"H / 350 lbs.

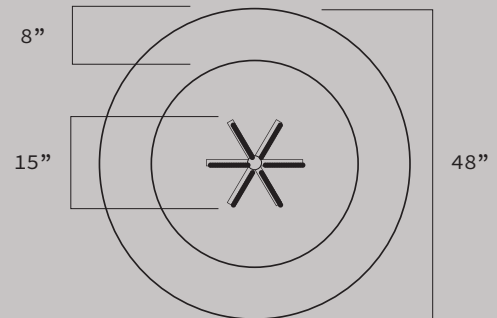
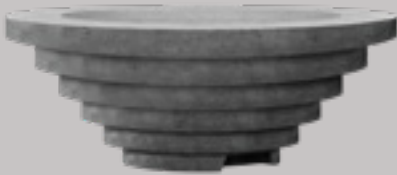
SURFACE: 6 ½" / BURNER: 15"



TRITON

48"D / 18"H / 400 lbs.

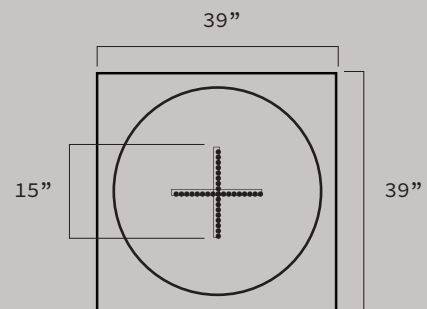
SURFACE: 8" / BURNER: 15"



PIAZZA

39"W / 39"L / 15 ¾"H / 360 lbs.

BURNER: 15"



TUSCANY COLLECTION



The Tuscany Collection is a new spin on some classic Prism Hardscapes products, featuring five models with a new textured finish.

Fire features in the Tuscany Collection are available in 4 colors but will offer the same features as the regular models.

MODELS

Cilindro, Rotondo, Tavola 4, Tavola 42, and Moderno 4.



Ebony

Pewter

Ultra White

Coastal

FALÒ (WOOD BURNING)

SPECIFICATIONS

Diameter	21"
Height	10½"
Weight	30 lbs.
Fuel Source	Wood
Material	Glass fiber reinforced concrete
Burner Pan	High temp powder coated steel

AVAILABLE COLORS



Volcanic ash

Beach pebble

CREATE THE PERFECT ENVIRONMENT

FIRE ANYTIME, ANYWHERE

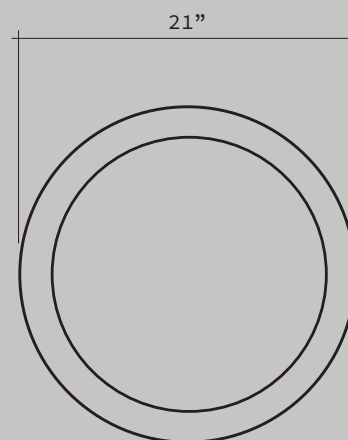
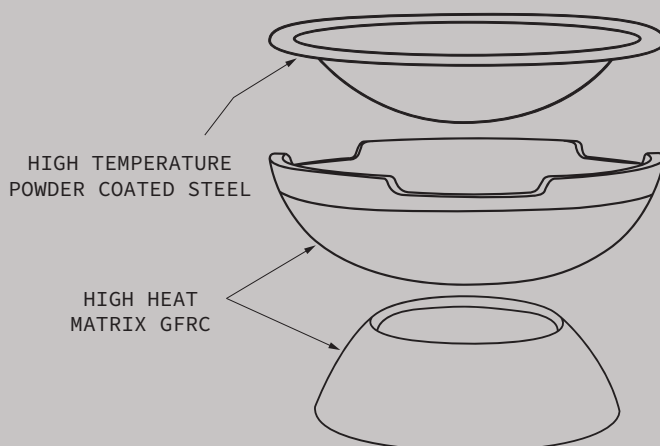
With Falò's lightweight and portable design, you can create the perfect lighting, warmth and ambiance for an evening with friends & family.

MODERN DESIGN

Falò uses the perfect blend of design and modern materials to create the lightweight, sleek look of the fire bowl, while maintaining the integrity of the materials under extreme conditions.

PORTABILITY

Falò uses state of the art technology to create the perfect accessory for your outdoor setting. Lightweight yet strong, use Falò at your home, or take it with you for an outdoor adventure. Falò's quick assembly allows for easy travel and set up.



- Light weight
- Quick assembly
- Rust resistant
- Frost resistant
- Easy disposal
- Heat resistant

PROPANE ENCLOSURES

TAV



SPECIFICATIONS

<i>Width</i>	20"
<i>Height</i>	21½"
<i>Weight</i>	100 lbs.
<i>Material</i>	Glass fiber reinforced concrete

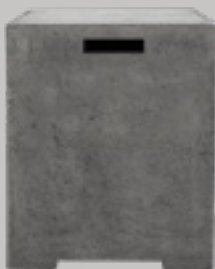
MOD



SPECIFICATIONS

<i>Width</i>	20"
<i>Height</i>	21½"
<i>Weight</i>	100 lbs.
<i>Material</i>	Glass fiber reinforced concrete

SAUSALITO



SPECIFICATIONS

<i>Width</i>	16"
<i>Height</i>	21"
<i>Weight</i>	100 lbs.
<i>Material</i>	Glass fiber reinforced concrete

ORINDA

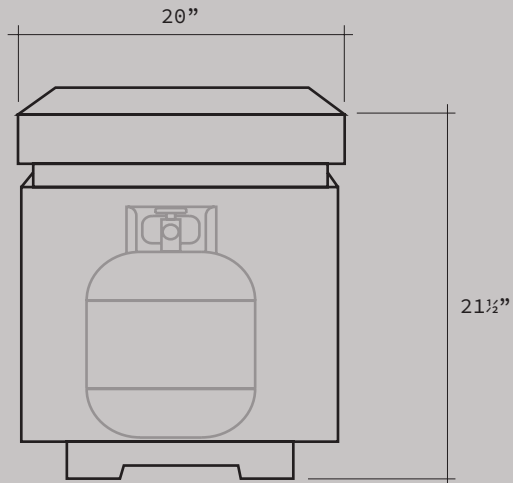


SPECIFICATIONS

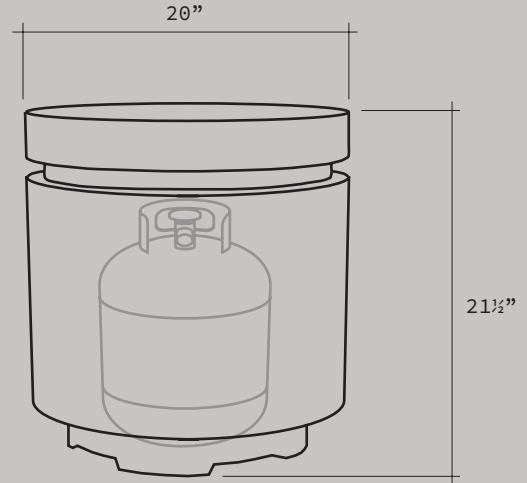
<i>Width</i>	15"
<i>Height</i>	20"
<i>Weight</i>	100 lbs.
<i>Material</i>	Glass fiber reinforced concrete

PROPANE ENCLOSURES

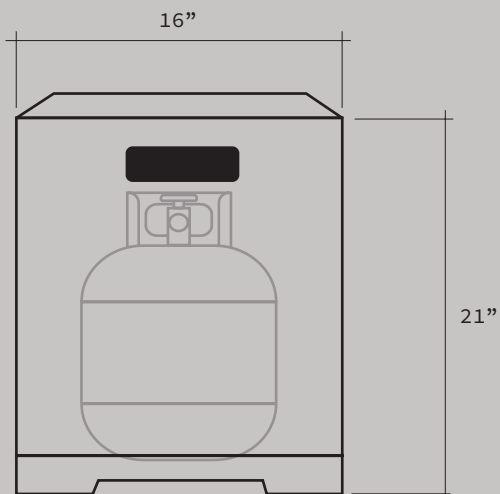
TAV



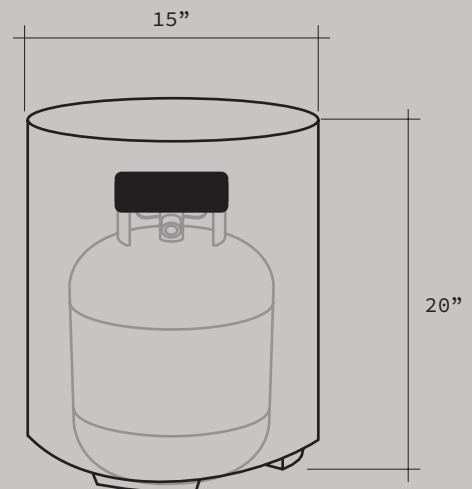
MOD



SAUSALITO



ORINDA



EDEL COPPER UNITS

MODERNO 1



SPECIFICATIONS

<i>Diameter</i>	39"
<i>Surface</i>	3"
<i>Height</i>	18"
<i>Burner Size</i>	15"/65,000 BTUs
<i>Weight</i>	71 lbs.
<i>Fuel Source</i>	LP or NG
<i>Ignition</i>	Key valve
<i>Material</i>	Bush hammered copper
<i>Media</i>	Tumbled lava rock

MODERNO 3



SPECIFICATIONS

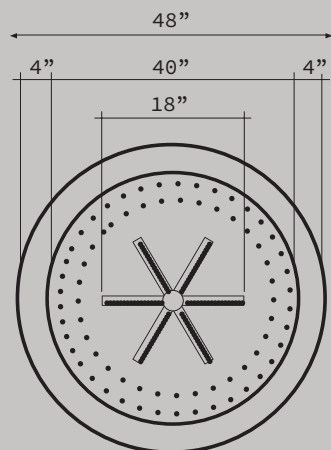
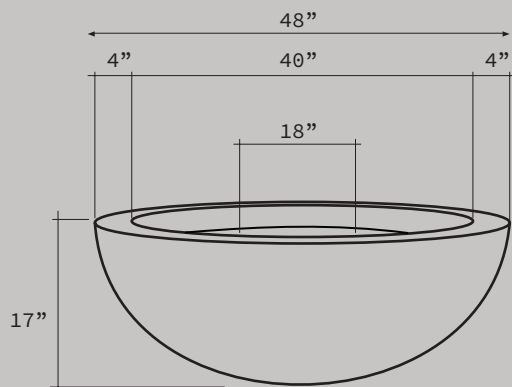
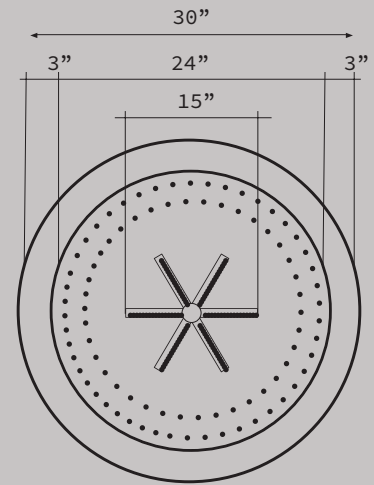
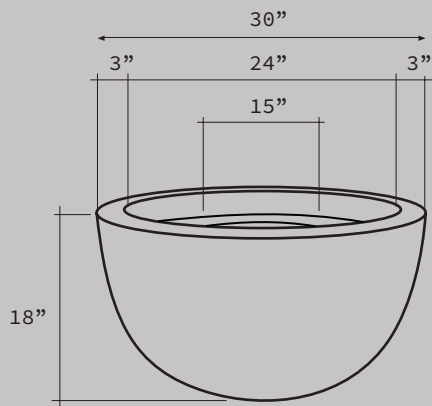
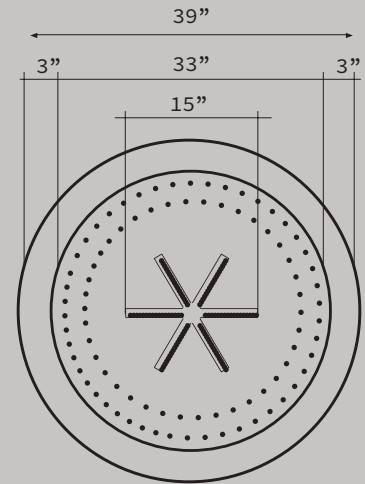
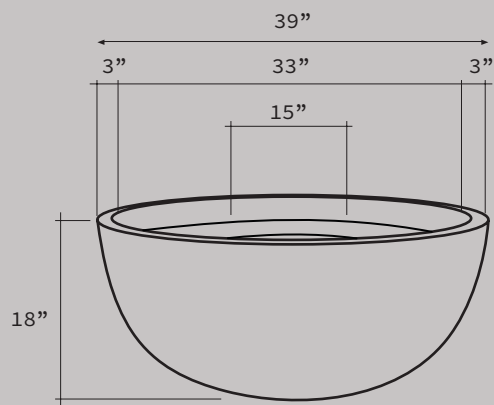
<i>Diameter</i>	30"
<i>Surface</i>	3"
<i>Height</i>	18"
<i>Burner Size</i>	15"/65,000 BTUs
<i>Weight</i>	51 lbs.
<i>Fuel Source</i>	LP or NG
<i>Ignition</i>	Key valve
<i>Material</i>	Bush hammered copper
<i>Media</i>	Tumbled lava rock

MODERNO 4



SPECIFICATIONS

<i>Diameter</i>	48"
<i>Surface</i>	4"
<i>Height</i>	17"
<i>Burner Size</i>	18"/65,000 BTUs
<i>Weight</i>	102 lbs.
<i>Fuel Source</i>	LP or NG
<i>Ignition</i>	Key valve
<i>Material</i>	Bush hammered copper
<i>Media</i>	Tumbled lava rock





DESIGNER COLLABORATIONS



SUNFLOWER

PRISM HARDSCAPES has teamed up with forward-thinking designers to bring modern, cutting-edge designs to the marketplace. New and distinct design elements will be the key feature for these new products that are sure to be a beautiful addition to any outdoor lounge space.

Explore the creations that have resulted from the collaboration between PRISM HARDSCAPES and some of the top creative minds in the outdoor living space industry today.

MODERN COLLECTION

The MODERN COLLECTION brings the newest designs to PRISM HARDSCAPES. It gets its name from modern contemporary designs from the minds of the best and brightest creatives of today, allowing the collection to stand out from anything else currently on the market.

Great design and exceptional craftsmanship have the power to bring people together, creating meaningful conversation and lasting memories.



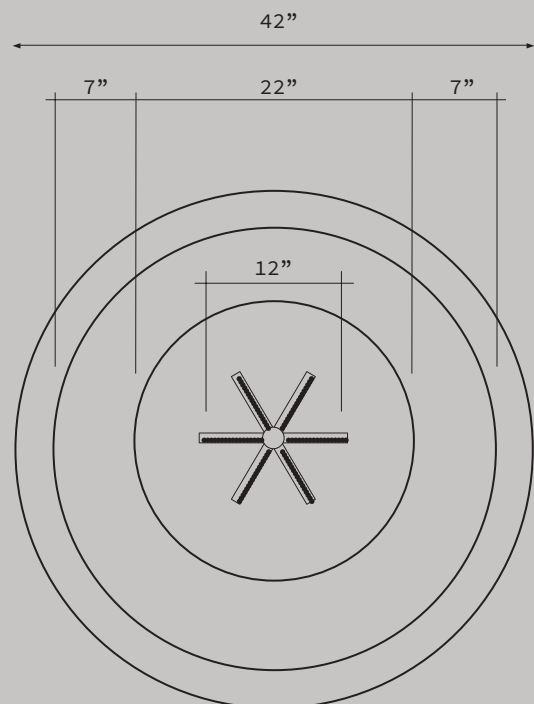
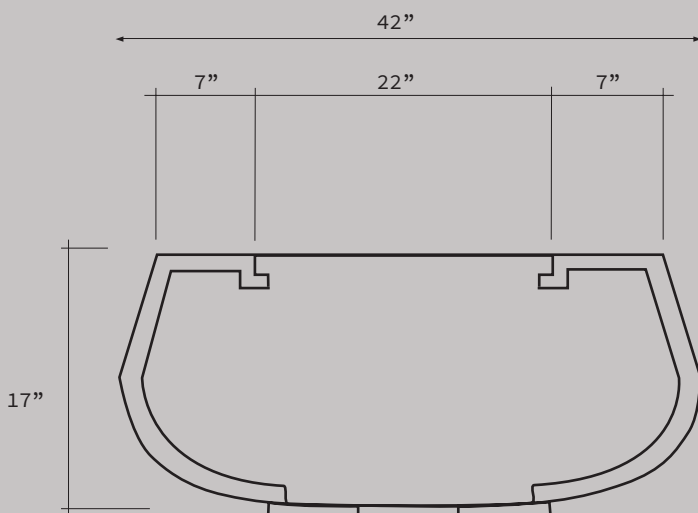
OASIS



OASIS

SPECIFICATIONS

<i>Diameter</i>	42" (36" & 48" also available)
<i>Height</i>	16"
<i>Surface</i>	7½"
<i>Burner Size</i>	15"/65,000 BTUs
<i>Weight</i>	210 lbs.
<i>Fuel Source</i>	Liquid propane or natural gas
<i>Ignition</i>	Manual light (key valve) - Electronic Ignition available
<i>Material</i>	Glass fiber reinforced concrete
<i>Media</i>	Lava rock

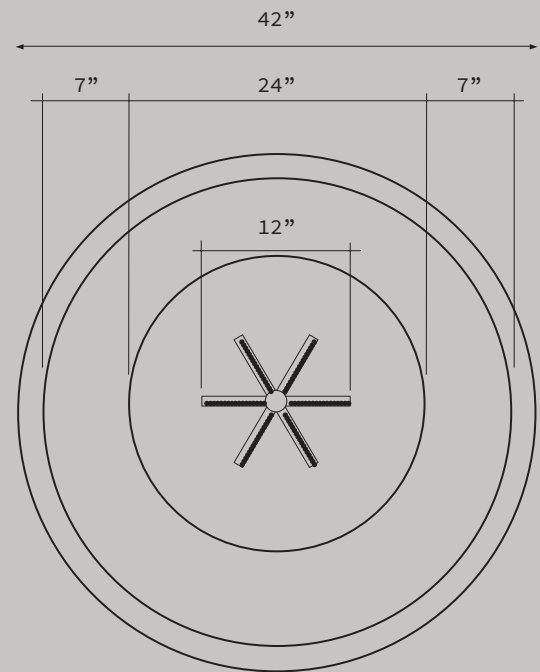
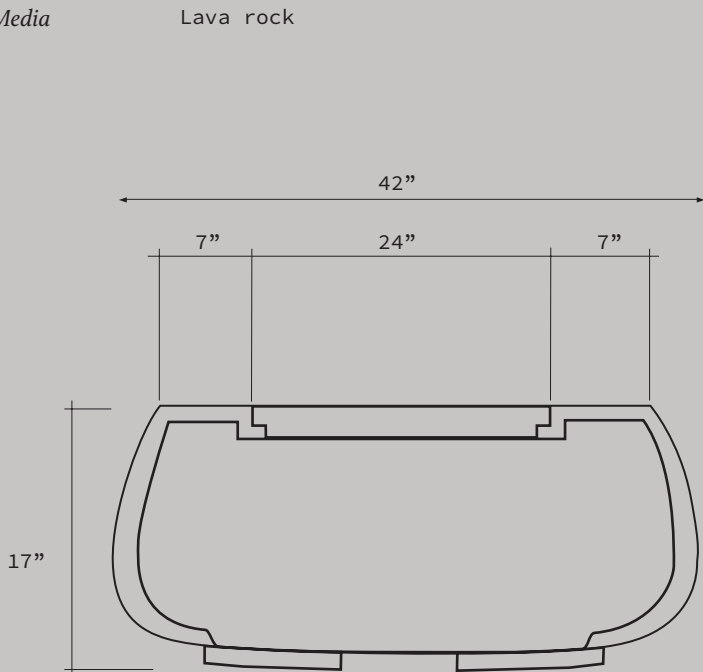




DUNE

SPECIFICATIONS

<i>Diameter bottom</i>	42"
<i>Diameter top</i>	36"
<i>Height</i>	17"
<i>Weight</i>	210 lbs.
<i>Surface</i>	7"
<i>Fuel Source</i>	Liquid propane or natural gas
<i>Ignition</i>	Key valve
<i>Material</i>	Glass fiber reinforced concrete
<i>Media</i>	Lava rock



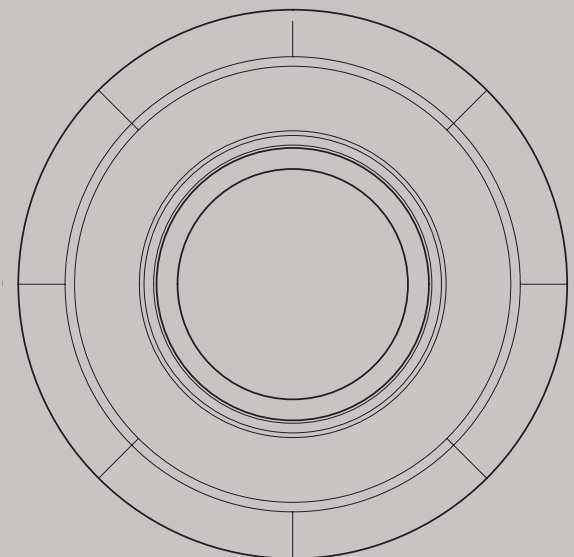
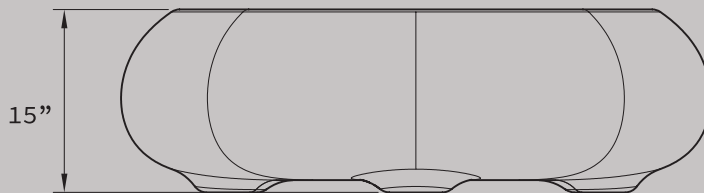
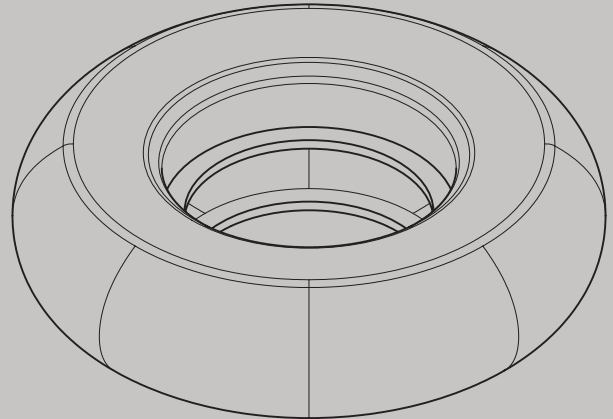
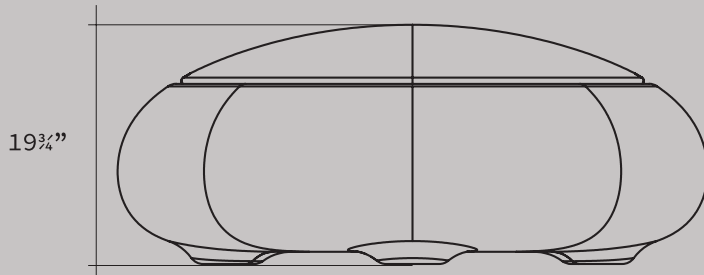
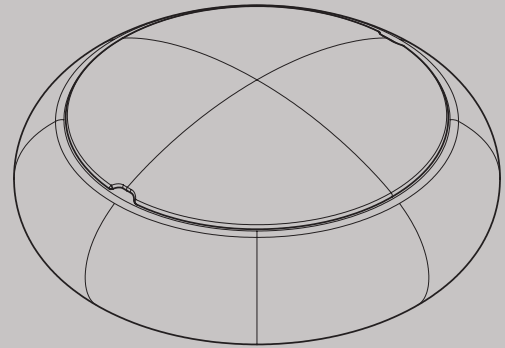


DUNE

PIETRA

SPECIFICATIONS

<i>Diameter</i>	48 $\frac{3}{4}$ "
<i>Height</i>	19 $\frac{3}{4}$ "
<i>Surface</i>	10"
<i>Burner Size</i>	30" / 65,000 BTUs
<i>Weight</i>	320 lbs.
<i>Fuel Source</i>	LP or NG
<i>Ignition</i>	PH-Ignite(Electronic)/key valve)
<i>Material</i>	Glass fiber reinforced concrete
<i>Media</i>	Tumbled lava rock



Diameter: 48 $\frac{3}{4}$ "



PIETRA

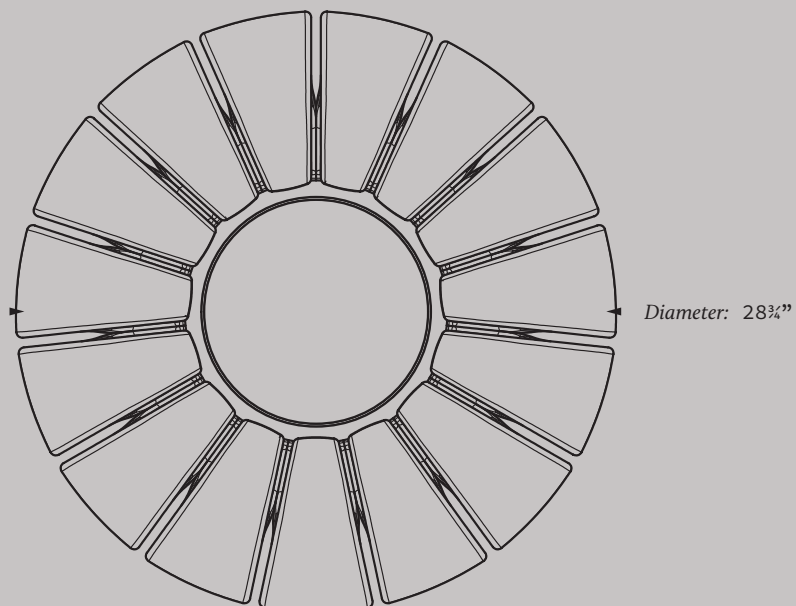
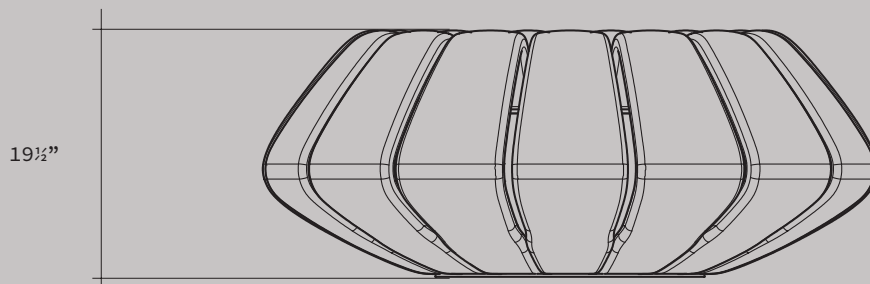


SUNFLOWER

SUNFLOWER

SPECIFICATIONS

<i>Diameter</i>	28¾"
<i>Height</i>	19½"
<i>Surface</i>	9"
<i>Burner Size</i>	24"/65,000 BTUs
<i>Weight</i>	650 lbs.
<i>Fuel Source</i>	Liquid propane or natural gas
<i>Ignition</i>	Manual light(key valve) Electronic ignition available
<i>Material</i>	Glass fiber reinforced concrete
<i>Media</i>	Lava rock



ELEMENTS COLLECTION

The ELEMENTS COLLECTION offers beautiful pieces that combine 3 main elements: wood, concrete, and metal. A stout powder-coated metal frame is the foundation for all of the collection's fire features. Sturdy glass fiber reinforced concrete makes for a durable yet smooth-looking top centerpiece, while South American hardwood adds a decorative and refined appearance.

The contrasting organic and industrial elements combine to create a look that is both intriguing and timeless.

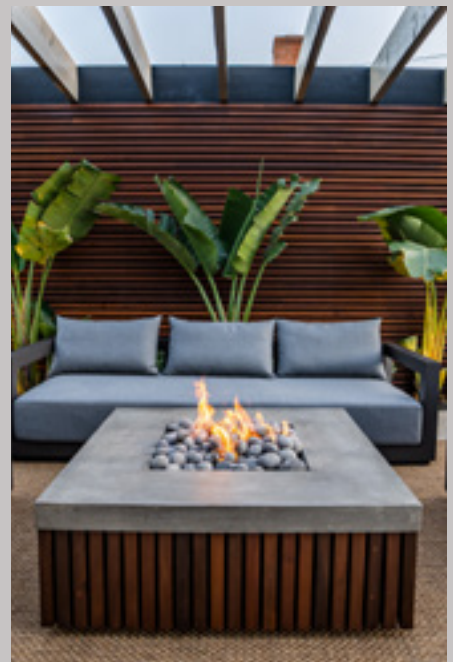




FAIRMONT



HAMPTON



MANCHESTER

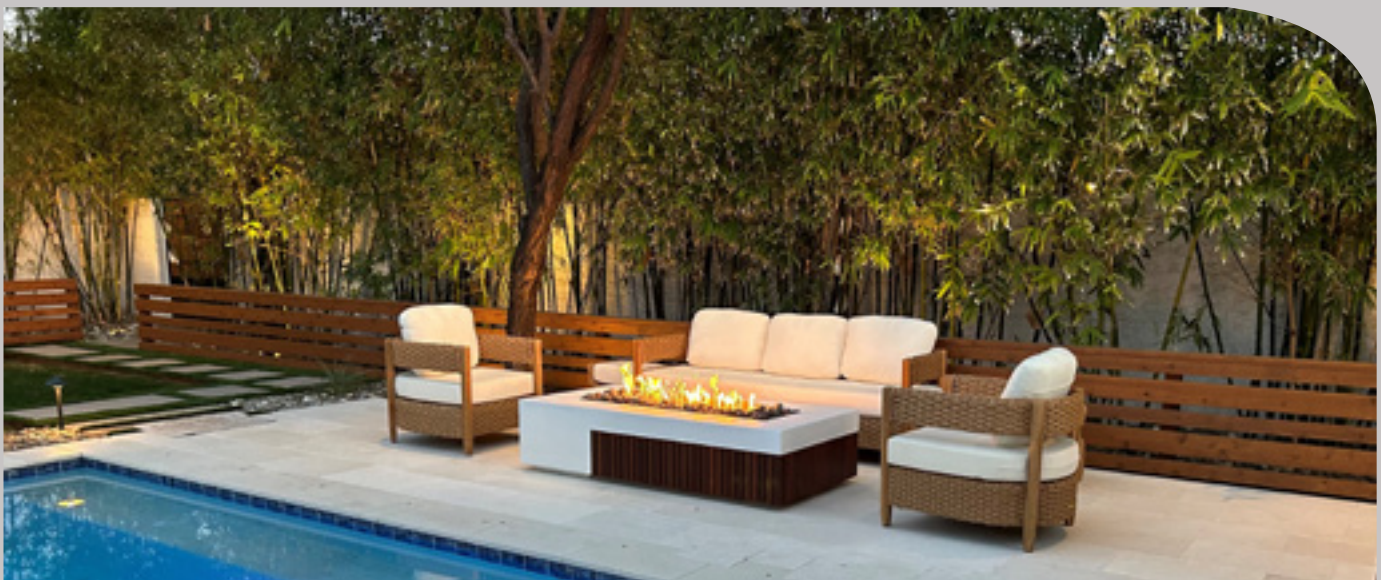
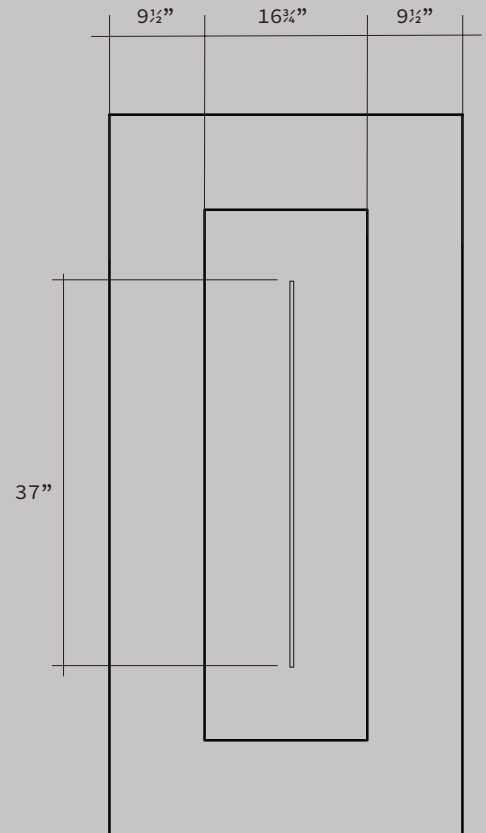
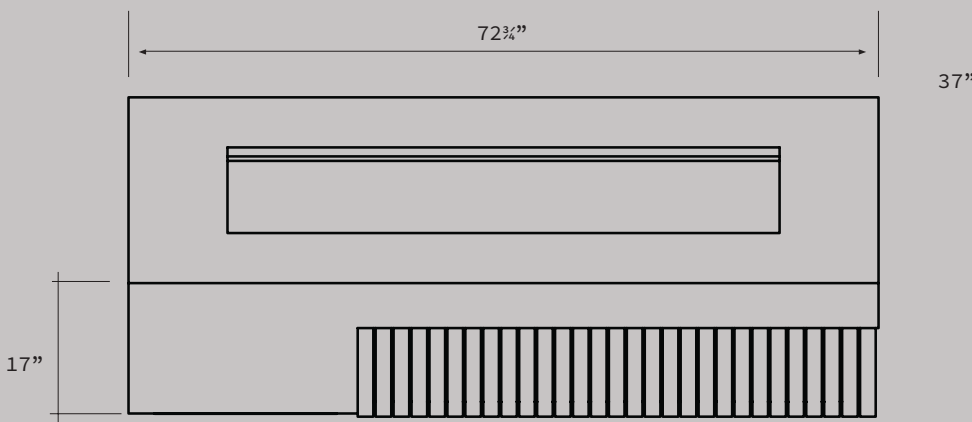


FAIRMONT

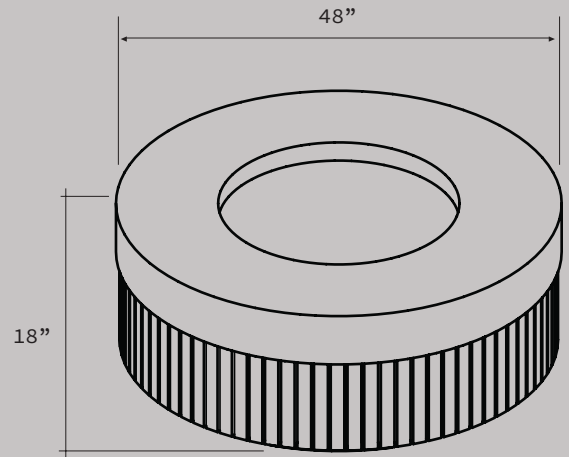
FAIRMONT

SPECIFICATIONS

<i>Width</i>	35 $\frac{3}{4}$ "
<i>Length</i>	72 $\frac{3}{4}$ "
<i>Height</i>	17"
<i>Surface</i>	9 $\frac{1}{2}$ "
<i>Burner Size</i>	37" / 65,000 BTUs
<i>Weight</i>	450 lbs.
<i>Fuel Source</i>	LP or NG
<i>Ignition</i>	Key valve
<i>Materials</i>	Glass fiber reinforced concrete Brazilian wood (outer) Metal frame (inner)
<i>Media</i>	Tumbled lava rock

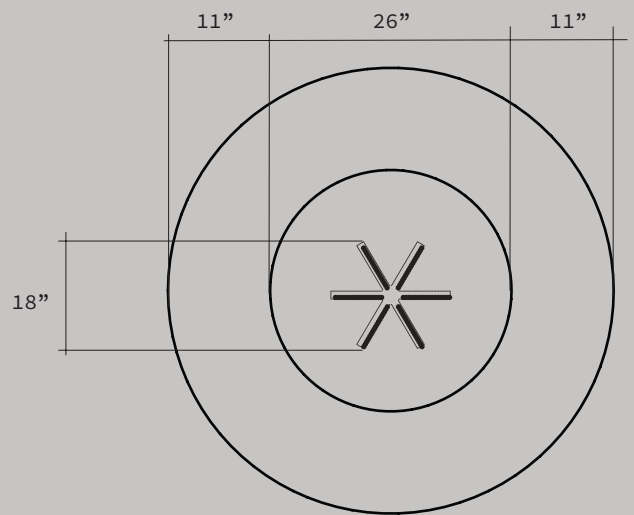


HAMPTON



SPECIFICATIONS

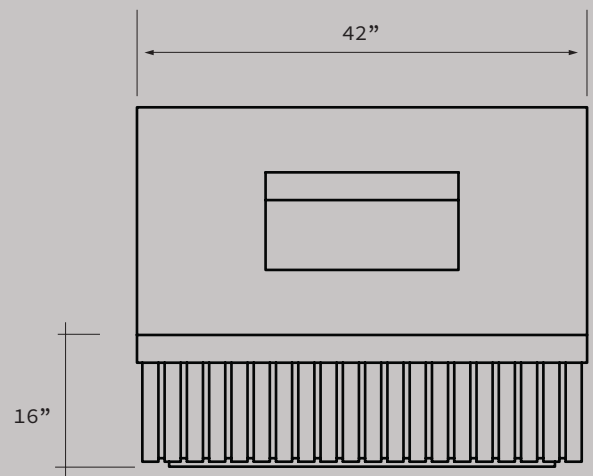
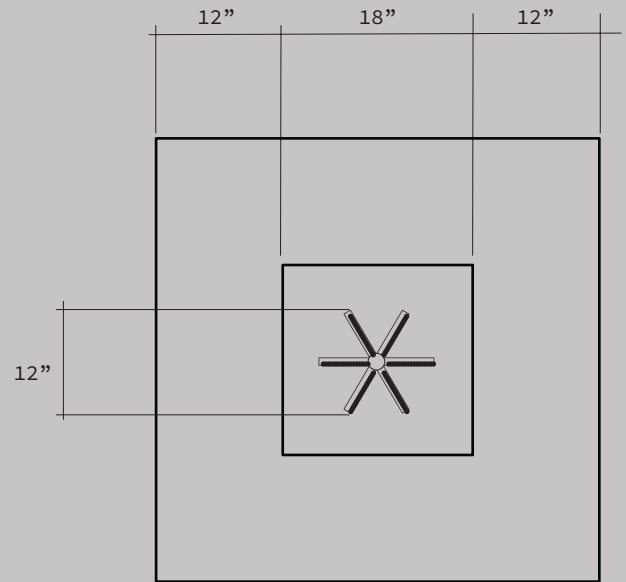
<i>Diameter</i>	48"
<i>Height</i>	18"
<i>Surface</i>	11"
<i>Burner Size</i>	18"/65,000 BTUs
<i>Weight</i>	430 lbs.
<i>Fuel Source</i>	LP or NG
<i>Ignition</i>	Key valve
<i>Materials</i>	Glass fiber reinforced concrete Brazilian wood (outer) Metal frame (inner)
<i>Media</i>	Tumbled lava rock



MANCHESTER

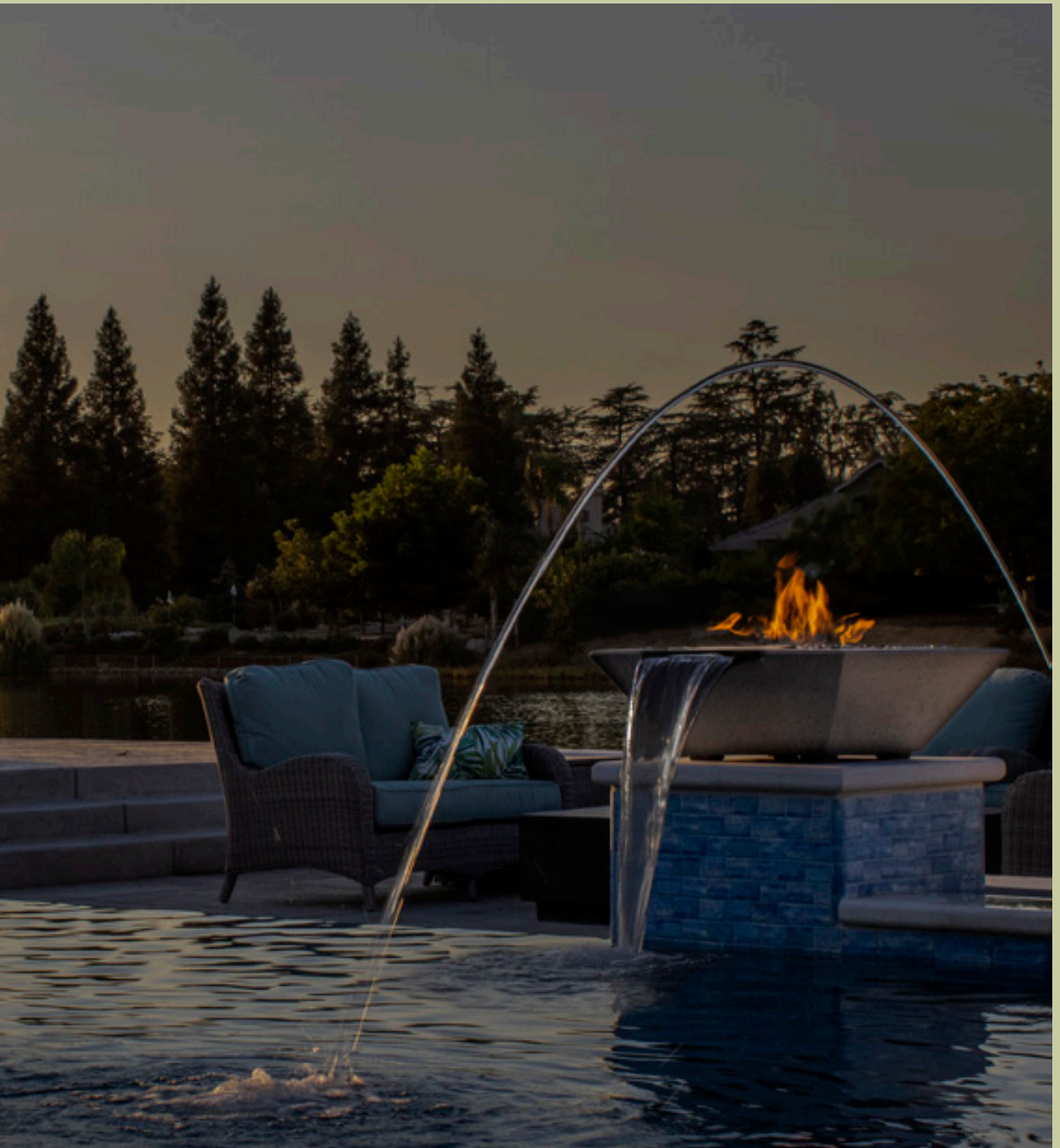
SPECIFICATIONS

<i>Width</i>	42"
<i>Length</i>	42"
<i>Height</i>	16"
<i>Surface</i>	12"
<i>Burner Size</i>	12"/65,000 BTUs
<i>Weight</i>	450 lbs.
<i>Fuel Source</i>	LP or NG
<i>Ignition</i>	Key valve
<i>Materials</i>	Glass fiber reinforced concrete Brazilian wood (outer) Metal frame (inner)
<i>Media</i>	Tumbled lava rock





POOLSIDE COLLECTION

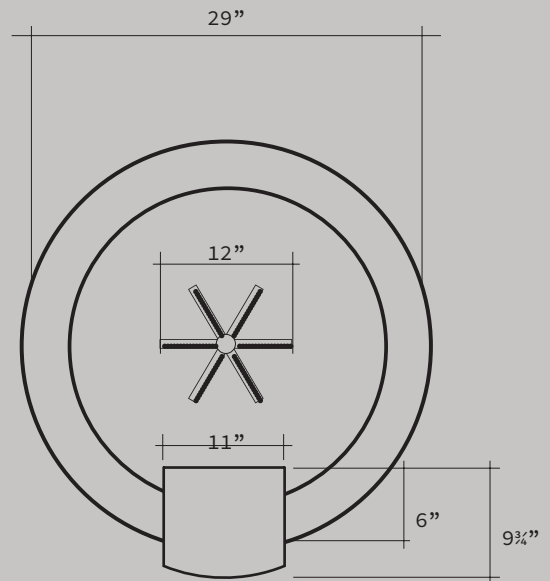
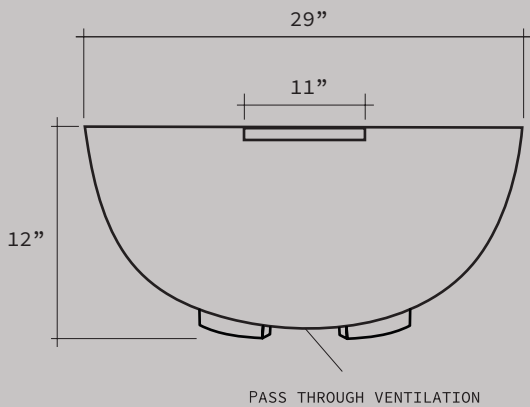


*We bring two elements of a beautiful poolside area with our **POOLSIDE COLLECTION**. Live in the lap of luxury with the combination of fire and water that will dazzle the night and allow you to relax to the soothing sounds of falling water. Enjoy our most popular designs with this new addition to our diverse lineup of products.*

MODERNO 2-P

SPECIFICATIONS

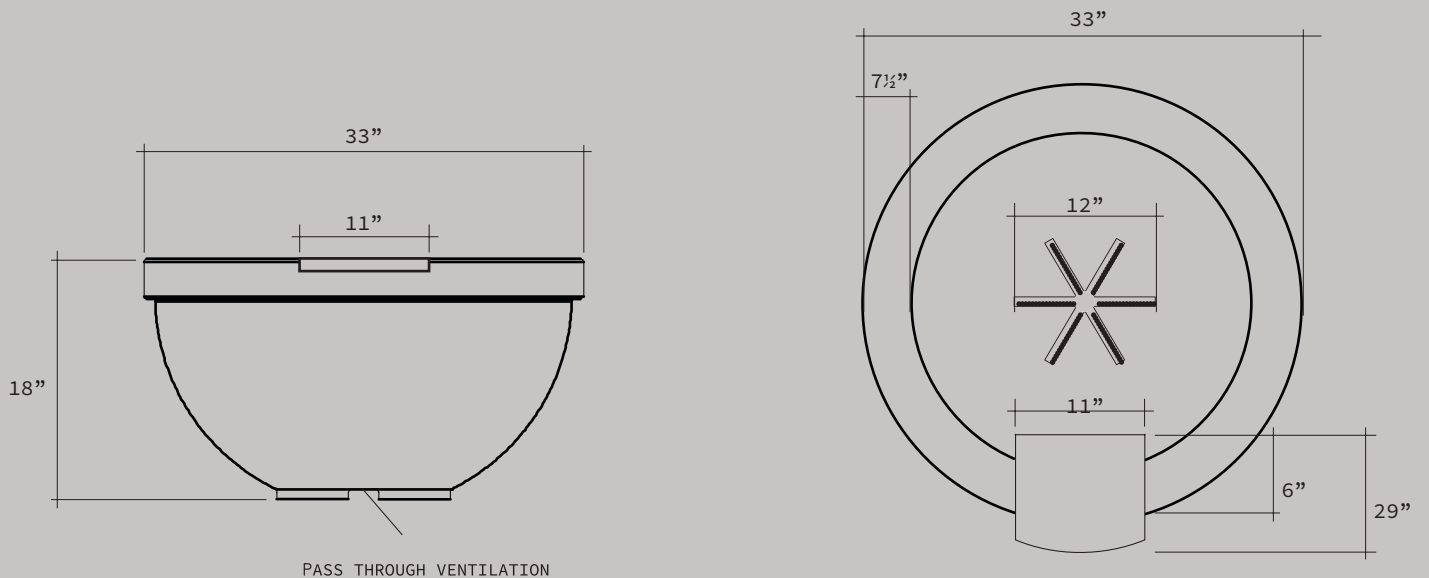
<i>Diameter</i>	29"
<i>Height</i>	12"
<i>Water Flow</i>	15 GPM
<i>Connection</i>	¾" NPT
<i>Burner Size</i>	12" 6-spoke/65,000-85,000 BTUs (ML/E)
<i>Weight</i>	110 lbs.
<i>Fuel Source</i>	Liquid propane or natural gas
<i>Ignition</i>	PH-Ignite(Electronic)/Key valve(match light)
<i>Material</i>	Glass fiber reinforced concrete
<i>Media</i>	Lava rock



SORRENTO

SPECIFICATIONS

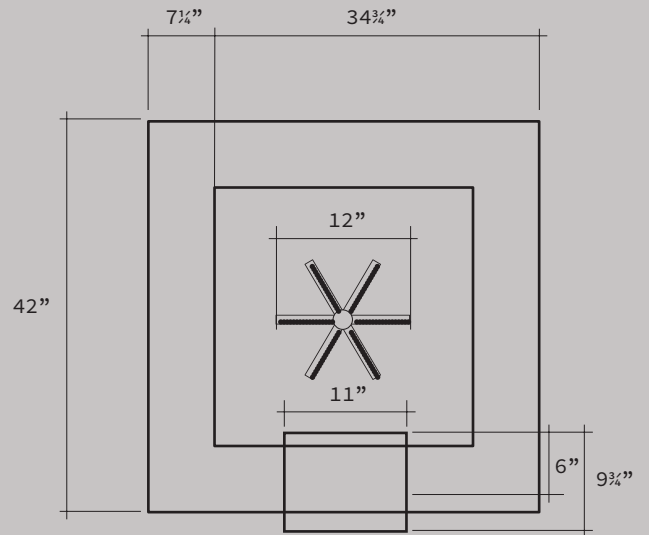
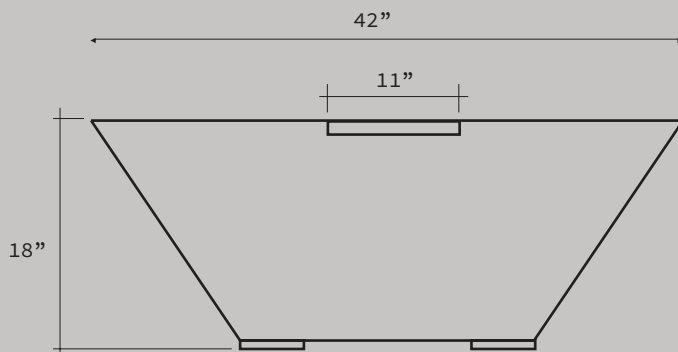
<i>Diameter</i>	33"
<i>Height</i>	18"
<i>Water Flow</i>	15 GPM
<i>Connection</i>	¾" NPT
<i>Burner Size</i>	12" 6-spoke/65,000-85,000 BTUs (ML/E)
<i>Weight</i>	196 lbs.
<i>Fuel Source</i>	Liquid propane or natural gas
<i>Ignition</i>	PH-Ignite(Electronic)/Key valve(match light)
<i>Material</i>	Glass fiber reinforced concrete
<i>Media</i>	Lava rock



LOMBARD-P TALL

SPECIFICATIONS

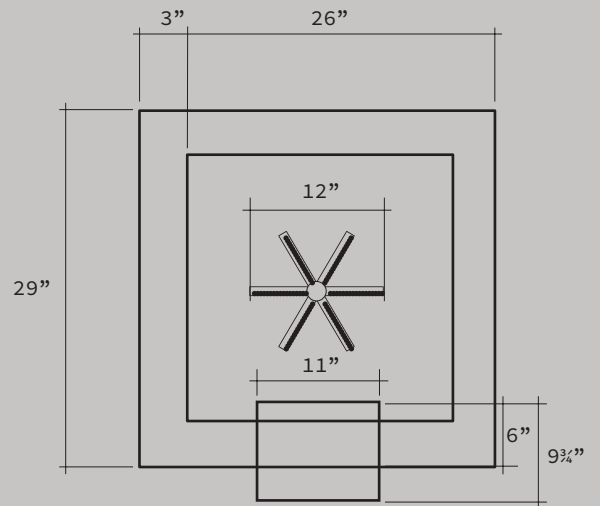
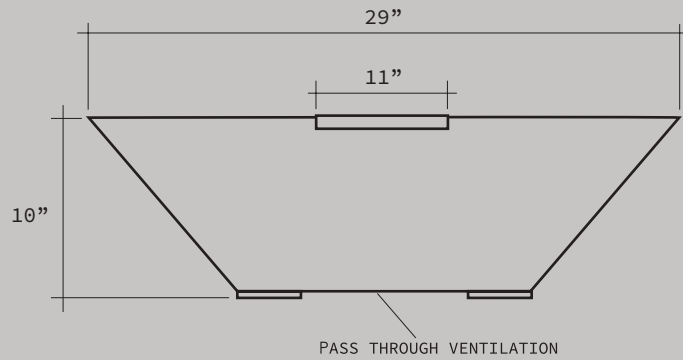
<i>Diameter</i>	42"
<i>Height</i>	18"
<i>Water Flow</i>	15 GPM
<i>Connection</i>	¾" NPT
<i>Burner Size</i>	12" 6-spoke/65,000-85,000 BTUs (ML/E)
<i>Weight</i>	280 lbs.
<i>Fuel Source</i>	Liquid propane or natural gas
<i>Ignition</i>	PH-Ignite(Electronic)/Key valve(match light)
<i>Material</i>	Glass fiber reinforced concrete
<i>Media</i>	Lava rock



LOMBARD-P

SPECIFICATIONS

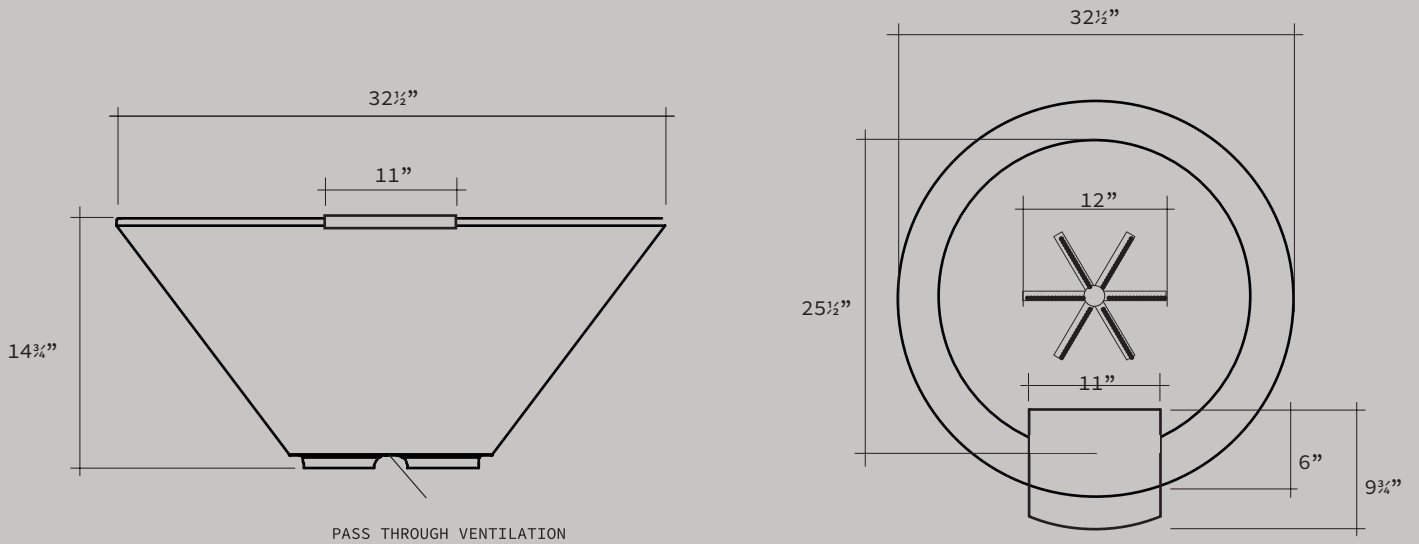
<i>Diameter</i>	29"
<i>Height</i>	10"
<i>Water Flow</i>	15 GPM
<i>Connection</i>	¾" NPT
<i>Burner Size</i>	12" 6-spoke/65,000-85,000 BTUs (ML/E)
<i>Weight</i>	90 lbs.
<i>Fuel Source</i>	Liquid propane or natural gas
<i>Ignition</i>	PH-Ignite(Electronic)/Key valve(match light)
<i>Material</i>	Glass fiber reinforced concrete
<i>Media</i>	Lava rock



VERONA

SPECIFICATIONS

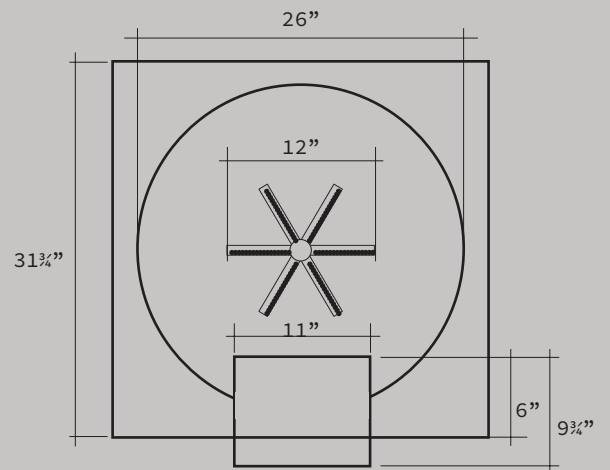
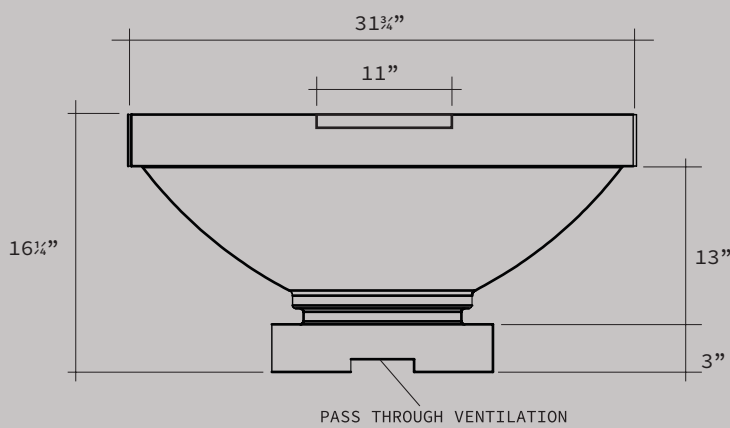
<i>Diameter</i>	32½"
<i>Height</i>	14¾"
<i>Water Flow</i>	15 GPM
<i>Connection</i>	¾" NPT
<i>Burner Size</i>	12" 6-spoke/65,000-85,000 BTUs (ML/E)
<i>Weight</i>	140 lbs.
<i>Fuel Source</i>	Liquid propane or natural gas
<i>Ignition</i>	PH-Ignite(Electronic)/Key valve(match light)
<i>Material</i>	Glass fiber reinforced concrete
<i>Media</i>	Lava rock



IBIZA

SPECIFICATIONS

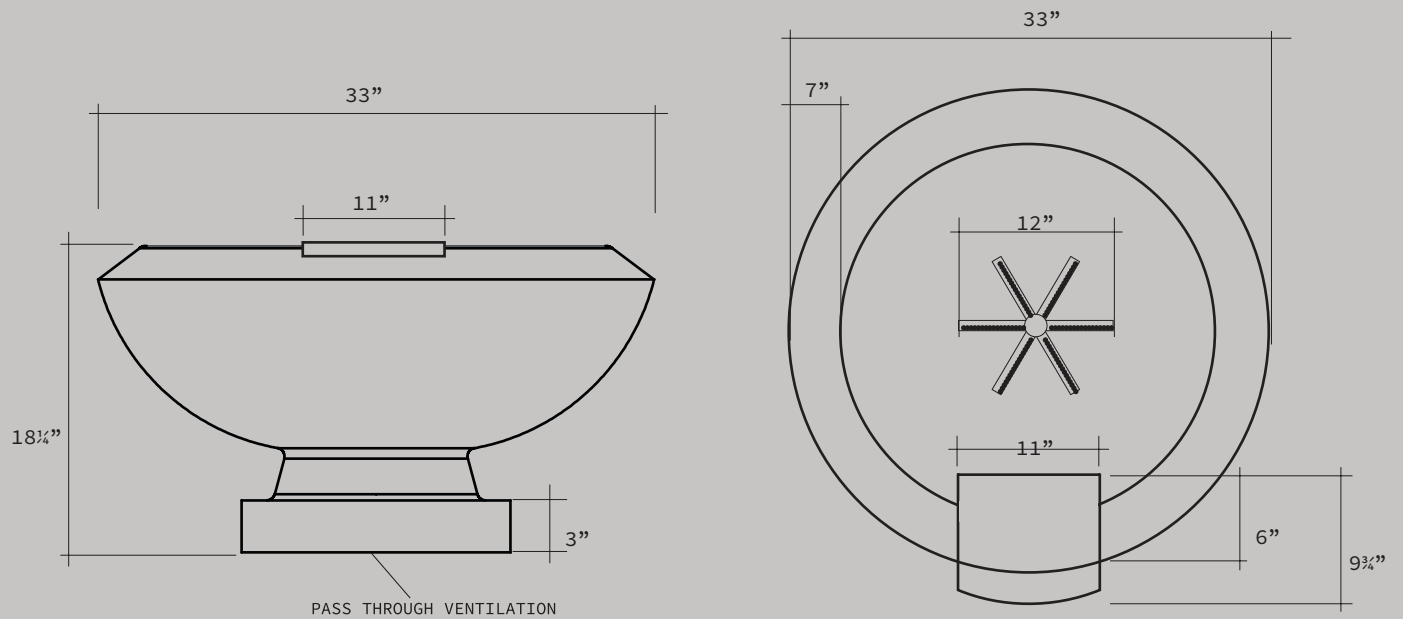
<i>Diameter</i>	31 $\frac{3}{4}$ "
<i>Height</i>	16 $\frac{3}{4}$ "
<i>Water Flow</i>	15 GPM
<i>Connection</i>	$\frac{3}{4}$ " NPT
<i>Burner Size</i>	12" 6-spoke/65,000-85,000 BTUs (ML/E)
<i>Weight</i>	176 lbs.
<i>Fuel Source</i>	Liquid propane or natural gas
<i>Ignition</i>	PH-Ignite(Electronic)/Key valve(match light)
<i>Material</i>	Glass fiber reinforced concrete
<i>Media</i>	Lava rock



TOSCANO

SPECIFICATIONS

<i>Diameter</i>	33"
<i>Height</i>	18 $\frac{3}{4}$ "
<i>Water Flow</i>	15 GPM
<i>Connection</i>	$\frac{3}{4}$ " NPT
<i>Burner Size</i>	12" 6-spoke/65,000-85,000 BTUs (ML/E)
<i>Weight</i>	180 lbs.
<i>Fuel Source</i>	Liquid propane or natural gas
<i>Ignition</i>	PH-Ignite(Electronic)/Key valve(match light)
<i>Material</i>	Glass fiber reinforced concrete
<i>Media</i>	Lava rock



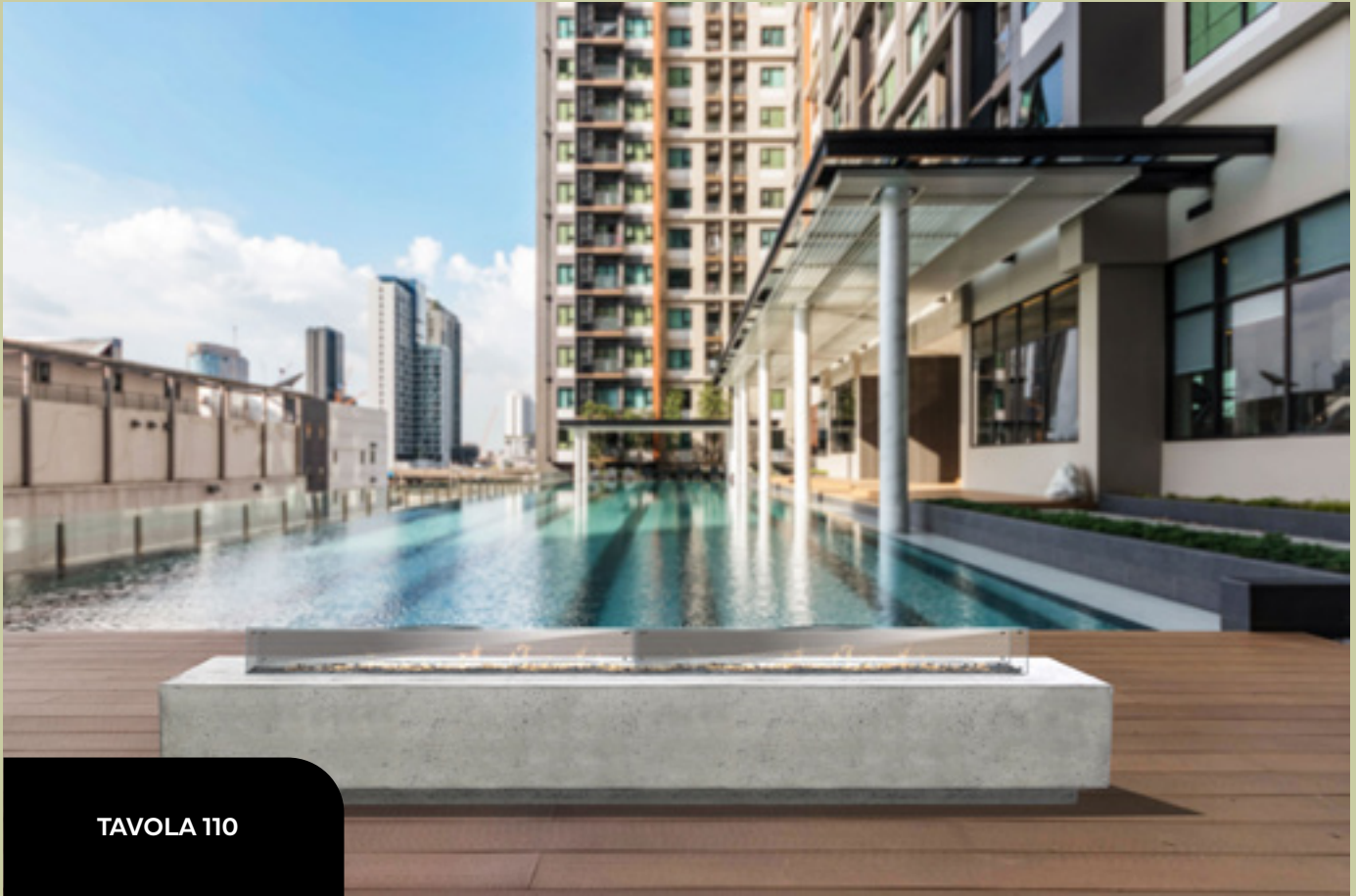


IBIZA



FUEGO 89

HOSPITALITY COLLECTION

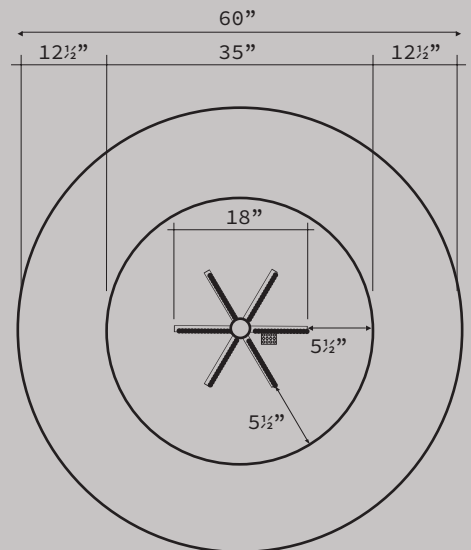
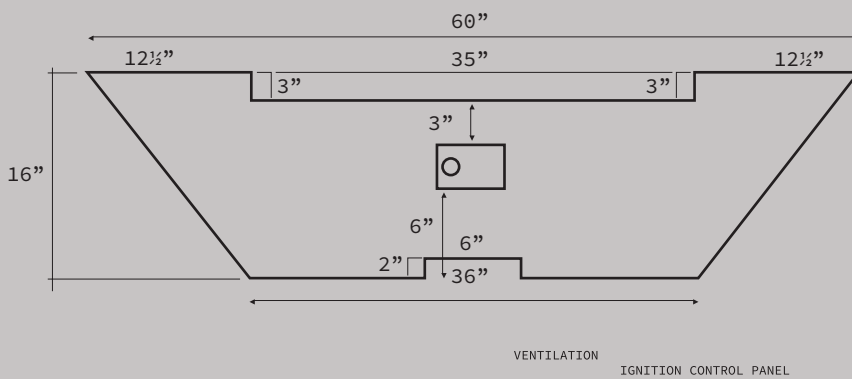
**TAVOLA 110**

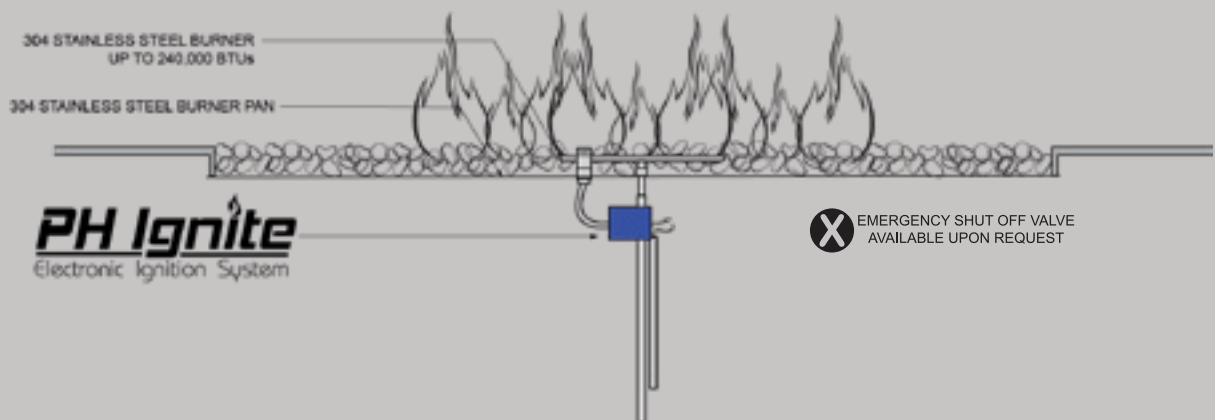
Bring guests into the lap of luxury with the HOSPITALITY COLLECTION. The collection has a wide variety of solutions for hotels, resorts, apartment communities, restaurants, shopping centers, and more in the hospitality sector. The large fire features cover wide open spaces and the furniture pieces allow guests to lounge, laugh, and enjoy life comfortably outdoors.

EMBARCADERO 60

SPECIFICATIONS

<i>Diameter</i>	60"
<i>Height</i>	16"
<i>Surface</i>	12½"
<i>Burner Size</i>	18"/65,000 BTUs
<i>Weight</i>	550 lbs.
<i>Fuel Source</i>	Liquid propane (larger tanks only) or natural gas
<i>Ignition</i>	PH-Ignite (Electronic)
<i>Material</i>	Glass fiber reinforced concrete
<i>Media</i>	Tumbled lava rock

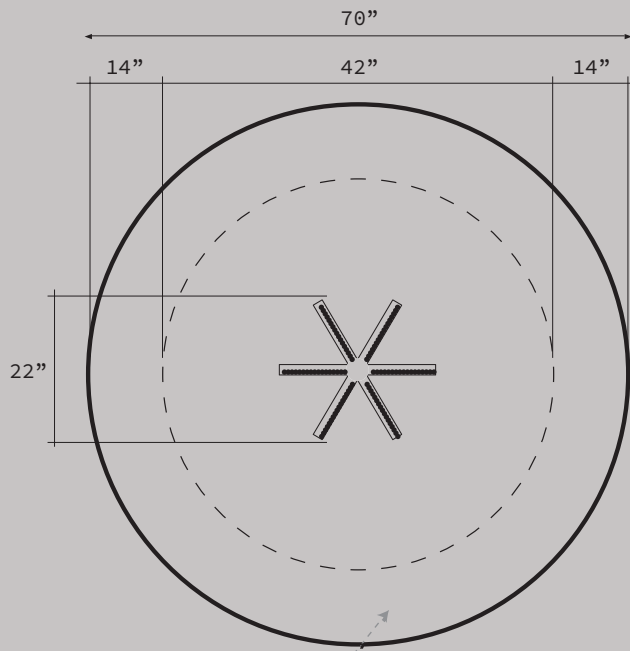
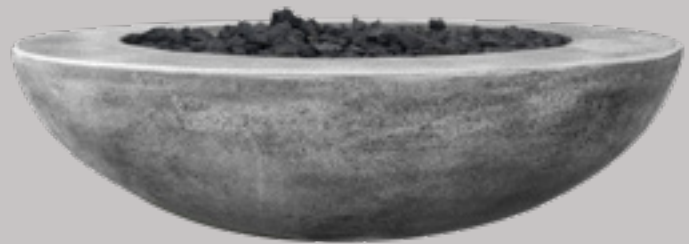




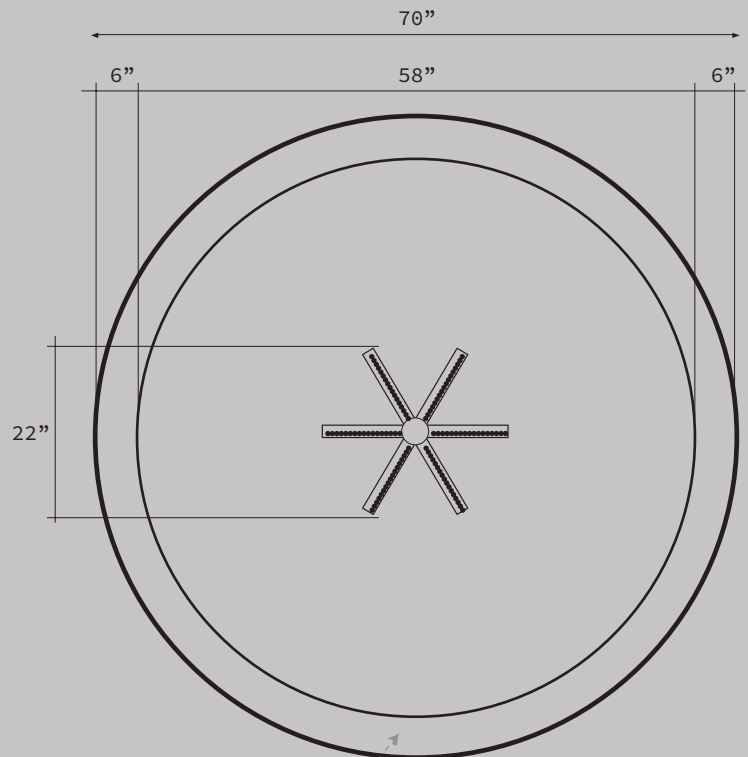
MODERNO 70

SPECIFICATIONS

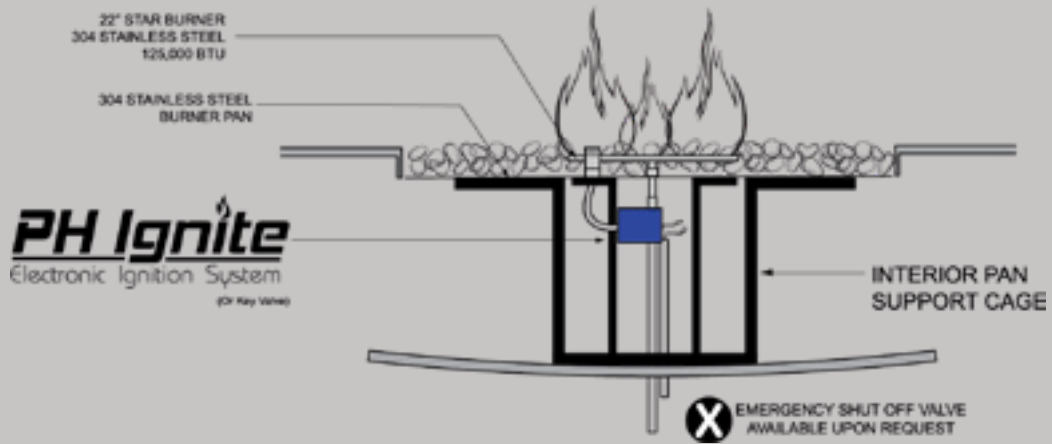
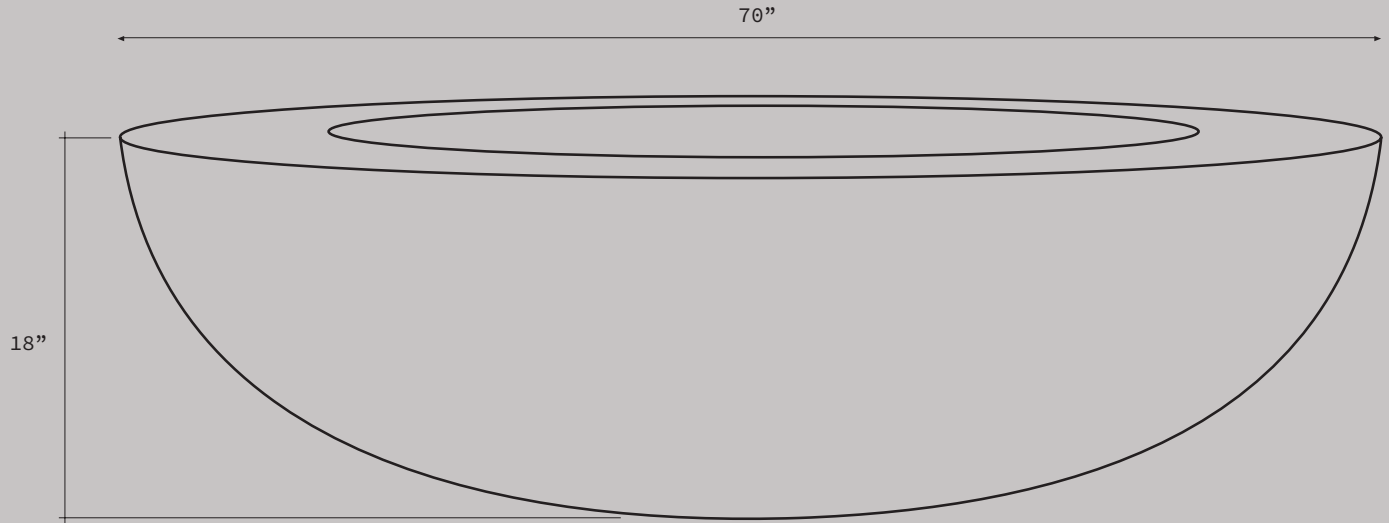
<i>Diameter</i>	70"
<i>Height</i>	18"
<i>Surface</i>	6" (Also available in 14")
<i>Burner Size</i>	22"/65,000 BTUs
<i>Weight</i>	650 lbs.
<i>Fuel Source</i>	Natural gas or liquid propane (larger tanks only)
<i>Ignition</i>	PH-Ignite (Electronic)
<i>Material</i>	Glass fiber reinforced concrete
<i>Media</i>	Tumbled lava rock



Available with 14" surface



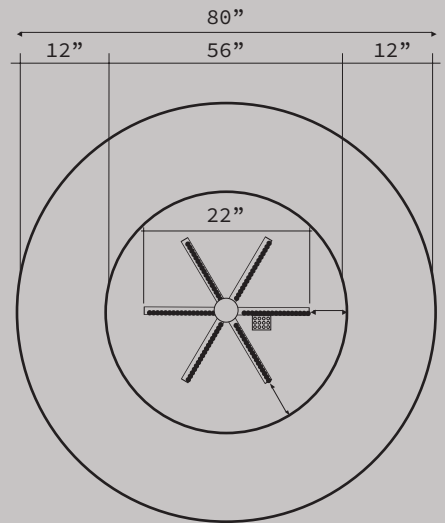
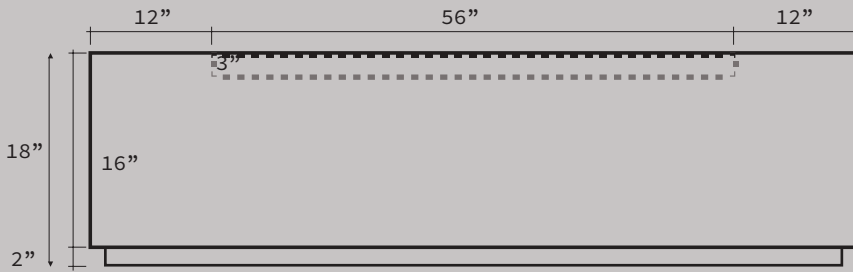
6" standard surface

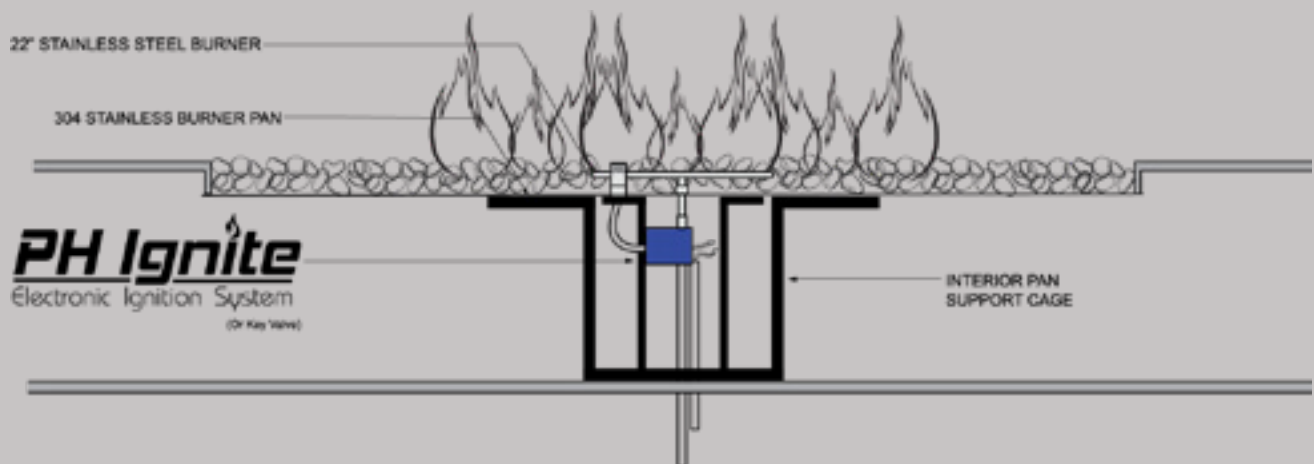


ROTONDO 80

SPECIFICATIONS

<i>Diameter</i>	80"
<i>Height</i>	18"
<i>Surface</i>	12"
<i>Burner Size</i>	22"/65,000 BTUs
<i>Weight</i>	700 lbs.
<i>Fuel Source</i>	Natural gas or liquid propane (larger tanks only)
<i>Ignition</i>	PH-Ignite (Electronic)
<i>Material</i>	Glass fiber reinforced concrete
<i>Media</i>	Tumbled lava rock

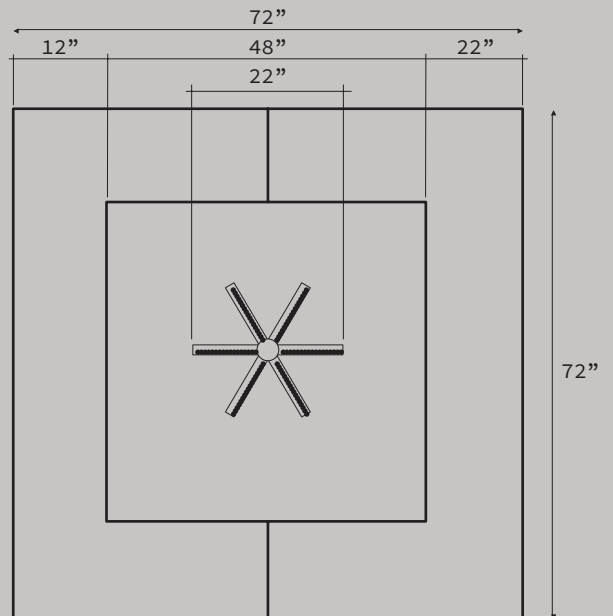
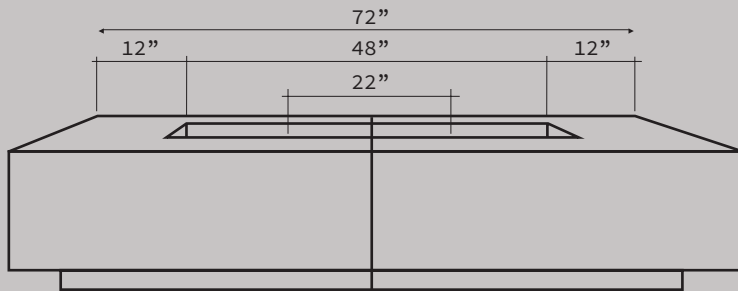


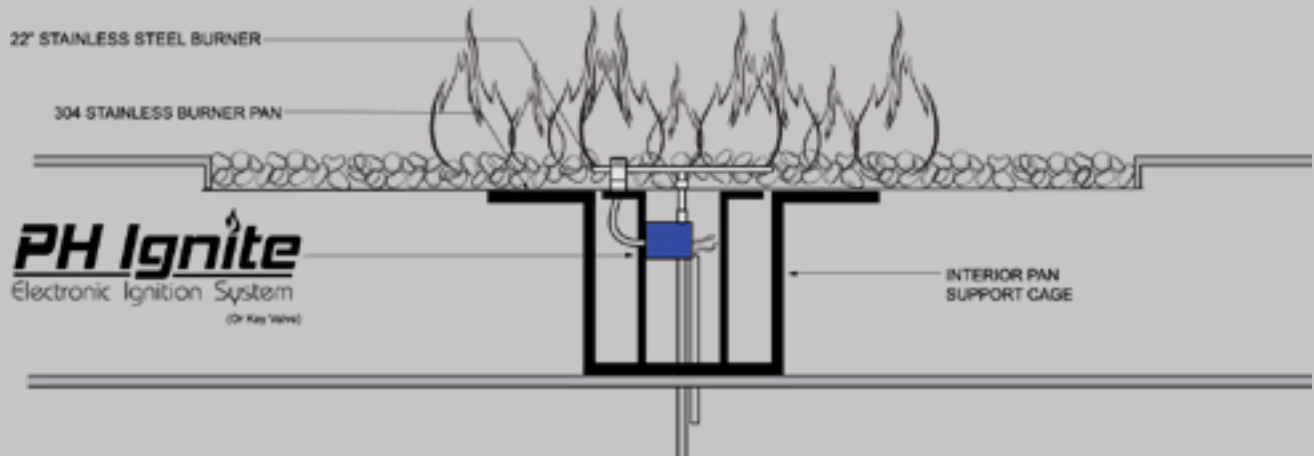


LARGO 72

SPECIFICATIONS

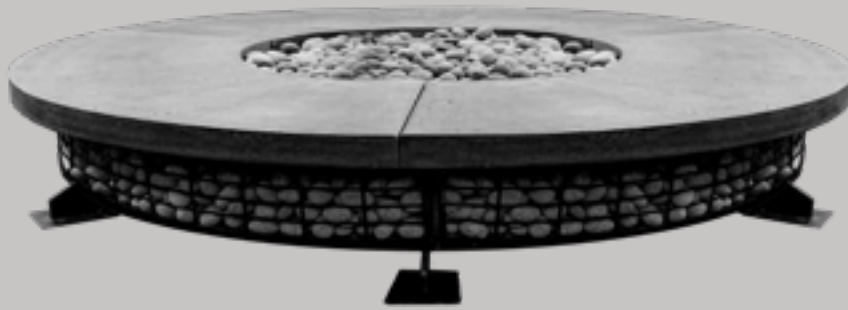
<i>Width</i>	72" (96" also available)
<i>Length</i>	72"
<i>Height</i>	16"
<i>Surface</i>	12"
<i>Burner Size</i>	22"/125,000BTUs
<i>Weight</i>	910 lbs.
<i>Fuel Source</i>	Natural gas or liquid propane (larger tanks only)
<i>Ignition</i>	PH-Ignite (Electronic)
<i>Material</i>	Glass fiber reinforced concrete
<i>Media</i>	Tumbled lava rock





FUEGO SERIES

FUEGO 89



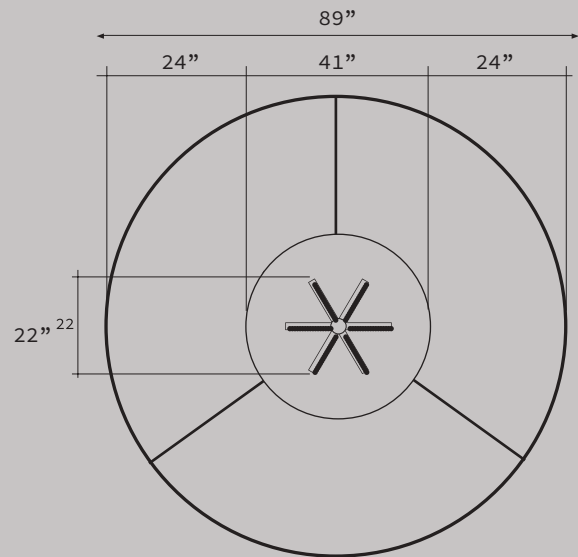
FUEGO 54



FUEGO 89

SPECIFICATIONS

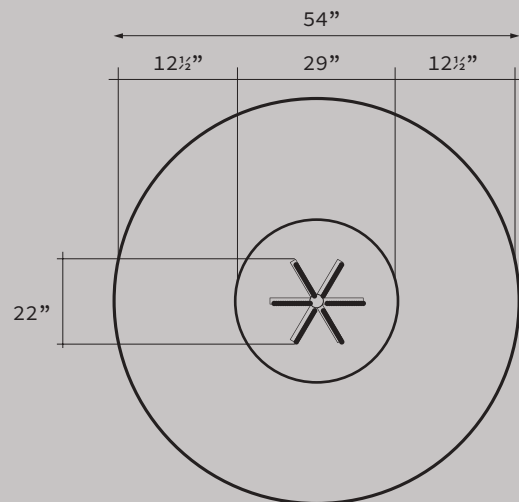
<i>Diameter</i>	89"
<i>Height</i>	16½"
<i>Surface</i>	24"
<i>Burner Size</i>	22"/125,000 BTUs
<i>Weight</i>	1050 lbs.
<i>Fuel Source</i>	Natural gas or liquid propane (larger tanks only)
<i>Ignition</i>	PH-Ignite (Electronic)
<i>Material</i>	Glass fiber reinforced concrete
<i>Media</i>	Tumbled lava rock



FUEGO 54

SPECIFICATIONS

<i>Diameter</i>	54"
<i>Height</i>	16½"
<i>Surface</i>	12½"
<i>Burner Size</i>	22"/125,000 BTUs
<i>Weight</i>	550 lbs.
<i>Fuel Source</i>	Natural gas or liquid propane (larger tanks only)
<i>Ignition</i>	PH-Ignite (Electronic)
<i>Materials</i>	Glass fiber reinforced concrete/ Powder coated steel
<i>Media</i>	Tumbled lava rock



DIVANO



DIVANO

GFRC COLOR OPTIONS

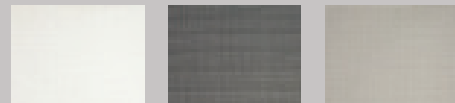


Pewter

Natural

Ebony

CUSHION/PILLOW COLOR
OPTIONS (SOLD SEPARATELY)

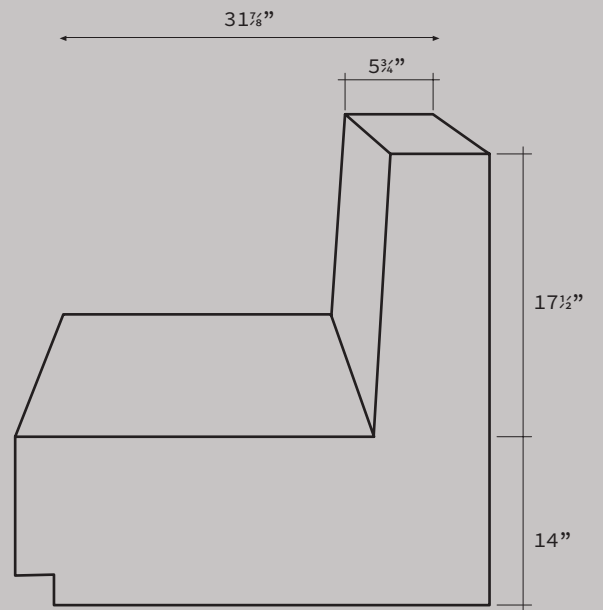
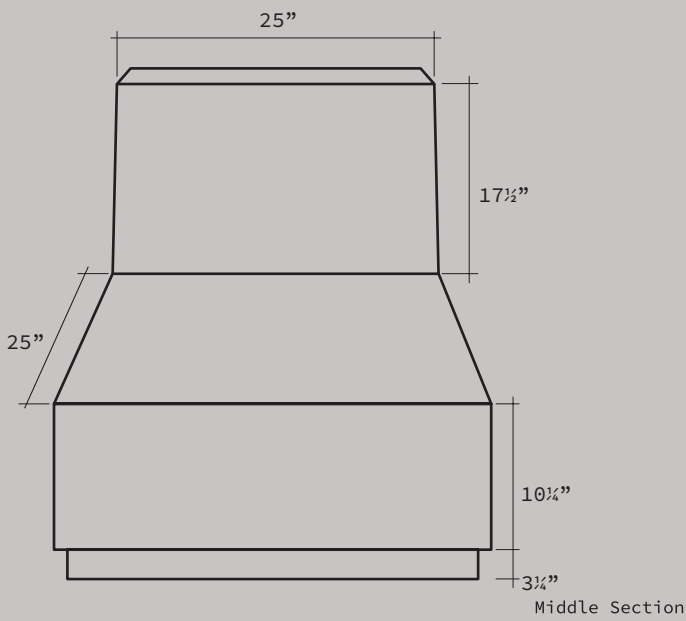
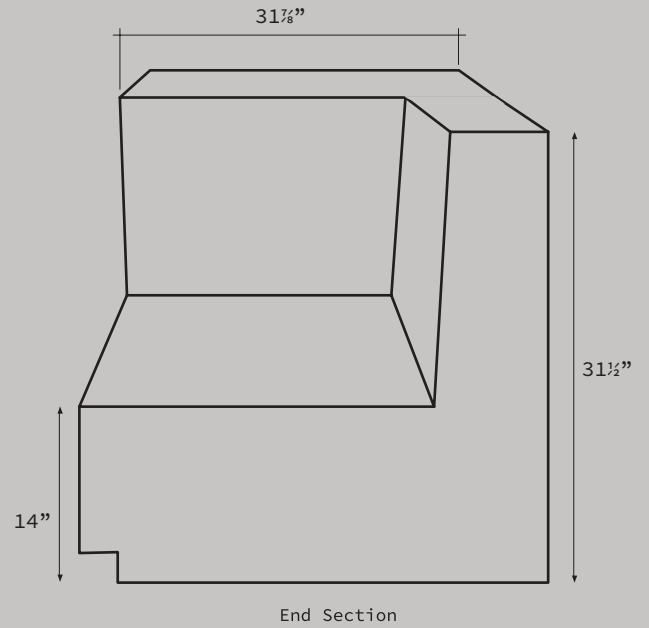
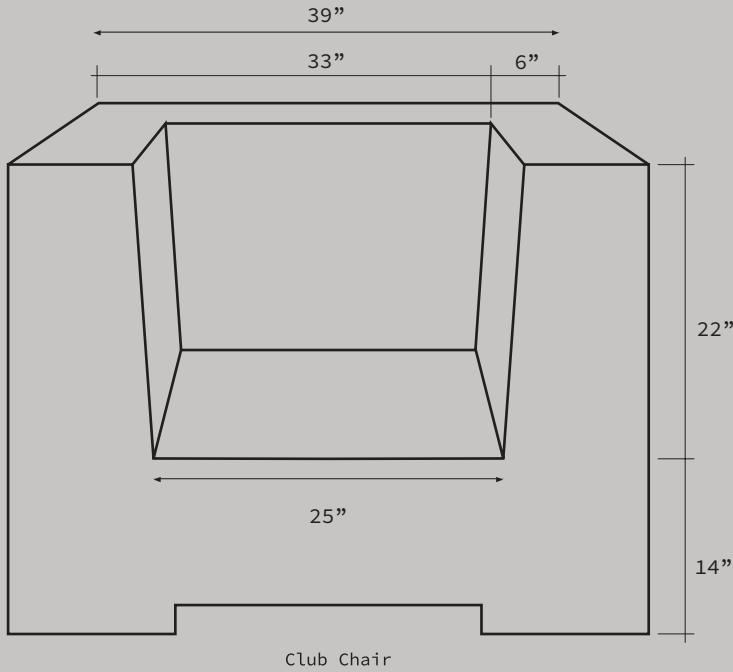


Basis White

Basis Pewter

*Basis Slate
Gray*

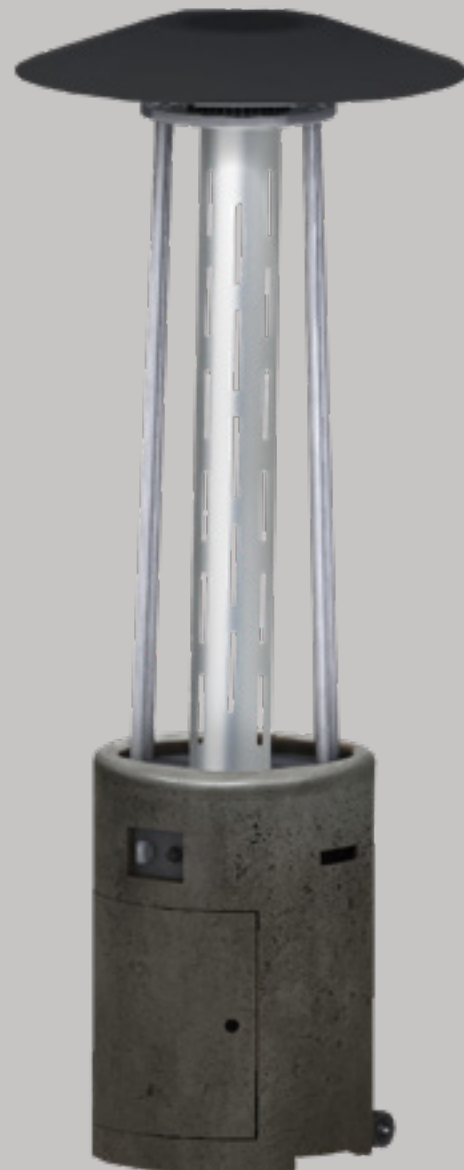
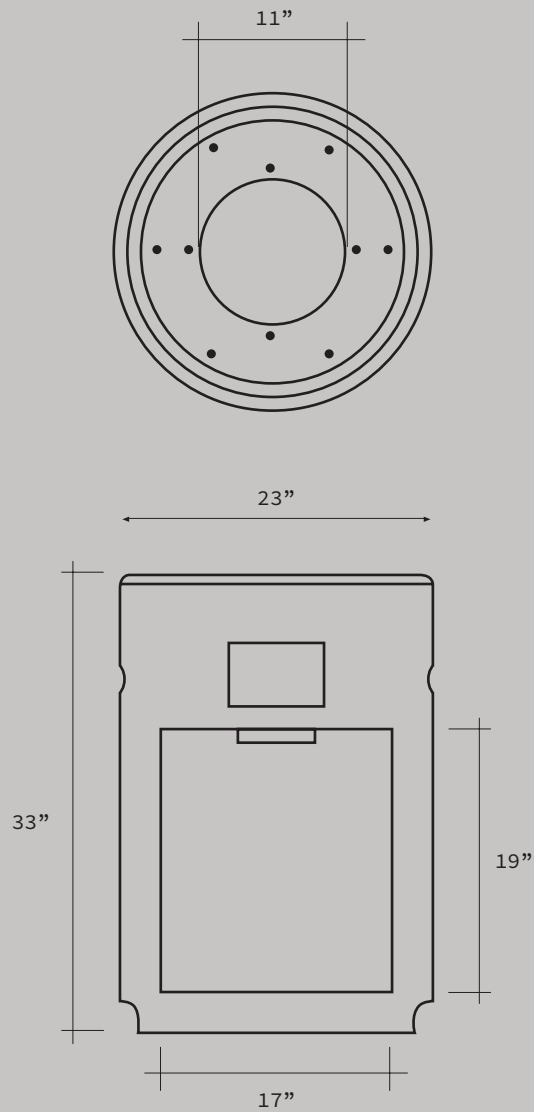
DIVANO



PH FIRE COLUMN

SPECIFICATIONS

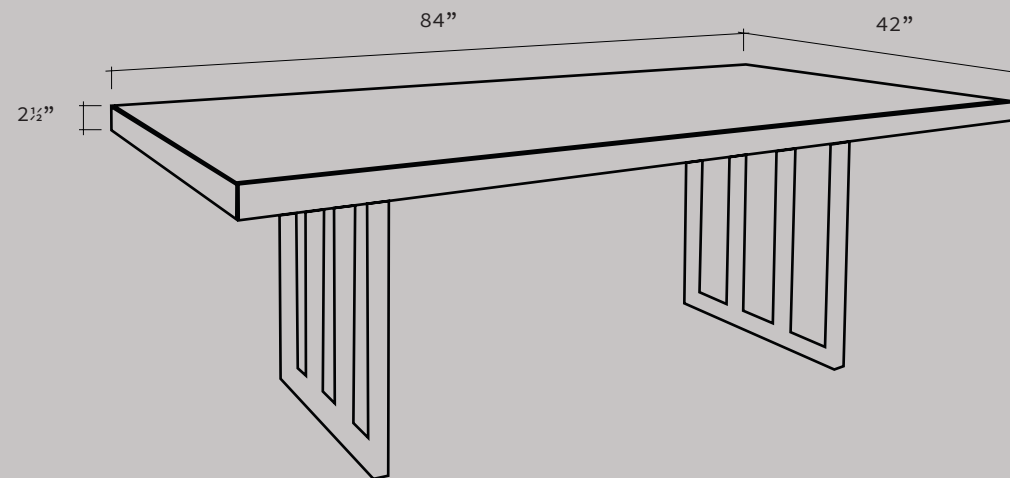
<i>Diameter</i>	23"
<i>Height</i>	33"
<i>Surface</i>	7½"
<i>Burner</i>	65,000 BTUs
<i>Materials</i>	Glass fiber reinforced concrete, Spun Aluminum
<i>Color Options</i>	Pewter, Natural, Cafe, Ebony, Ultra, Coastal



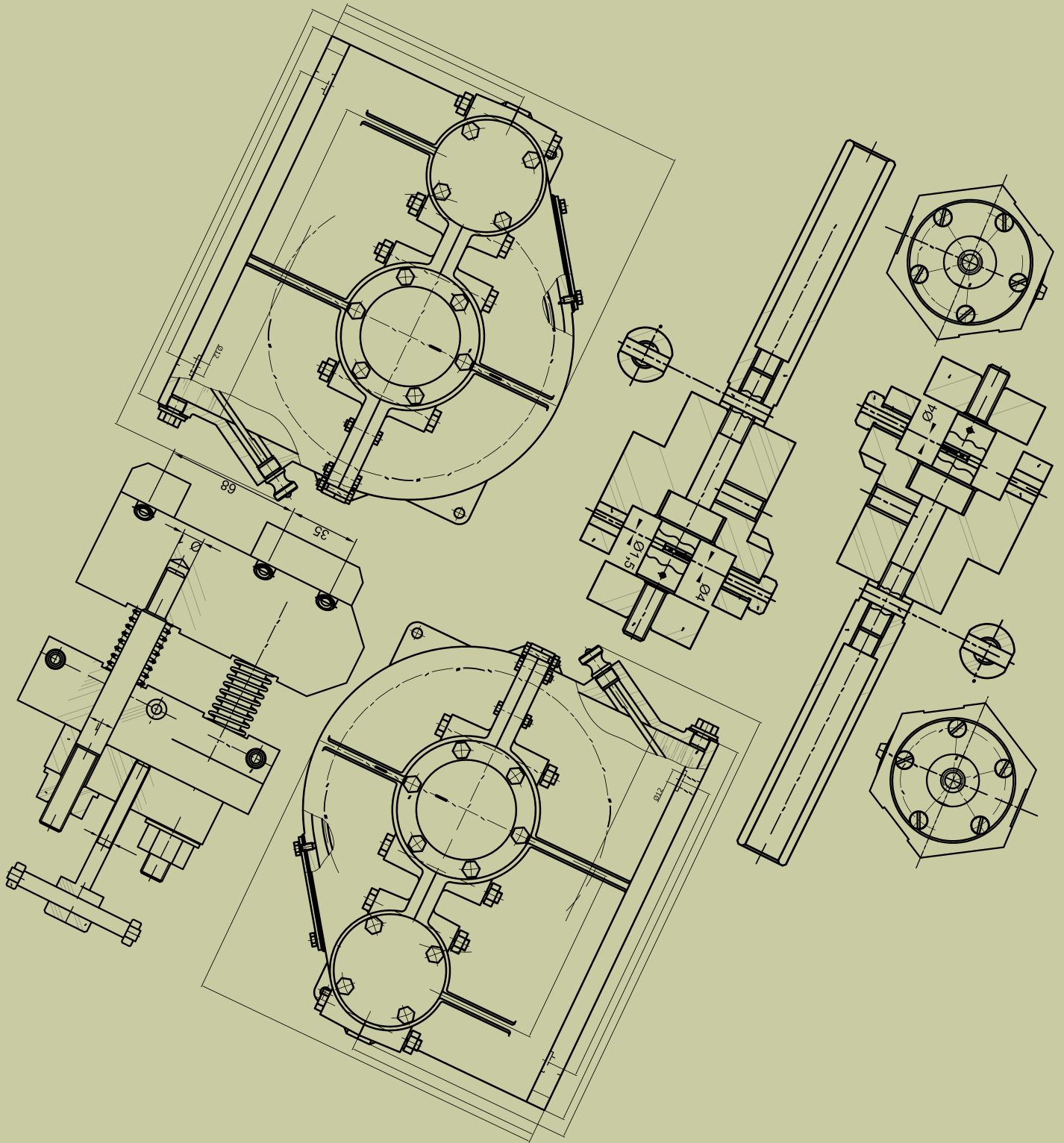
TABLE

SPECIFICATIONS

<i>Width</i>	42"
<i>Length</i>	84" (96" & 108" also available)
<i>Thickness</i>	2½"
<i>Material</i>	Glass fiber reinforced concrete
<i>Table Color</i>	Ebony, Pewter, Ultra White
<i>Leg Colors</i>	Pewter, Brushed Stainless Steel, Chrome, Brushed Brass



CUSTOM SIZES AVAILABLE



ENGINEERING



PRISM HARDSCAPES has teamed with some of the greatest minds to produce the best products out on the market today. From innovative product and safety features to technologies that make our lives easier, the goal is to always improve and move forward.

PH-IGNITE ELECTRONIC IGNITION

SMART, SAFE, CONVENIENT.

HOT SURFACE IGNITION

Robust and reliable ignition.

WATERPROOF PILOT CONNECTOR

Corrosion proof electrical connection.

COMPACT DESIGN

Conveniently fits into your fire feature.

ELECTRONIC IGNITION

Convenient fire feature lighting and instant flame monitoring.

WEATHERPROOF/ANTI-CORROSION ENCLOSURE

Protects internal components from harsh weather and is built to last.

12 VAC INLET POWER

Compliant with National Electrical code 2014, article 68. May be installed within five feet of pool water.

HASSLE-FREE IGNITION, ZERO WORRIES



This product complies with ANSI Z2197 standard.

*Burner not included. System connects to existing fire feature burner.

IGNITION OPTIONS

KEY VALVE

SPECIFICATIONS

<i>Fuel Source</i>	Propane Gas (LP) or Natural Gas (NG)
<i>Ignition</i>	Manual key turn
<i>Ignition Source</i>	Match lit



BATTERY IGNITION

SPECIFICATIONS

<i>Fuel Source</i>	Propane Gas (LP) or Natural Gas (NG)
<i>Ignition</i>	Press button start w/safety auto cut off
<i>Ignition Source</i>	Battery spark



ELECTRONIC

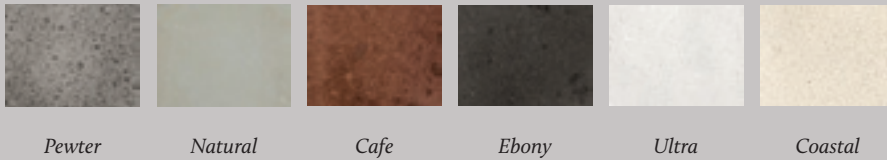
SPECIFICATIONS

<i>Fuel Source</i>	Propane Gas (LP) or Natural Gas (NG)
<i>Ignition</i>	Electric switch
<i>Ignition Source</i>	Electric spark



COLOR OPTIONS

Most fire features are available to be ordered in one of six vibrant color options. Pewter is the most popular choice and PRISM HARDSCAPES introduced a NEW color called “Coastal” that is reminiscent of a quiet, serene, relaxing beachside resort.



FIRE MEDIA

PRISM HARDSCAPES offers several different fire media options to allow anyone to customize their fire feature to their tastes. Beautiful ¾” Lava Rock is included with nearly all models, and offers a stark contrast with any of the fire feature color options.

Tumbled Lava Rock is included with Fuego Series fire features and is an upgrade available for all other models. Many people enjoy the smooth, clean look of the tumbled lava rock and it is a popular choice.



FIRE GLASS

PRISM HARDSCAPES offers Fire Glass as another upgrade option for most fire features. Its colorful dazzling, modern look is offered in 7 different colors.



From concept to finished product, outstanding craftsmanship is present in every aspect of our process. Each of our products has been hand-crafted using our own patina finishing process guaranteeing a one-of-a-kind subtle variation and creation

HAND- CRAFTED PIECES

PRISM HARDSCAPES





CRAFTSMANSHIP

PRISM HARDSCAPES *creates dependable and custom outdoor living products to help bring your ideas and vision to life. Breaking ground on a new project is key, but planning before-hand is crucial.*

This means selecting products in different colors, shapes and sizes that will create the ideal outdoor living space to fit your lifestyle and vision.

Let PRISM HARDSCAPES help get you there.

AQUABLU

Official Distributor

(800) 971 1442

www.aquablumosaics.com