



VN1ANIOODA60



Indoor/Outdoor Amplified Omni Directional HDTV Antenna

Omni Directions – 360 degree reception

Receives local HD and Digital TV broadcast signals for free
Receives 1080p, 1080i or 720p programming when transmitted
Recommended for customers that live within 60 miles of broadcasting towers
Please read instructions fully prior to assembly and installation

ASSEMBLY AND MOUNTING INSTRUCTIONS:

FOR OUTDOOR USE

1. Place the metal pole into the base as shown in illustration so the holes on the bottom of the pole line up with the bottom arch of the base
2. Place the 2 small carriage bolts inside the pole so the thread is coming out from the base. Align the square at the bottom of each bolt with the square cutout in the metal pole to ensure they are placed correctly. (1)
3. Place nuts onto the bolts until they are secure. Do not tighten until you get the antenna in the best receiving position.
4. Move metal pole up until the other set of holes line up with the holes at the top of the base. Put the large carriage bolt through the side with the square shaped hole and push it all the way through until the other side. Place nut onto the bolt and tighten. (2)
5. Take antenna and place onto metal pole. Metal pole should be placed between the 2 screws on the back of the antenna and placed into the rounded groove. Place the metal bracket on the other side of the pole and the screws through the holes. Then place wing nuts onto the screws and tighten the antenna in the desired location on the pole. (3)
6. Find desired location to mount outdoors. 2 anchor plugs and 2 lag bolts are provided to mount the antenna outdoors. (4)

FOR INDOOR USE

1. Mount antenna (without pole and base) to the wall using 2 screws. The head of the screw must be smaller than 7/32" diameter in order to fit for mounting. (5)

INSTALLATION OPTIONS:

1. Directly connected to TV. (6)
2. Connected Through set-top-box. (7)

Note: After the antenna mounting and installation is finished, please adjust the antenna in the best position that can get clear TV picture.

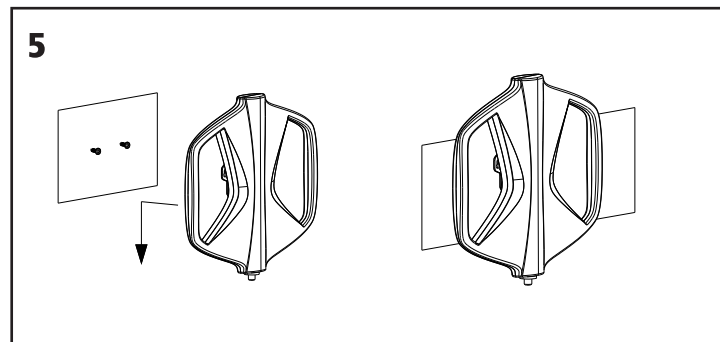
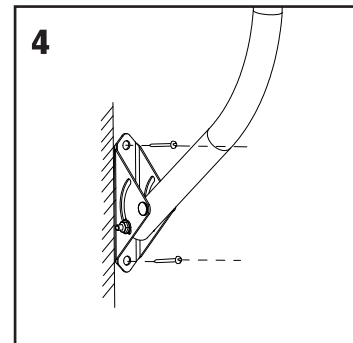
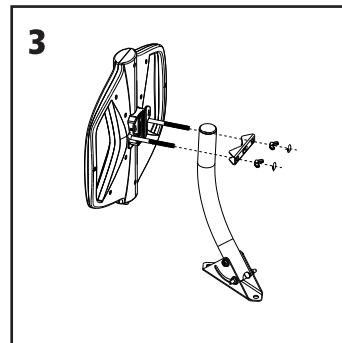
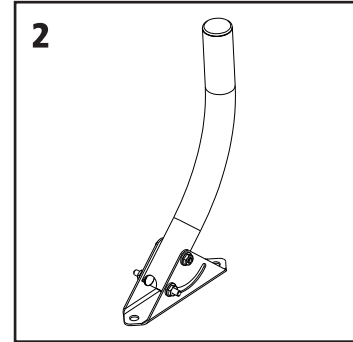
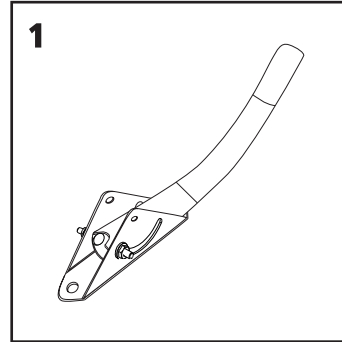
OPERATING INSTRUCTIONS:

Note: For the best reception, please check the following conditions:

1. Keep the antenna away from the sources of interference: keep the antenna away from those big power consumption devices, such as air conditioner, elevator, hair dryer and microwave oven...etc.
2. Place the antenna near windows when using the antenna in indoor environments.
3. Install the antenna as high as possible. In digital terrestrial reception, if there are some objects between antenna and the transmission tower, it can cause signal loss. Try to install away from buildings, trees and towers.

IMPORTANT SAFETY INSTRUCTIONS:

- Stay away from anything or anyone in contact with a power line. You can be electrocuted. Make sure there is no possibility of the antenna or your ladder coming into contact with power lines.
- Do not use a metal ladder
- Keep the distance between power lines and the antenna far enough apart that in the event the antenna falls at any time, there is enough distance that it does not come into contact with the power lines. WE RECOMMEND YOU STAY A MINIMUM OF TWICE THE MAXIMUM LENGTH OF THE ANTENNA AWAY FROM ALL POWER LINES.
- Ground the antenna and the antenna mounting structure in accordance with the NEC electrical code, all state and local electrical code requirements. See Antenna Grounding for help.
- Complete the antenna assembly on the ground prior to mounting.
- Use caution when working on a roof.
- Do not try to install antenna outdoors on a windy day.
- If you start to drop the antenna or it starts to fall, let it fall. Do not attempt to stop it from falling.
- If any part of the antenna comes in contact with a power line, call your local power company. Do not try to remove it yourself.
- Contact a professional installer in your area to do the antenna installation if you are unsure how to safely install and ground this antenna.



Access the FCC DTV reception map online tool to determine what DTV signals are available in your location
<https://www.fcc.gov/media/engineering/dtvmaps>

WARNING: Installation of this product near powerlines is DANGEROUS. For your safety, follow the enclosed instructions.

Note: Range may vary due to terrain, broadcast strength and other factors.

Zenith is a registered trademark of Zenith Electronics LLC and used under license.
Zenith est une marque de commerce déposée de Zenith Electronics LLC et utilisée sous licence.
Zenith es una marca registrada de Zenith Electronics LLC y se utiliza bajo licencia.

WARNING: INSTALLATION OF THIS PRODUCT NEAR POWERLINES IS DANGEROUS. FOR YOUR SAFETY, FOLLOW THE INSTALLATION DIRECTIONS.



WATCH FOR POWERLINES!
You can be KILLED if this antenna comes near electric powerlines.
READ INSTRUCTIONS.

IF AN ACCIDENT SHOULD OCCUR WITH POWERLINES

1. Call for emergency help.
2. Don't touch a person who has come in contact with the antenna and the powerline (you'll be electrocuted, too).

SELECT YOUR INSTALLATION SITE

Consider the following when choosing an outdoor installation site (8):

- Choose a safe location that is far away from power lines. Refer to the Important Safety Instructions.
- Determine the location of the broadcast towers in your area and aim the antenna toward those towers. There are online resources (see QR code or websites listed) that can help you find the location of the closest broadcast towers and the channels you can expect to receive.
- Check your local, city and state building and electrical codes. Make sure your planned installation is safe and in compliance with all applicable codes, rules and regulations.
- If installing antenna indoors, mount antenna as high as possible or near a window for best results

IF YOU ARE UNSURE OR DO NOT FEEL CAPABLE OF INSTALLING THIS ANTENNA, PLEASE CONTACT A PROFESSIONAL INSTALLER IN YOUR AREA.

ANTENNA GROUNDING

To protect your house and your TV installation, your antenna system must be properly grounded.

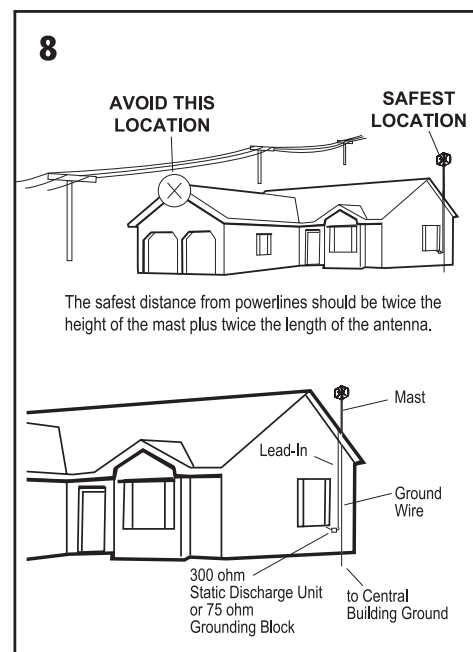
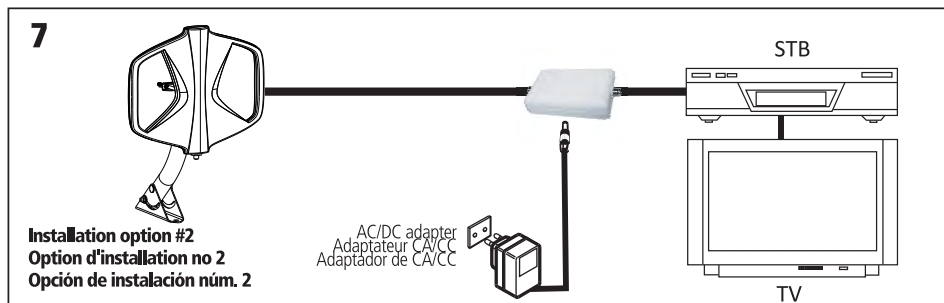
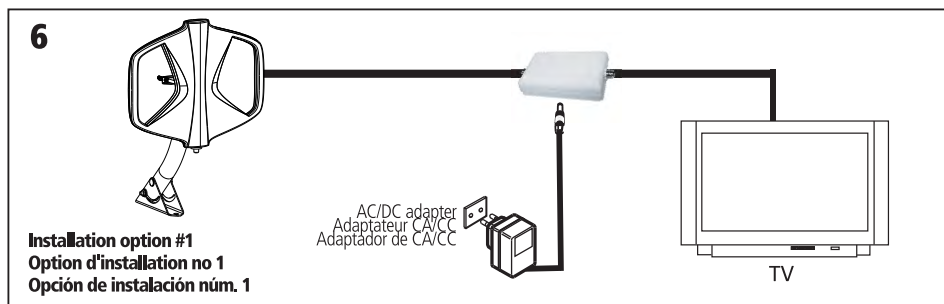
1. Clamp a #10 copper or #8 aluminum grounding wire to the base of the antenna mast. Using stand-offs every 4 to 6 feet, run the wire down the building in as straight a line as possible.
2. Attach a 300 ohm static discharge unit (lightning arrestor) or a 75 ohm grounding block to the antenna's lead-in cable as close as possible to the point where the cable enters the house.
3. Attach the grounding wire to the lead-in cable's grounding unit and run the wire to the central building ground.

Acceptable central building ground points may include:

- Grounded interior metal cold water pipe within five feet of the point where it enters the building.
- Grounded metallic service raceway
- Grounded electrical service equipment enclosure
- 8-foot grounding rod driven into the ground (only if bonded to the central building ground by #6 or heavier bonding wire)
- Other acceptable grounding electrodes that comply with sections 250 and 810 of the National Electrical Code (NEC)

ANTENNA REMOVAL

Inspect the area carefully for power lines. Look for any new power lines that may have been installed. Make sure there is no possibility the antenna, its mounting structure or your ladder can come in contact with power lines. Be sure to consider what can go wrong during the antenna removal. Repeat the steps for antenna installation but in reverse order.



Technical Data	
Screen Resolution:	1080p, 1080i, 720p
Frequency Range:	174-230MHz, 470-862MHz
Receiving Range:	UHF /VHF
Antenna Gain:	2-4dBi
Amplifier Gain:	20-30dBi
Impedance:	75Ω
Antenna Length:	255mm
Reception Distance:	60 Miles
Includes 1 pole mount, 10 meter long cable, and amplifier For indoor/outdoor use	