



Margo Series

Plug-in / Linkable / Dimmable / Aluminum

The Margo's aluminum housing provides an ideal solution for residential and light commercial applications.

FEATURES

- Aluminum housing
- Plug-in 5' cord allows for quick and simple installation
- Dimmable LED - Requires dimmer switch
- Diffused lens
- 12" linking cord directly connects multiple units
- Warm, white 3000K light
- Mounting hardware included
- Available in 12" / 16" / 22"

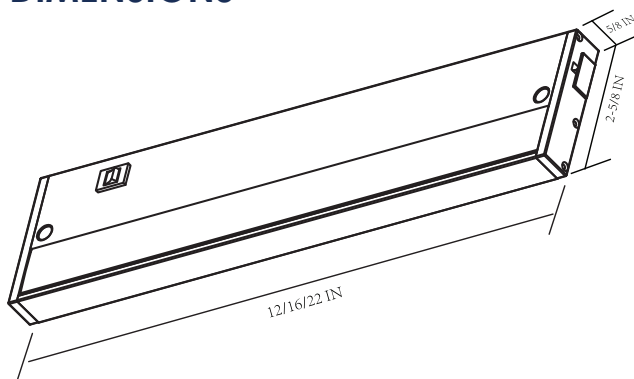




SPECIFICATIONS

Model Number	MRGO-L12W-N1	MRGO-L16W-N1	MRGO-L22W-N1
Description	Margo 12" - White	Margo 16" - White	Margo 22" - White
Lumens	402	612	776
Watts	6W	10W	12W
Lumens/Watts	67	61.2	64.67
Linkable Qty	32	20	16
Weight (lbs.)	0.66	0.79	1.01
Input Voltage	120VAC	120VAC	120VAC
LED Life (Hours)	25,000	25,000	25,000
Color	White	White	White
Color Temp	3000K	3000K	3000K
UPC	070686763704	070686763711	070686763728
Dimensions L x W x H	12.38 x 2.7 x 0.63	16.38 x 2.7 x 0.63	22.38 x 2.7 x 0.63
Box Dimensions L x W x H	20.6 x 3.7 x 1.5	24.7 x 3.7 x 1.5	30.63 x 3.7 x 1.5

DIMENSIONS



ABOUT US

AmerTac offers a full range of distinct decorative home accent products that include stylish Wallplates, money-saving LED Nite Lites™, innovative Under Cabinet Lighting, and convenient LED Battery Operated Lights. Our comprehensive product lines include energy-saving Timers, Dimmers, and Lighting Controls; plus an extensive offering of Consumer Electronics Accessories for the home and office.