

NDC-72-CG

REFRIGERATED CURVED GLASS DISPLAY CASE

Ideal for restaurants, cafés, and bakeries

NEW AIR
REFRIGERATION



FEATURES

LED lighting at the top and under each shelf



Double tempered glass

Air ducts on 3 sides to eliminate condensation around the glass

Rear sliding doors



Black brushed stainless steel

2 adjustable glass shelves

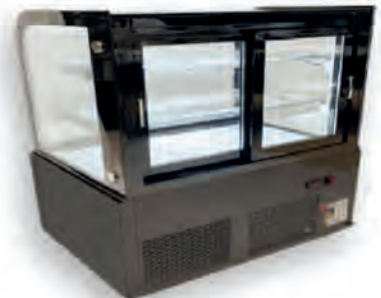


4 wheels (2 with brakes)

✓ Automatic defrost

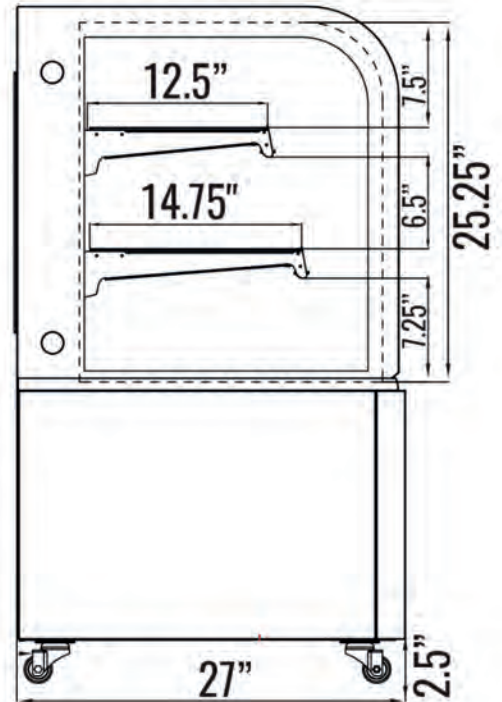
✓ Digital controller and LED screen

✓ On/off switch



SPECIFICATIONS

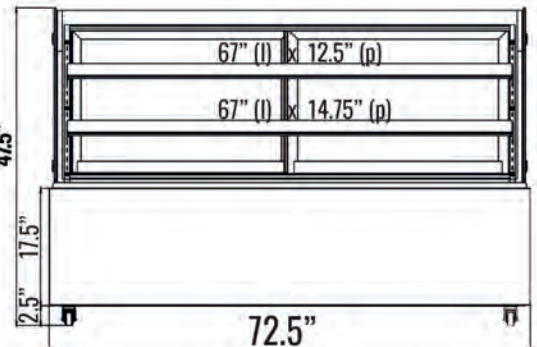
Capacity (Cu. ft)	20.12
Capacity (Liters)	570
Exterior Dimensions (in)	72" (w) x 27" (d) x 47.5" (h)
Interior Dimensions (in)	67" (w) x 23" (d) x 25.5" (h)
Packaging Dimensions (in)	75.25" (w) x 30" (d) x 51.25" (h)
Net/Gross Weight (lbs)	518/565
Doors	2
Adjustable Shelves	2
Shelf Dimensions (in)	67" (w) x 12.5" (d) (top) 67" (w) x 14.75" (d) (middle)
Shelf Capacity (lbs) (lbs)	22
Casters	4 (including 2 with brakes)
Temperature (°C)	(2°C) - (12°C)
Temperature ambiente	≤ 30°C
Ambiant Humidity	≤ 55%
Refrigerant (CFC-free)	R290
Power (W)	440
Voltage (V)	120V/60Hz
Amperage (A)	4.9
Plug Type	NEMA 5-15P



NEMA 5-15P



Intertek



NEW AIR

*Design and specifications can change without prior notice for product improvement

CUSTOMER SUPPORT



1-800-567-3620



NEWAIRREFRIGERATION.CA

