

NDC-36-CG

REFRIGERATED DISPLAY CASES

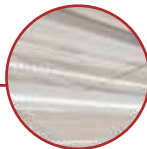
Ideal for restaurants, cafés, and bakeries

NEW AIR
REFRIGERATION



FEATURES

LED Lighting under each shelf for superior product display



Double tempered glass all around

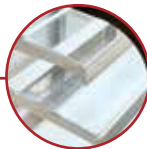
Front curved glass

Sliding doors

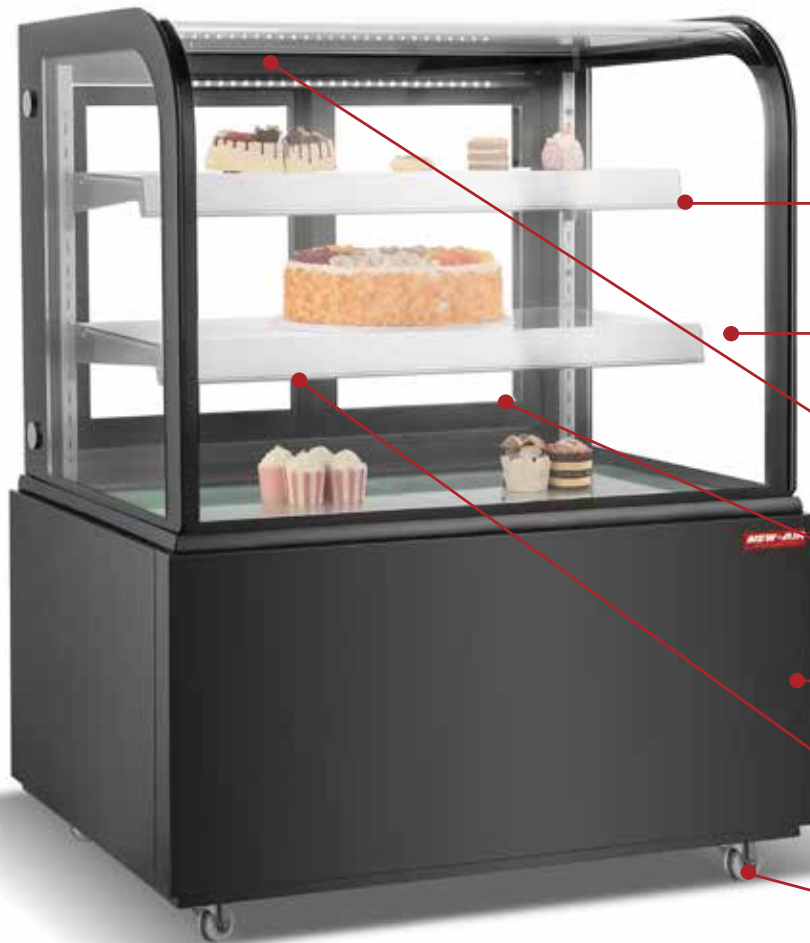


Black-brushed stainless steel

2 adjustable glass shelves



4 heavy duty casters



ADDITIONAL FEATURES

- ✓ Automatic defrost
- ✓ Digital controller and LED display
- ✓ Air ducts on 3 sides to remove condensation around glass
- ✓ LED lighting around the interior of the cabinet
- ✓ On & Off switch

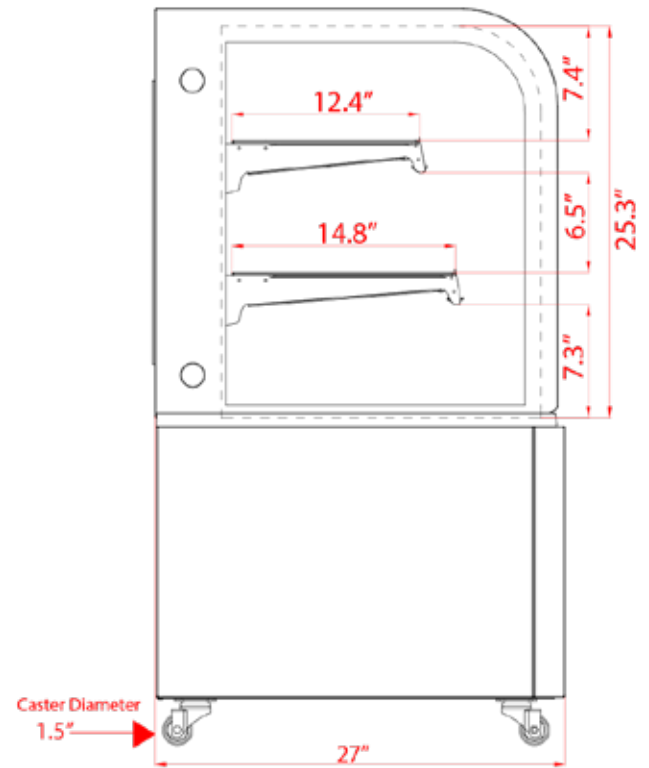
OPTIONAL FEATURES



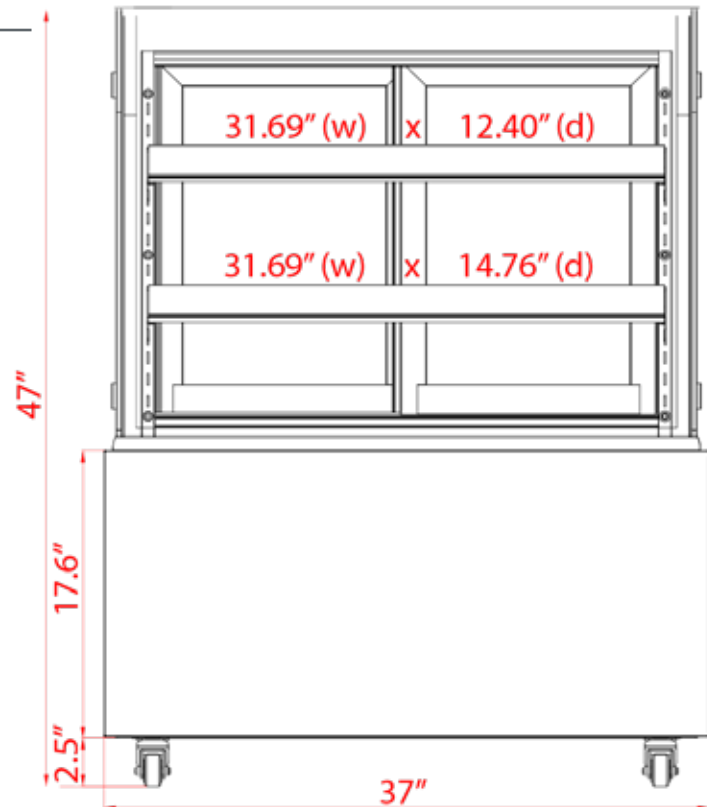
SPECIFICATIONS

Capacity (Cubic Feet)	9.53
Capacity (Litres)	270
Exterior Unit Dimensions (in)	37" (w) x 27.08" (d) x 47.6" (h)
Packing Dimensions (in)	39.76" (w) x 29.92" (d) x 51.18" (h)
Interior Unit Dimensions (in)	34" (w) x 23" (d) x 25.5 (h)
Net/Gross Weight (lb)	297.62 / 339.51
Swivel Casters	4 (including 2 with brakes)
Adjustable Shelves	2
Shelf Dimensions (in)	31.7" (w) x 12.40" (d) (top) 31.7" (w) x 14.76" (d) (middle)
Shelving Capacity (lb)	22
Temperature	2-12°C
Ambient Temperature	≤30°C
Ambient Humidity	≤55%
Refrigerant (CFC-Free)	R290
Input Power (W)	380
Voltage	120V /60Hz
Amperage	4.5
Plug Type	Nema 5-15P

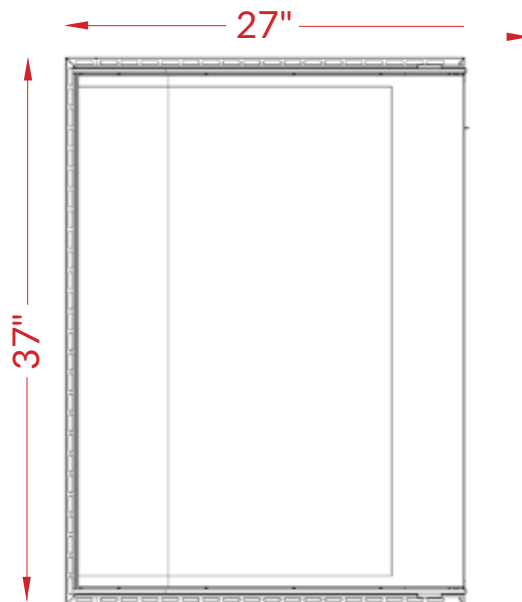
SIDE & INTERIOR VIEW



FRONT VIEW



TOP VIEW



CUSTOMER SUPPORT



We're on social media!
1.800.567.3620



www.newairrefrigeration.ca

MORE PRODUCTS!



Design and specifications can change without prior notice for product improvement