



PROJECT NAME: _____

LOCATION: _____

ITEM: _____ QTY: _____

MODEL: _____

SR-10-60

10-BURNER RANGE WITH 2 OVEN

The Sierra Ranges feature an all-stainless steel interior and exterior construction, except for the porcelain oven decks and oven door liners which allow for the easiest clean-ups.

The SR-10-60 has the flexibility to suit every operation. This range has 10-30,000 BTU heavy duty cast iron top burners and 2-32,000 BTU ovens, each accepting 18" x 26" sheet pans. The two independent ovens feature "U" type burners and temperatures are adjustable from 250°F (121°C) to 550°F (288°C)

6" swivel casters are optional.



STANDARD FEATURES

- ☐ All non-ferrous stainless steel construction including front, sides, landing edge, valve control panel, kick plate, backsplash and over-shelf
- ☐ Heavy gauge welded front frame
- ☐ The two ovens feature porcelainized door linings and inner bottom decks for ease of cleaning and maintenance
- ☐ Each oven comes with a nickel chrome plated rack, adjustable to 3 positions
- ☐ 6" adjustable stainless steel legs
- ☐ The SR-10-60 is shipped, ready for natural gas installation. An LP conversion kit is included with each unit
- ☐ Heavy duty 12" x 12" cast iron top grates, removable for easy cleaning, industry standard size
- ☐ Stainless steel non-clog standing pilot for each burner with instant ignition
- ☐ Removable drip/crumb trays under burners
- ☐ Features a full 6" landing edge for increased plate stability
- ☐ Stainless steel high shelf



Tel.: 786.600.4687 / Toll Free: 844.218.8477
Fax: 786.661.4100

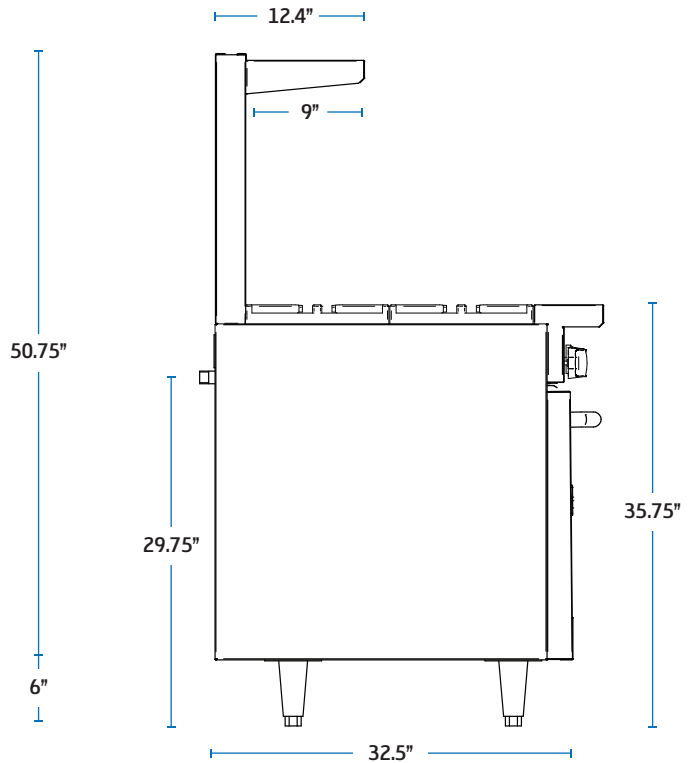
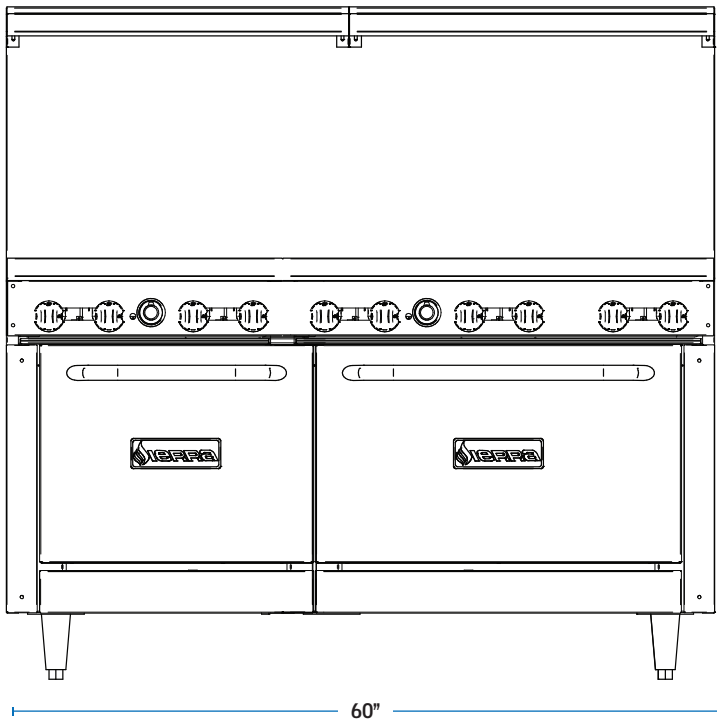
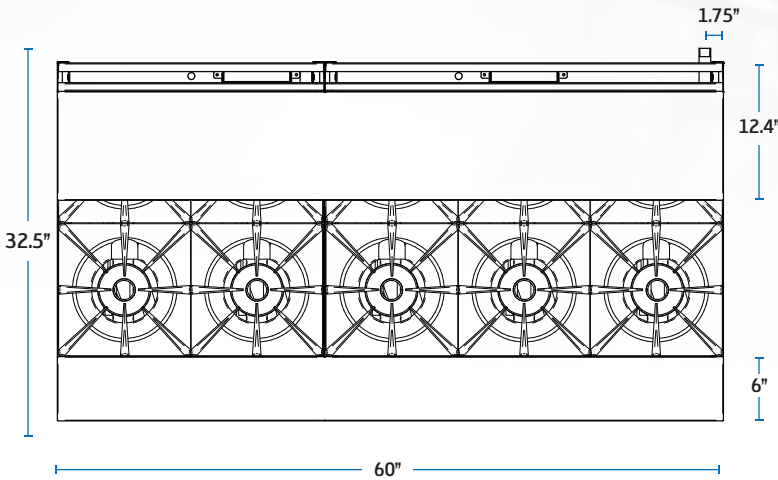


Tel.: 514.737.9701 / Toll Free: 888.275.4538
Fax: 514.342.3854 / Toll Free: 877.453.8832
sales@mvpgroupcorp.com



SPECIFICATIONS

MODEL NUMBER	SR-10-60
(WITH HANDLE) EXTERNAL DIMENSIONS (WxDxH)	60" X 32.5" X 50.75"
OVEN DIMENSIONS - LEFT (WxDxH)	19.2" X 26.4" X 14.2"
OVEN DIMENSIONS - RIGHT (WxDxH)	26.6" X 22.8" X 14.2"
NUMBER OF BURNERS	10 TOP & 2 "U" OVEN BURNERS
BTU (EACH TOP BURNERS)	30,000
BTU (OVEN)	32,000
TOTAL BTU	364,000
NET WEIGHT	650 LBS
SHIPPING WEIGHT	725 LBS



Warranty: 12 months parts & labor.

Gas Connection: 3/4" NPT on the right hand rear of the appliance. The pressure regulator (supplied) is to be connected here by the installer.

Gas pressure: 5" W.C. - Natural Gas | 10" W.C. - Propane

Combustible Clearances: For use in non-combustible locations | Non-combustible Clearances: 0 inches sides, 0 inches rear
Specify type of gas and altitude, if over 2,000 feet, when ordering.

SIERRA RANGE is a registered trademark of **MVP Group**.

Due to continuing product development, to ensure best possible performance, the specifications are subject to change without prior notice.



Tel.: 786.600.4687 / Toll Free: 844.218.8477
Fax: 786.661.4100



Tel.: 514.737.9701 / Toll Free: 888.275.4538
Fax: 514.342.3854 / Toll Free: 877.453.8832
sales@mvpgroupcorp.com