

**HOBART**701 S Ridge Avenue, Troy, OH 45374  
1-888-4HOBART • www.hobartcorp.com**PW20/PW20eR  
POT & PAN WASHER****HOBART****STANDARD FEATURES**

- |                    |               |               |               |
|--------------------|---------------|---------------|---------------|
| ■ Racks per hour – | 2 Minute Wash | 4 Minute Wash | 6 Minute Wash |
|                    | PW20          | PW20eR        |               |
|                    | 20            | 13            | 12            |
|                    |               |               | 9             |
|                    |               |               | 8             |
|                    |               |               | 7             |
- 2.35 gallons of water per cycle (PW20)
  - 2.8 gallons of water per cycle (PW20eR)
  - Timed wash cycles for 2-4-6 minutes
  - Hot water sanitation machines
  - Steam Elimination and Energy Recovery (Advansys only)
  - Sense-A-Temp™ booster heater capable of 70° rise
  - Front loading, split-door configuration
  - Chamber accepts 20 full-sized sheet pans, or 140 quart mixing bowl
  - Advanced Service diagnostics
  - Advanced Delime notification and cycle (includes booster) (Advansys only)
  - 16 gauge stainless steel deep drawn tank
  - Microcomputer controls with advanced digital cycle/temperature display
  - Two revolving upper and lower anti-clogging wash arms and rinse arms
  - Removable stainless steel scrap screens and scrap basket
  - Corrosion resistant pump
  - Automatic pumped drain
  - Pumped rinse
  - 33.79" door opening
  - Automatic fill
  - Delime pump standard (Advansys)
  - Electric tank heat
  - Spray hose

**MODELS**

- PW20
- PW20eR

**ACCESSORIES**

- Pressure regulator valve
- DWT-PW drain water tempering kit
- Steam pan rack (capacity for two racks)

Specifications, Details and Dimensions on Inside and Back.

**PW20****PW20eR****STANDARD VOLTAGES**

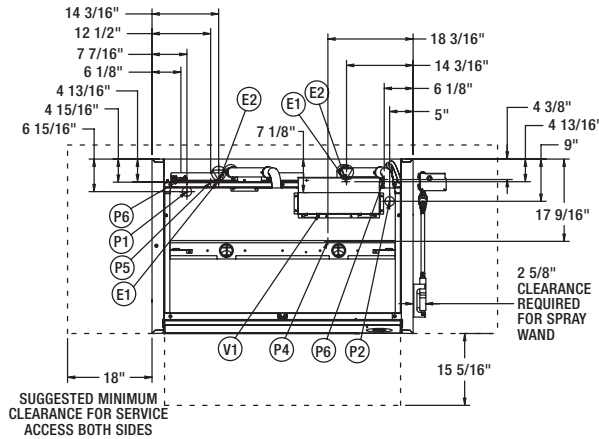
- 208-240/60/3
- 480/60/3

**PW20/PW20eR POT & PAN WASHER**

# PW20 POT & PAN WASHER



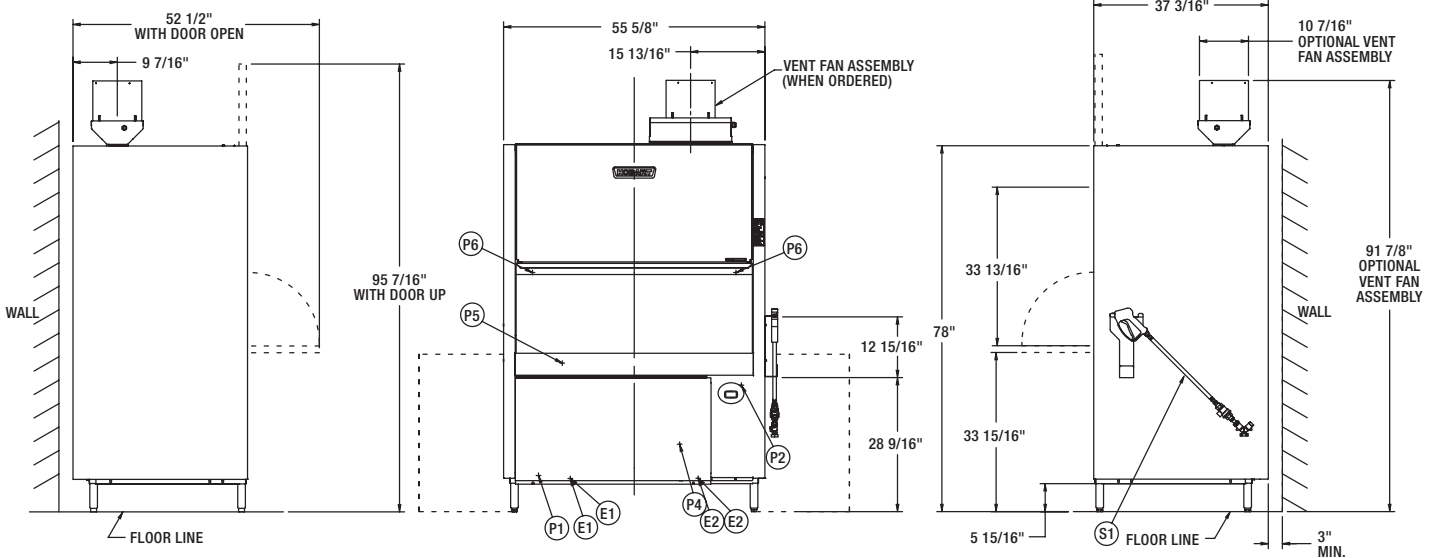
701 S Ridge Avenue, Troy, OH 45374  
1-888-4HOBART • www.hobartcorp.com



### WARNING

Electrical and grounding connections must comply with the applicable portions of the National Electrical Code and/or other local electrical codes.

Plumbing connections must comply with applicable sanitary, safety and plumbing codes. Drain and fill line configurations vary, some methods are shown on this drawing.



### PLUMBING NOTES:

Required flowing water pressure to the dishwasher is 15-65 PSIG. If pressures higher than 65 PSIG are present, a pressure regulating valve must be installed in the water line to the dishwasher (by others).  
Recommended water hardness to be 3 grains or less for best results.  
Pressure gauge not required on pumped rinse machines.

### MISCELLANEOUS NOTES:

Backflow prevention provided by NSF-approved air gap device  
Single point electrical connection machines.  
All dimensions taken from floor line may increase 1-1/2" depending on leg adjustment.  
Net weight of machine: 615 LBS.  
Domestic shipping weight: 705 LBS.  
Shipping dimensions:  
79-7/8" H X 63-3/4" W X 40" D.  
Size of racks:  
48-13/16" X 27-5/8" X 4-13/16"

### CONNECTION INFORMATION (\*AFF - ABOVE FINISHED FLOOR)

#### LEGEND

- E1 ELECTRICAL CONNECTION (INCLUDING ELECTRIC HEAT)  
1-1/4" CONDUIT HOLE, 7-1/16" AFF.
- E2 ELECTRICAL CONNECTION: DETERGENT/RINSE AGENT FEEDERS;  
7-1/8" AFF.
- P1 HOT WATER CONNECTION INCOMING: 110°F WATER MIN.  
3/4" FEMALE GARDEN HOSE FITTING ON 6' LONG HOSE  
SUPPLIED WITH MACHINE. 7-11/16" AFF.
- P2 DRAIN CONNECTION: 7/8" BARB FITTING, 26-15/16" AFF.  
6' LONG 7/8" HOSE SUPPLIED WITH MACHINE.
- P4 DETERGENT PROBE SENSOR; 14-3/8" AFF.
- P5 DETERGENT FEEDER; 31-5/8" AFF.
- P6 RINSE AGENT FEEDER: 50-15/16" AFF.
- V1 VENT EXIT: 4-9/16" X 17-3/8" EXHAUST (STANDARD)  
TO ALLOW FOR EXPANSION OF AIR. (NEED NOT BE  
CONNECTED TO EXTERNAL VENT); IF REQUIRED, VENT FAN  
ASSEMBLY TO PROVIDE 400 CFM EXHAUST.
- S1 110°F MIN., 3/4" FEMALE GARDEN HOSE TEE FITTING ON  
12' LONG HOSE SUPPLIED WITH MACHINE. MOUNTABLE  
ON EITHER SIDE.

ELEC. SPECS.	RATED AMPS	MINIMUM SUPPLY CIRCUIT CONDUCTOR AMPACITY	MAXIMUM OVERCURRENT PROTECTIVE DEVICE
208/240/60/3	58.6/64.0	70/80	70/80
480/60/3	35	45	45

MODEL: PW20  
ELECTRIC  
00-950648  
REV B

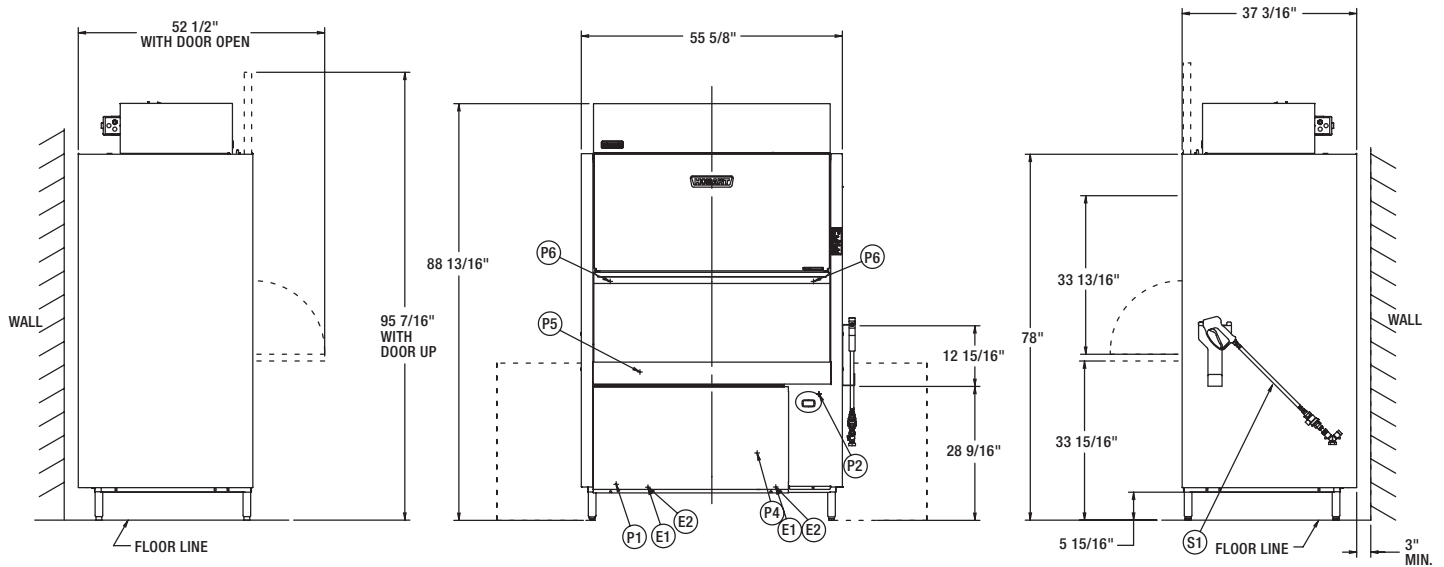
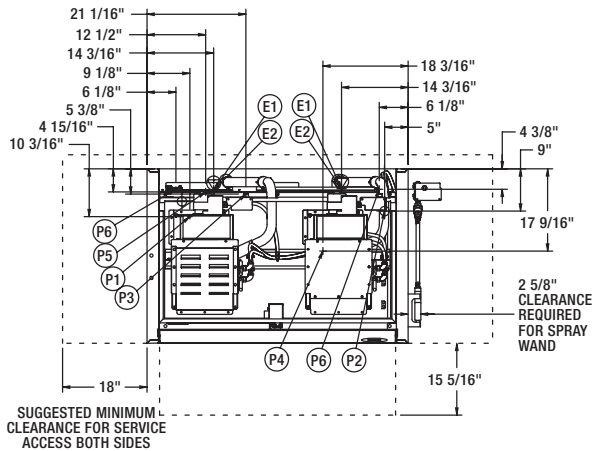


701 S Ridge Avenue, Troy, OH 45374  
1-888-4HOBART • www.hobartcorp.com

# PW20eR POT & PAN WASHER

### WARNING

Electrical and grounding connections must comply with the applicable portions of the National Electrical Code and/or other local electrical codes. Plumbing connections must comply with applicable sanitary, safety and plumbing codes. Drain and fill line configurations vary, some methods are shown on this drawing.



### PLUMBING NOTES:

Required flowing water pressure to the dishmachine is 15-65 PSIG. If pressures higher than 65 PSIG are present, a pressure regulating valve must be installed in the water line to the dishmachine (by others). Recommended water hardness to be 3 grains or less for best results. Pressure gauge not required on pumped rinse machines.

### MISCELLANEOUS NOTES:

Backflow prevention provided by NSF-approved air gap device  
Single point electrical connection machines.

APPROXIMATE HEAT GAIN TO SPACE WITHOUT VENT HOOD			
MODEL	VOLTAGE	TYPE	BTU/HR
PW20eR	208	LATENT	20,400
		SENSIBLE	12,500
	240/480	LATENT	24,300
		SENSIBLE	14,800

Vent hood is not required due to internal condensing system.  
All dimensions taken from floor line may increase 1-1/2" depending on leg adjustment.  
Net weight of machine (est): 725 LBS.  
Domestic shipping weight: 815 LBS.  
Shipping dimensions:  
89-7/8" H X 63-11/16" W X 40" D.  
Size of racks:  
40-13/16" X 27-5/8" X 4-13/16"

### CONNECTION INFORMATION (\*AFF - ABOVE FINISHED FLOOR)

#### LEGEND

- E1 ELECTRICAL CONNECTION (INCLUDING ELECTRIC HEAT)  
1-1/4" CONDUIT HOLE, 7-1/16" AFF.
- E2 ELECTRICAL CONNECTION: DETERGENT/RINSE AGENT FEEDERS;  
7-1/8" AFF.
- P1 HOT WATER CONNECTION INCOMING: 110°F WATER MIN.  
3/4" FEMALE GARDEN HOSE FITTING ON 6' LONG HOSE  
SUPPLIED WITH MACHINE. 7-3/4" AFF.
- P2 DRAIN CONNECTION: 7/8" BARB FITTING, 27-1/2" AFF.  
6' LONG 7/8" HOSE SUPPLIED WITH MACHINE.
- P3 COLD WATER CONNECTION INCOMING: 90°F WATER MAX.  
(65°F OPTIMAL), 3/4" FEMALE GARDEN HOSE FITTING ON  
6' LONG HOSE SUPPLIED WITH MACHINE. 7-3/4" AFF.
- P4 DETERGENT PROBE SENSOR; 14-3/8" AFF.
- P5 DETERGENT FEEDER; 31-5/8" AFF.
- P6 RINSE AGENT FEEDER: 50-15/16" AFF.
- S1 110°F MIN., 3/4" FEMALE GARDEN HOSE TEE FITTING ON  
12' LONG HOSE SUPPLIED WITH MACHINE. MOUNTABLE  
ON EITHER SIDE.

ELEC. SPECS.	RATED AMPS	MINIMUM SUPPLY CIRCUIT CONDUCTOR AMPACITY	MAXIMUM OVERCURRENT PROTECTIVE DEVICE
208/240/60/3	58.6/64.0	70/80	70/80
480/60/3	35	45	45

MODEL: PW20eR  
ELECTRIC  
00-950648  
REV B

# PW20/PW20eR POT & PAN WASHER



701 S Ridge Avenue, Troy, OH 45374  
1-888-4HOBART • www.hobartcorp.com

## SPECIFICATIONS

**DESIGN:** Heavy duty, fully automatic, front opening Prep Washer with split-door system. Upper door section slides upward as the lower door section is pulled down. Stainless steel pull-out rack allows easy loading for large utensils and pans. Three variable wash cycles ensure thorough cleaning and sanitizing

**CONSTRUCTION:** Stainless steel tank and chamber, door, frame, legs and adjustable feet.

**PUMP:** Pump capacity 2 x 211 gpm.

**MOTOR:** 208-240/60/3 or 480/60/3 configurations. Factory sealed lubrication, TEFC with sealed ball bearings. Thermal overload protection.

**WASH AND RINSE CYCLE:** Complete automatic type, controlled by microprocessor electronics. Cycle may be interrupted any time by opening door. Cycle continues when door is closed.

- Initial cycle fills wash tank, to be recirculated each wash cycle. Some wash water is drained off before rinse cycle. Rinse cycle refreshes wash water and tank heat.

**RINSE PUMP:** Powered by a 1/2 H.P. 3Ø TEFC motor, the rinse pump is made of high strength engineered composite material.

**BLOWER:** The condenser blower is an all stainless steel forward curved centrifugal wheel powered by a 1/6 H.P. TEFC single phase motor for nearly silent operation.

**CONDENSER COIL:** The condensing system using a tube and fin coil constructed of copper and corrosion resistant aluminum.

**ELECTRIC BOOSTER HEATER:** Electric booster with Sense-A-Temp™ technology adequately sized to raise 55° inlet water to 180°.

## CYCLE OPERATION:

**PW20eR:** The microcomputer-timing program is started by closing the doors and actuating the wash cycle button. The microcomputer energizes the wash pump motor contactor during the wash portion of the program. After the wash, a dwell permits the upper wash manifold to drain. At the end of the dwell, the final rinse pump is energized. After the final rinse pump turns off, the Blower and Cold Water Valve turn on for 190 seconds to condense the vapor laden air inside the chamber. After 190 seconds is complete the Cycle Light turns OFF, completing the program.

**PW20:** The microcomputer-timing program is started by closing the doors and actuating the wash cycle button. The microcomputer energizes the wash pump motor contactor during the wash portion of the program. After the wash, a dwell permits the upper wash manifold to drain. At the end of the dwell, the final rinse pump is energized. After the final rinse pump turns off, Sani-Dwell permits sanitization to continue, completing the cycle.

## RINSE AND SANITATION:

- PW20/20eR:** Sanitation is accomplished by means of a built-in booster heater designed to raise temperature of water to a minimum of 180°F from an incoming water temperature of 110°F for PW20 and 55°F for PW20eR.

**ENERGY RECOVERY:** Heat energy is recovered from the condensation of vapors in the chamber at the end of each cycle. This pre-heats the water for the next rinse cycle from 55°F up to 140°F.

**PUMPED DRAIN:** Machine automatically drains water through a built-in pump. Maximum 38" drain height permitted.

**RACKING:** Standard rack assortment consists of one flat-bottomed frame rack, one flat grid insert rack and two tray support insert rack.

**SPECIFICATIONS:** Listed by Underwriters Laboratories Inc. and NSF International.

MACHINE RATINGS	PW20			PW20eR		
	2 Minute Wash	4 Minute Wash	6 Minute Wash	2 Minute Wash	4 Minute Wash	6 Minute Wash
Racks per Hour Rate	20	12	8	13	9	7
Tank Capacity - Gallons	34 gallons					
Overall Dimensions - H x W x D	78.60" H x 58.26" W x 37.20" D			89.11" H x 58.26" W x 37.20" D		
Wash Cycle Time - Minutes	2, 4, 6 minutes					
Water Usage Per Cycle - Gallons	2.35 gallons			2.8 gallons		
Drain Design	Pumped					
Door Opening Height x Width	33.79" H x 49.60" W					
Chemical Connection Capability	Standard					
Delime Pump	N/A			Standard		
Peak Drain Flow - GPM	26					
Advanced Service Diagnostics	Standard			Standard		
Advanced Cleaning Cycle	N/A			Standard		
70° Rise Sense-A-Temp™ Booster Heater	Standard					
Incoming Water Temperature Required (minimum)	110°			55°		

As continued product improvement is a policy of Hobart, specifications are subject to change without notice.