

SERVING THE FOOD INDUSTRY SINCE 1951

BAKING MIXER 7 QT. CAPACITY

Item: 44475

Model: MX-CN-0007-HG

Tackle your tough mixing jobs
with efficient speed!



The Nella baking mixer provides the perfect blend of reliability and efficiency. These units are excellent for baking and an essential staple in your commercial kitchen. This 7 - quart mixer is a perfect addition for your bakery or shop.

1 YEAR WARRANTY
PARTS AND LABOR



NEMA
5 - 15
125 VAC / 15 AMP



Authorized Dealer

KITCHEN EQUIPMENT

BAKING MIXER

7 QT. Capacity

NELLA

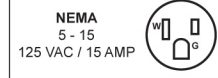
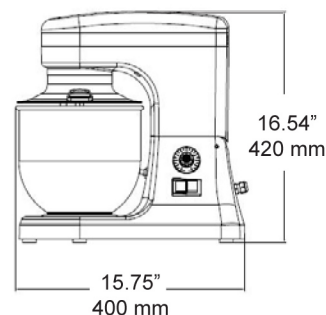


Features:

- Aluminum body in 44475 grey includes a 304 stainless steel whisk with aluminum hook and beater
- The 0.36 HP motor delivers plenty of power, making it perfect for your kitchen
- Dishwasher safe for tough stains and residue
- This mixer requires a 110 V electrical connection and comes ready to use with a durable power chord
- Mixer comes with a non-skid rubber base for product stability

TECHNICAL SPECIFICATION

| | |
|------------------|--|
| ITEM NUMBER | 44475 |
| MODEL | MX-CN-0007-HG |
| COLOR | Gray |
| POWER | 0.36 HP / 270 W |
| VARIABLE SPEED | Comes with a variable speed control |
| SHAFT RPM | 145 -920 RPM |
| CAPACITY | 7QT |
| TIMER | No Timer |
| GUARD | Polycarbonate |
| ELECTRICAL | 110 V / 60Hz / 1Ph |
| DIMENSIONS (DWH) | 15.75" x 9.06" x 16.54" / 400 x 230 x 420 mm |
| NET WEIGHT | 33.08 lbs / 15 kg |
| GROSS WEIGHT | 37.49 lbs / 17 kg |



NELLA

Telephone: 416-740-2424
Email: help@nellaonline.com
Website: www.nellaonline.com