

SERVING THE FOOD INDUSTRY SINCE 1951

BAKING MIXER 7 QT. CAPACITY

Item: 44306

Model: MX-CN-0007-HW

Tackle your tough mixing jobs
with efficient speed!



The Nella baking mixer provides a perfect blend of reliability and efficiency. These units are excellent for baking and an essential staple in your commercial kitchen. This 7-quart mixer is a perfect addition for your bakery or shop.



NEMA
5 - 15
125 VAC / 15 AMP



Authorized Dealer

KITCHEN EQUIPMENT

BAKING MIXER

7 QT. Capacity

NELLA



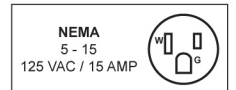
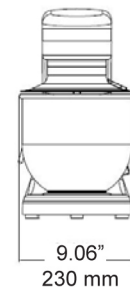
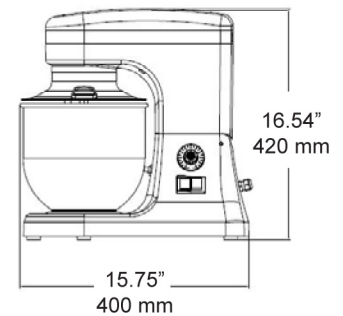
Features:

- Aluminum body in 44306 white includes a 304 stainless steel whisk with aluminum hook and beater
- The 0.36 HP motor delivers plenty of power, making it perfect for your kitchen

- Dishwasher safe for tough stains and residue
- This mixer requires a 110 V electrical connection and comes ready to use with a durable power chord
- Mixer comes with a non-skid rubber base for product stability

TECHNICAL SPECIFICATION

ITEM NUMBER	44306
MODEL	MX-CN-0007-HW
COLOR	White
POWER	0.36 HP / 270 W
VARIABLE SPEED	Comes with a variable speed control
SHAFT RPM	145 -920 RPM
CAPACITY	7QT
TIMER	No Timer
GUARD	Polycarbonate
ELECTRICAL	110 V / 60Hz / 1Ph
DIMENSIONS (DWH)	15.75" x 9.06" x 16.54" / 400 x 230 x 420 mm
NET WEIGHT	33.08 lbs / 15 kg
GROSS WEIGHT	37.49 lbs / 17 kg



NELLA

Telephone: 416-740-2424
 Email: help@nellaonline.com
 Website: www.nellaonline.com