

NELLA

ICE SHAVERS

SERVING THE FOOD INDUSTRY SINCE 1951



SANTOS ICE CRUSHER

Item: 44023 / Model: Santos 09



Available only in Canada



LIMITED WARRANTY
PARTS AND LABOR



Authorized Dealer

ICE SHAVERS

SANTOS ICE CRUSHER



TECHNICAL SPECIFICATIONS

| | |
|-----------------------|---|
| ITEM | 44023 |
| MODEL | Santos 09 |
| DESCRIPTION | Stainless steel and sanitary cast aluminium Antimicrobial painted body |
| ELECTRICAL | 100-120V/60Hz/1Ph |
| POWER | 650w/ 0.87Hp |
| AMP | 5.4 |
| RPM | 1800 |
| PRODUCTION (PER HOUR) | 100 kg/ 220 lbs. per hour |
| NET DIMENSIONS | 16.5" x 10" x 14" / 420 x 250 x 360 mm |
| GROSS DIMENSIONS | 12" x 18" x 16" / 295 x 455 x 410 mm |
| NET WEIGHT | 32 lbs./ 14.5 kg |
| GROSS WEIGHT | 34 lbs./ 15.5 kg |

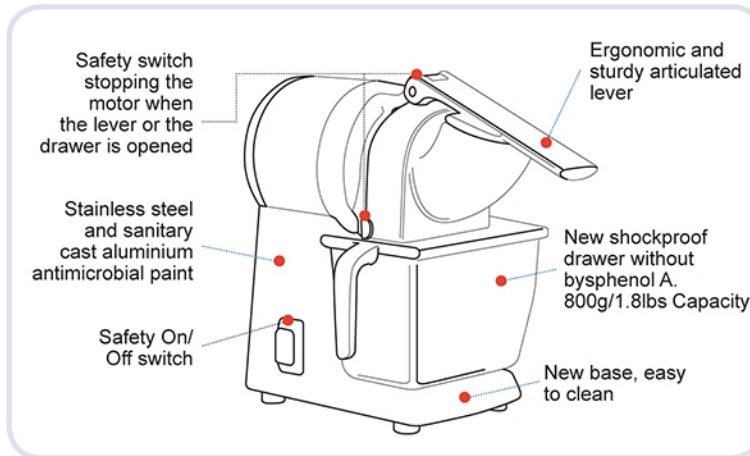
ONE Disc TWO Possibilities



Disc adjusted in "snow ice" position



Disc adjusted in "crushed ice" position



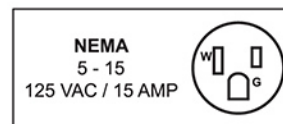
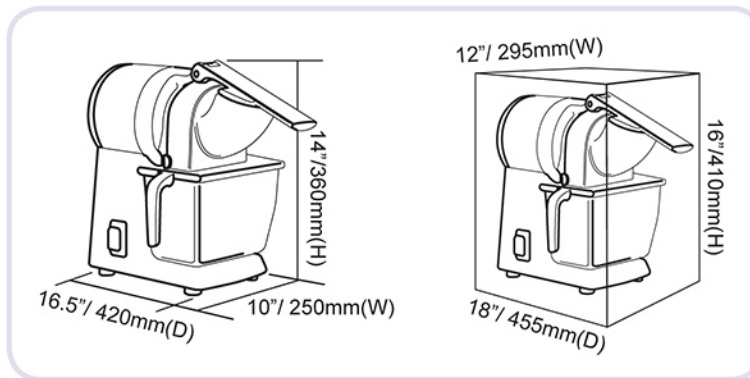
PARTS And SPECIFICATIONS



EASY To Clean

1. Removable housing for easy cleaning
2. Discs can be adapted to both new and old ice crusher
3. Stainless steel plate for easy cleaning
4. Integrated tool to screw and unscrew the disc and lock the ice crusher housing

DIMENSIONS



Available only in Canada

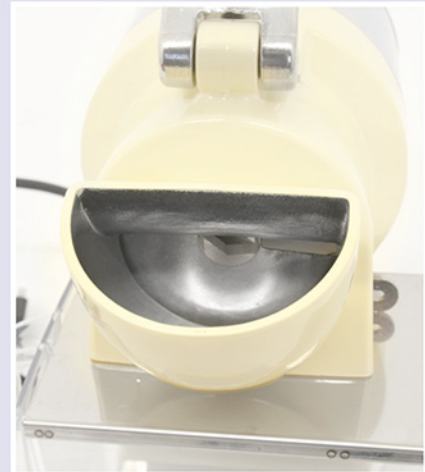


Telephone: 416-740-2424
 Email: help@nellaonline.com
 Website: www.nellaonline.com

SANTOS ICE CRUSHER 09

It is powerful and sturdy, delivered with an adjustable disc to make snow ice and crushed ice. Ideal for bars, restaurants, fish shops, caterers... This model facilitates cleaning and maintenance.

DETAIL images



Available only in Canada