

SERVING THE FOOD INDUSTRY SINCE 1951

CHIP DUMP STATION WITH HEATING LAMP

Item: 43260

Model: FW-CN-0032-F



Excellent for fast food operations. This stainless steel made chip dump station provides outstanding durability. Comes with a removable perforated drain board and a drip pan for draining excessive oil from fried food. Equipped with 2 overhead heating lamps. Ensuring your perfectly cooked French fries, chicken wings, and onion rings are warm and ready to serve at anytime.



WARRANTY
PARTS AND LABOR



Authorized Dealer

FOOD EQUIPMENT

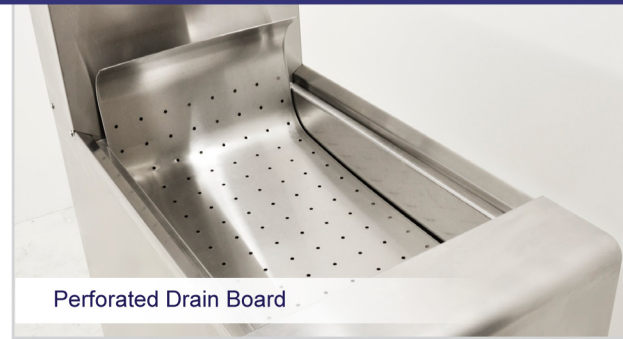
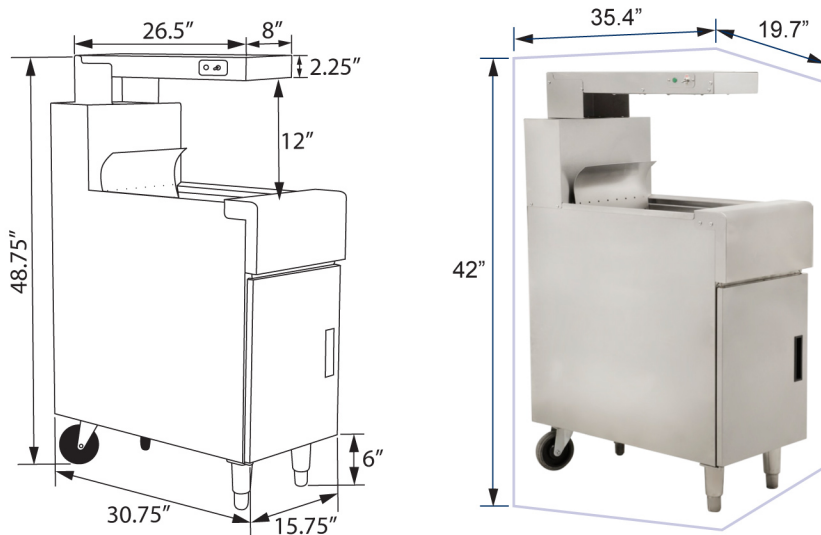
CHIP DUMP STATION WITH HEATING LAMP

NELLA

FEATURES

- Includes removable perforated drain board for drainage
- Oil drip pan comes with 2 handles for easy transport
- Durable stainless steel construction
- Equipped with 2 casters and fixed legs
- Spacious cabinet - (DWH) 29" x 13.5" x 18.5"

DIMENSIONS



TECHNICAL SPECIFICATION

ITEM NUMBER	43260
MODEL	FW-CN-0032-F
DESCRIPTION	Stainless steel chip dump with 2 halogen heating lamps, 2 casters and 2 fixed legs
OIL DRIP PAN DIMENSIONS	(DWH) 19" x 13" x 4" / 482.6 x 330 x 101.6 mm
CABINET DIMENSIONS	(DWH) 29" x 13.5" x 18.5" / 736.6 x 343 x 470 mm
POWER	200 watt
ELECTRICAL	110v/60hz/1ph
NET DIMENSIONS	30.75" x 15.75" x 48.75" / 781 x 400 x 1238 mm
GROSS DIMENSIONS	19.7" x 35.4" x 42" / 500 x 900 x 1200 mm
NET WEIGHT	38 kg / 83.8 lbs
GROSS WEIGHT	52 kg / 114.6 lbs

NELLA

Telephone: 416-740-2424
 Email: help@nellaonline.com
 Website: www.nellaonline.com