



FOOD EQUIPMENT

SERVING THE FOOD INDUSTRY SINCE 1951

# 1750 W COUNTERTOP ELECTRIC GRIDDLE

ITEM: 43212 | MODEL: CE-CN-0405

## NELLA'S COUNTERTOP ELECTRIC GRIDDLE

*is made up of heavy-duty stainless steel construction that is suitable for commercial use. Designed to be safe and energy efficient.*

*Features independent thermostat controls for convenient use, and high efficiency stainless steel heating element.*



Authorized Dealer



**WARRANTY**  
PARTS AND LABOR



# FOOD EQUIPMENT

1750 W COUNTERTOP ELECTRIC GRIDDLE CE-CN-0405

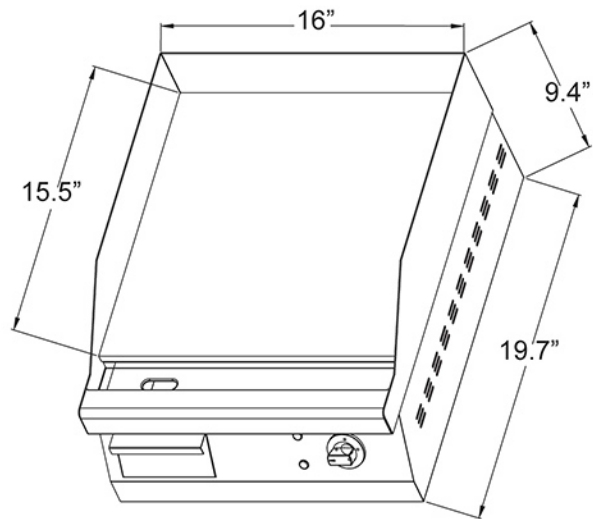
# NELLA



## TECHNICAL SPECIFICATIONS

ITEM NUMBER	43212
MODEL	CE-CN-0405
POWER	1750 W
TEMPERATURE	65° - 300°C / 150° - 570°F
COOKING AREA (WD)	16" x 15.5" / 406 x 394mm
ELECTRICAL	120V/60/1Ph
WEIGHT	24.3 kg. / 53.6 lbs.
PACKAGING WEIGHT	28.9 kg. / 63.7 lbs.
DIMENSION (WDH)	16.14" x 19.76" x 9.4" / 410 x 502 x 239 mm
PACKAGING DIMENSIONS	24" x 14" x 18" / 610 x 356 x 457 mm

## TECHNICAL DRAWING AND DIMENSIONS



## FEATURES

- Commercial heavy-duty stainless steel construction
- Quick heating and large cooking area
- Top and bottom double welding technology
- High efficiency stainless steel heating element
- Thick steel cooking plate, high heat retention and even heating
- Stainless steel control knobs
- Large removable grease tray
- Extra steel splash-guard inside and back for protection against grease and spills
- Power and heating lights
- High output, high efficient and energy saving



**WARRANTY**  
PARTS AND LABOR



NEMA  
5 - 20  
125 VAC / 20 AMP  
RECEPTACLE



# NELLA

Telephone: 416-740-2424  
Email: [help@nellaonline.com](mailto:help@nellaonline.com)  
Website: [www.nellaonline.com](http://www.nellaonline.com)