



FOOD EQUIPMENT

SERVING THE FOOD INDUSTRY SINCE 1951

THREE-BULB FREESTANDING HEAT LAMP

ITEM: 41787 MODEL: FW-CN-0825

**KEEP YOUR FOOD HOT AND AT
PERFECT SERVING TEMPERATURE**

Nella's Three-Bulb Freestanding Heat Lamp boasts a simple yet sophisticated design that complements any kitchen. Featuring three infrared bulbs of 250 watts each, it will keep your food hot and ready to serve for hours.



Tray not included.



Authorized Dealer

FOOD EQUIPMENT

THREE-BULB FREESTANDING HEAT LAMP FW-CN-0825



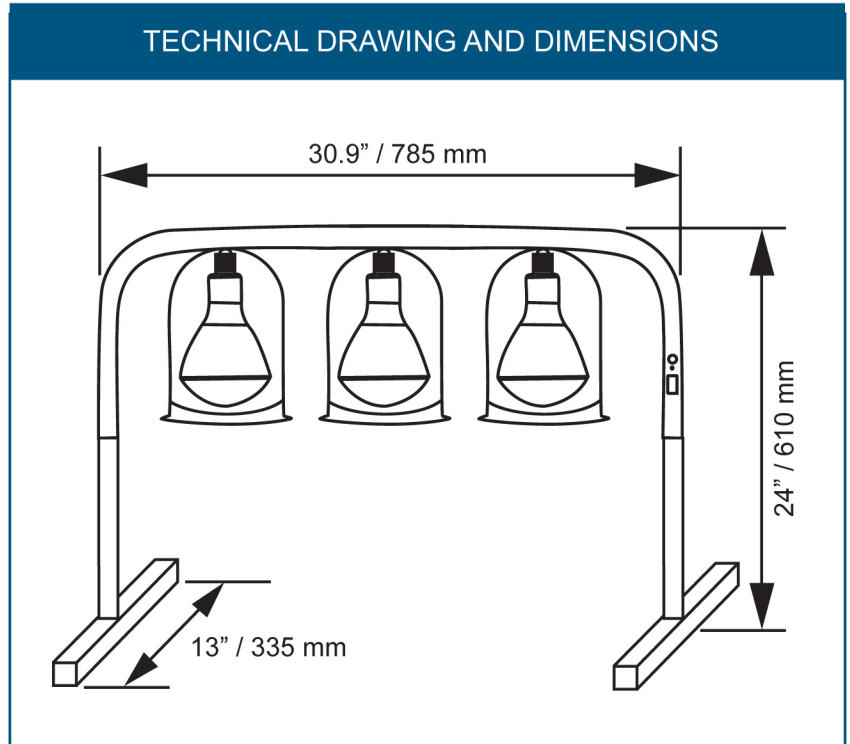
NELLA



FEATURES

- Perfect for banquet halls, buffets, and restaurants
- 6063 Alloy Aluminum Material
- Durable infrared bulb (250 watts each)
- Aluminum reflector with ventilation holes
- Warming up the tray within minutes
- ON/OFF switch located out of the heat zone

TECHNICAL DRAWING AND DIMENSIONS



TECHNICAL SPECIFICATION

ITEM NUMBER	41787
MODEL	FW-CN-0825
MATERIAL	6063 alloy aluminum
POWER OF EACH BULB	250 Watts (110V)
LENGTH OF CORD	1.6 m / 5.2 ft.
BASE TO BULB HEIGHT	15.2" / 385 mm
ELECTRICAL	110V / 60Hz / 1Ph
NET DIMENSIONS	31" x 13" x 24" / 785 x 335 x 610 mm
GROSS DIMENSIONS	31.4" x 13.6" x 9.8" / 798 x 345 x 250 mm (no pan)
NET WEIGHT	2.8 kg. / 6.2 lbs.
GROSS WEIGHT	4 kg. / 8.8 lbs.



LIMITED WARRANTY
PARTS AND LABOR



NELLA

Telephone: 416-740-2424
Email: help@nellaonline.com
Website: www.nellaonline.com