



COOKING EQUIPMENT

SERVING THE FOOD INDUSTRY SINCE 1951

3600-WATT ELECTRIC GRIDDLE

Item: 41373

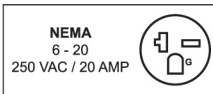
Model: CE-CN-0610-FR



Perfect for imprinting sear marks without the need for a separate chargrill. The grooves allow excess fats and oils to run through the drainage channel. This unit features two independent thermostat controls to provide increased flexibility and consistent heat.



WARRANTY
PARTS AND LABOR



Authorized Dealer

COOKING EQUIPMENT

3600-WATT ELECTRIC GRIDDLE

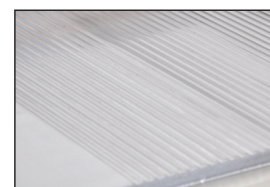
NELLA



Include a front grease trough and chute



Comes with two independently controlled thermostat for flexibility



Ribbed surface gives food an attractive look



240 V Plug for NEMA 6-20 Receptacle

TECHNICAL SPECIFICATIONS

ITEM NUMBER

41373

MODEL

CE-CN-0610-FR

POWER

3.6 kW

TEMPERATURE

60°C - 300°C / 140°F - 572°F

COOKING AREA

23.87" x 16"

ELECTRICAL

240V/60/1

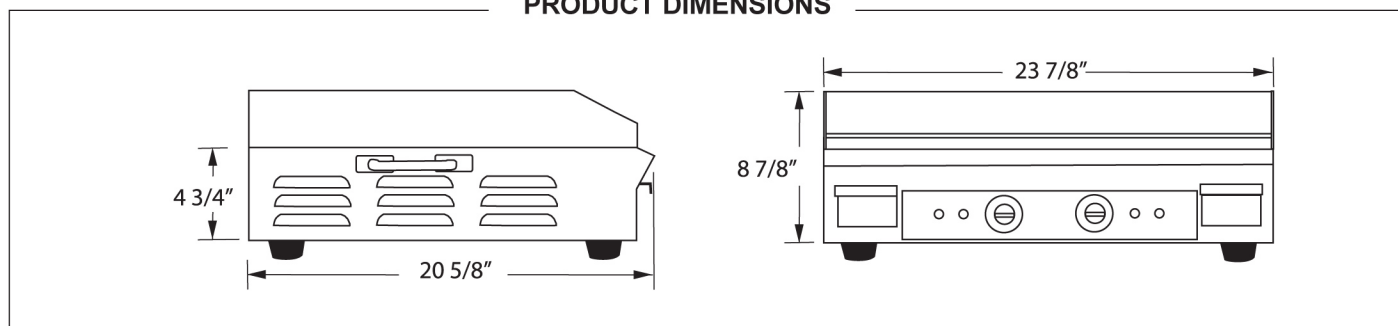
WEIGHT

42 kg / 92.4 lbs.

DIMENSIONS (DWH)

20.63" x 23.87 x 8.87"

PRODUCT DIMENSIONS



NELLA

Telephone: 416-740-2424

Email: help@nellaonline.com

Website: www.nellaonline.com