



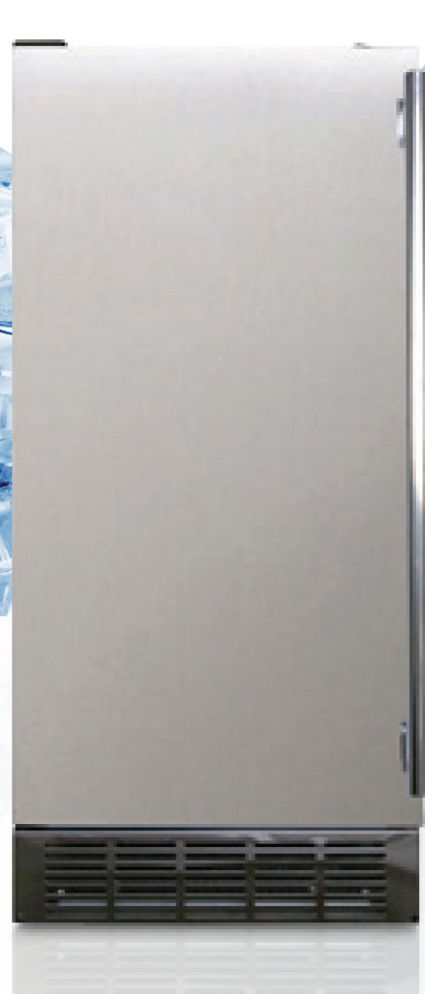
ICE MAKERS

SERVING THE FOOD INDUSTRY SINCE 1951

12-KG/26.5-LBS CAPACITY ICE MAKER

Item: 37864

Model: IC-CN-0012



- ENERGY EFFICIENT
- ICE THICKNESS IS ADJUSTABLE
- CONVENIENT TO OPERATE
- EASY TO INSTALL



WARRANTY
PARTS AND LABOR

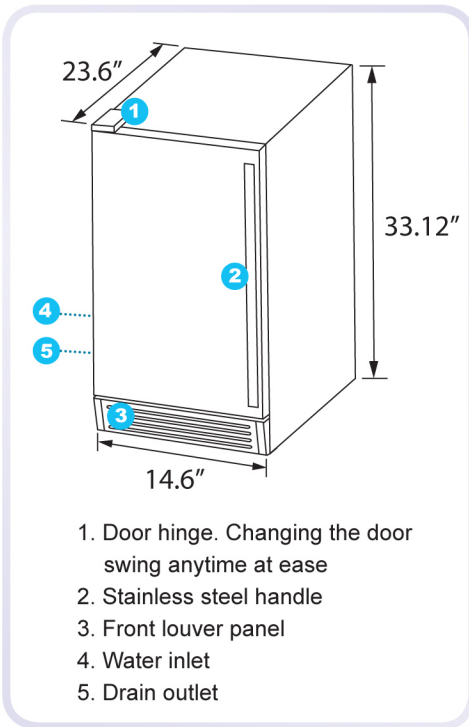


Authorized Dealer

ICE MAKERS

12-KG/26.5-LBS CAPACITY ICE MAKER

NELLA



1. Door hinge. Changing the door swing anytime at ease
2. Stainless steel handle
3. Front louver panel
4. Water inlet
5. Drain outlet

Features:

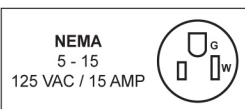
- Finish: Black Painting cabinet
- Body: foaming body and door
- Stainless steel door and handle
- Come with an ice scoop
- Produces ice cube shape
- Ice making type: Water-flow
- Max. 26.5 lbs. ice storage
- Reversible door for your preference
- Excellent insulation to maintain cool temperature
- Condenser Unit: air-cooled



CUBE SHAPE
Adjustable Thickness

TECHNICAL SPECIFICATION

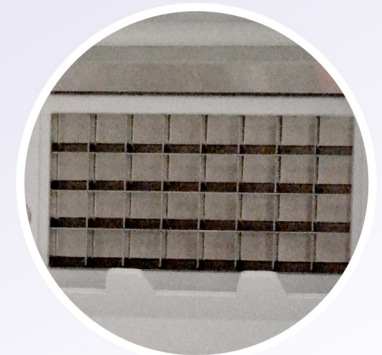
ITEM NUMBER	37864
MODEL	IC-CN-0012
MAX. PRODUCTION	20 kg/ 44 lbs. per day
MAX. ICE STORAGE	12 kg/ 26.5 lbs
ICE SHAPE	Cube
ELECTRICAL	115V / 60Hz / 1Ph
POWER	210w
CURRENT	3A - 3.6A
REFRIGERANT	R134a
WEIGHT	37 kg/ 81.6 lbs.
PACKAGING WEIGHT	46 kg/ 101.4 lbs.
DIMENSIONS	14.6" x 23.6" x 33.12" / 370 x 600 x 842 mm
PACKAGING DIMENSIONS	16.25" x 26.12" x 39.4" / 413 x 665 x 1000 mm



WARRANTY
PARTS AND LABOR



ICE STORAGE BIN



EVAPORATOR (ICE MOLD)



CONTROL PANEL



NELLA

Telephone: 416-740-2424
Email: help@nellaonline.com
Website: www.nellaonline.com