

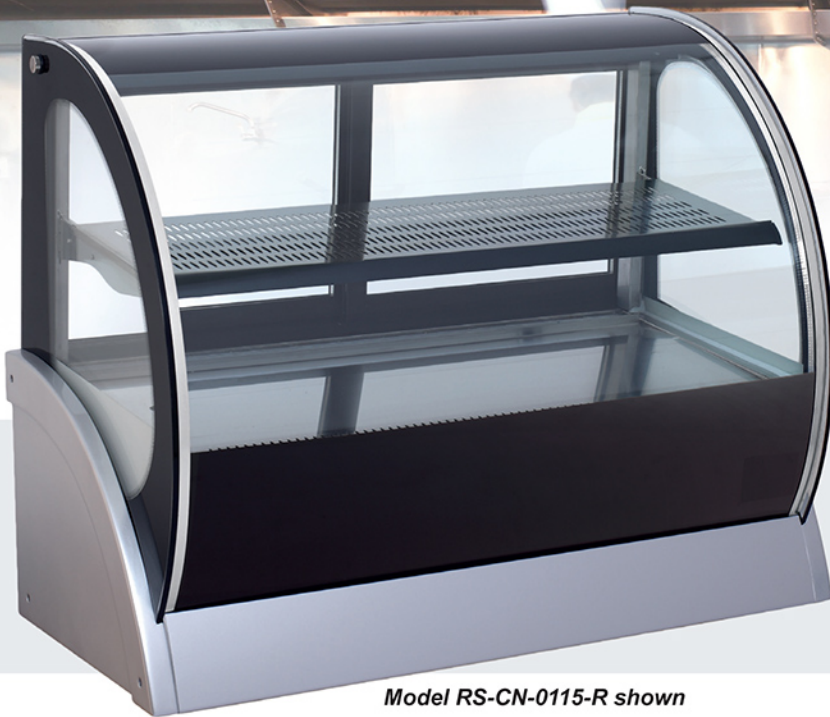
SERVING THE FOOD INDUSTRY SINCE 1951

COUNTERTOP CURVED GLASS REFRIGERATED DISPLAYS

Item: 31406
Model: RS-CN-0115-R

Item: 31815
Model: RS-CN-0155-R

Item: 31818
Model: RS-CN-0200-R



Model RS-CN-0115-R shown

**ATTRACTIVELY DISPLAY FOOD
MERCHANDISE AND INCREASE
IMPULSE SALE**

Nella's Countertop Curved Glass Refrigerated Displays are perfect for supermarkets and sandwich shops. Features an attractive smooth finish, curved glass, and stainless steel body. Comes with digital temperature controller and automatic defrost system.



WARRANTY
PARTS AND LABOR



SHIPPED ON PALLET

NEMA
5 - 15
125 VAC / 15 AMP



Authorized Dealer

REFRIGERATION

36-INCH CURVED GLASS REFRIGERATED DISPLAY
WITH SINGLE ACCESS - 4 CU. FT.

NELLA



Item 31406 shown

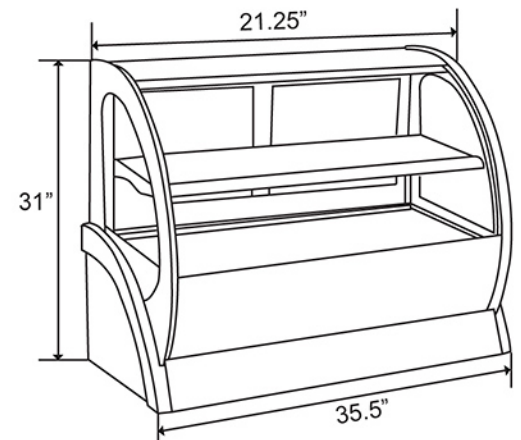
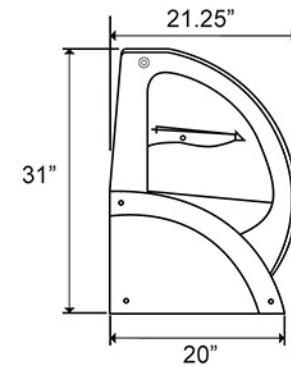
FEATURES

- #304 Stainless Steel exterior and interior
- Forced air circulation system
- High quality digital temperature controller
- Middle or High back pressure hermetic compressor
- Automatic defrost system
- RR134a Gas, Ozone friendly

TECHNICAL SPECIFICATIONS

ITEM NUMBER	31406
MODEL	RS-CN-0115-R
TEMPERATURE RANGE	2°C - 8°C / 35.6°F - 46.4°F
CAPACITY (L / CU. FT.)	115 L / 4 cu. ft.
POWER	0.420 kW
CURRENT	4.82A
REFRIGERANT	R134a, 185g
NUMBER OF SHELVES	2
ELECTRICAL	110V / 60Hz / 1Ph
INTERIOR DIMENSIONS (DWH)	15.75" x 35.5" x 14.5" 400.05 x 901.7 x 368.3 mm
DIMENSIONS (DWH)	21.25" x 35.5" x 31" 539.75 x 901.7 x 787.4 mm
PACKAGING DIMENSIONS	39.75" x 25.40" x 40" 1009.65 x 645.16 x 1016 mm
WEIGHT	209.5 lbs. / 95 kg.

TECHNICAL DRAWINGS AND DIMENSIONS



NELLA

Telephone: 416-740-2424
Email: help@nellaonline.com
Website: www.nellaonline.com

REFRIGERATION

47-INCH CURVED GLASS REFRIGERATED DISPLAY
WITH SINGLE ACCESS - 5.47 CU. FT.

NELLA



Item 31406 shown

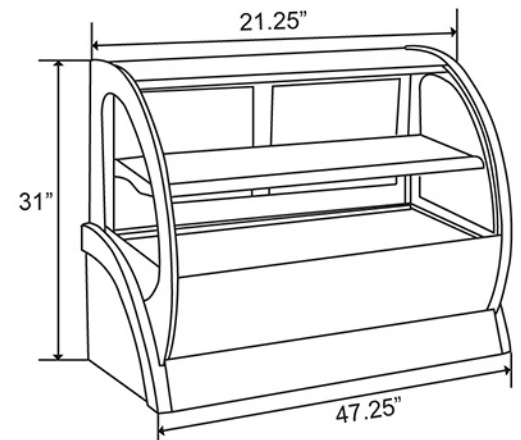
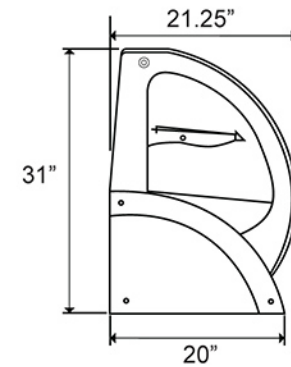
FEATURES

- #304 Stainless Steel exterior and interior
- Forced air circulation system
- High quality digital temperature controller
- Middle or High back pressure hermetic compressor
- Automatic defrost system
- RR134a Gas, Ozone friendly

TECHNICAL SPECIFICATIONS

ITEM NUMBER	31815
MODEL	RS-CN-0155-R
TEMPERATURE RANGE	2°C - 8°C / 35.6°F - 46.4°F
CAPACITY (L / CU. FT.)	155 L / 5.47 cu. ft.
POWER	0.453 kW
CURRENT	4.58A
REFRIGERANT	R134a, 270g
NUMBER OF SHELVES	2
ELECTRICAL	110V / 60Hz / 1Ph
INTERIOR DIMENSIONS (DWH)	15.75" x 47.25" x 14.5" 400.05 x 1200.15 x 368.3 mm
DIMENSIONS (DWH)	21.25" x 47.25" x 31" 539.75 x 1200.15 x 787.4 mm
PACKAGING DIMENSIONS	51.75" x 25.40" x 40" 1314.45 x 645.16 x 1016 mm
WEIGHT	231.5 lbs. / 105 kg.

TECHNICAL DRAWINGS AND DIMENSIONS



NELLA

Telephone: 416-740-2424
Email: help@nellaonline.com
Website: www.nellaonline.com

REFRIGERATION

59-INCH CURVED GLASS REFRIGERATED DISPLAY
WITH DUAL ACCESS - 7 CU. FT.

NELLA



Item 31406 shown

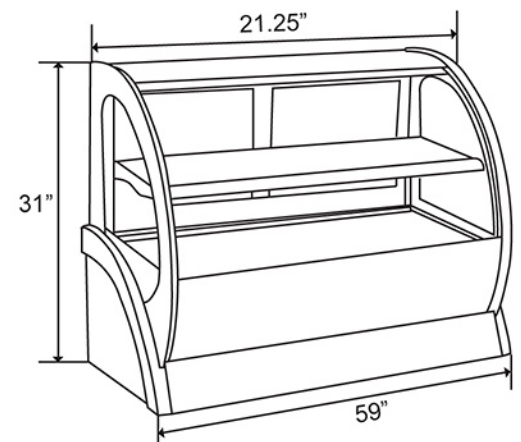
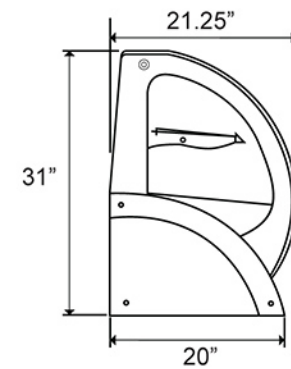
FEATURES

- #304 Stainless Steel exterior and interior
- Forced air circulation system
- High quality digital temperature controller
- Middle or High back pressure hermetic compressor
- Automatic defrost system
- RR134a Gas, Ozone friendly

TECHNICAL SPECIFICATIONS

ITEM NUMBER	31818
MODEL	RS-CN-0200-R
TEMPERATURE RANGE	2°C - 8°C / 35.6°F - 46.4°F
CAPACITY (L / CU. FT.)	200 L / 7 cu. ft.
POWER	0.479 kW
CURRENT	4.84A
REFRIGERANT	R134a, 300g
NUMBER OF SHELVES	2
ELECTRICAL	110V / 60Hz / 1Ph
INTERIOR DIMENSIONS (DWH)	15.75" x 59" x 14.5" 400.05 x 1498.6 x 368.3 mm
DIMENSIONS (DWH)	21.25" x 59" x 31" 539.75 x 1498.6 x 787.4 mm
PACKAGING DIMENSIONS	63.40" x 25.40" x 40" 1610.36 x 645.16 x 1016
WEIGHT	264.5 lbs. / 120 kg.

TECHNICAL DRAWINGS AND DIMENSIONS



NELLA

Telephone: 416-740-2424
Email: help@nellaonline.com
Website: www.nellaonline.com