

SERVING THE FOOD INDUSTRY SINCE 1951

## HOTDOG STEAMER AND BUN WARMER

ITEM: 17133 MODEL: FW-TW-3050

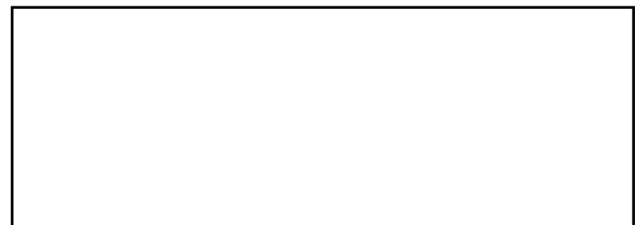
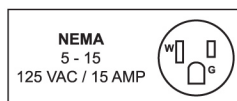
**STEAM DELICIOUS HOTDOGS AND  
WARM BUNS SIMULTANEOUSLY**



Condiment Squeeze Bottles  
are sold separately.



**WARRANTY**  
PARTS AND LABOR



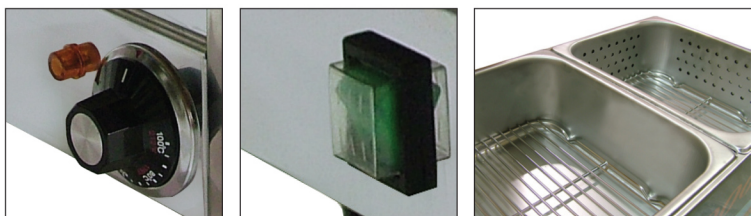
Authorized Dealer

# FOOD EQUIPMENT

HOTDOG STEAMER AND BUN WARMER FW-TW-3050

# NELLA

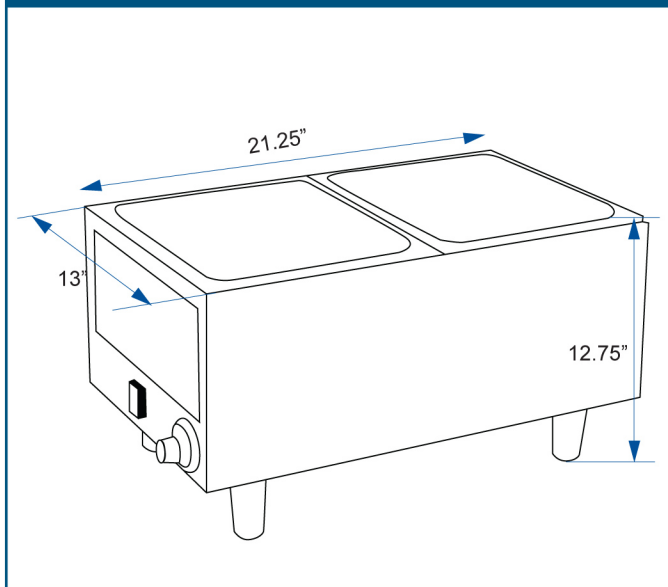
Nella's Stainless Steel Hotdog Steamer and Bun Warmer steams delicious hotdogs and warms buns simultaneously. Cabinet and lids are made of stainless steel.



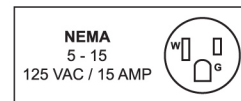
## TECHNICAL SPECIFICATION

ITEM NUMBER	17133
MODEL	FW-TW-3050
POWER	1.2 kW / 1200 W
CAPACITY	30 pcs. (buns) 50 pcs. (hotdogs)
CABINET DIMENSION	11.75" x 9.25" x 4.75" 298 x 235 x 121 mm (each cabinet)
ELECTRICAL	120V / 60Hz / 1Ph
DIMENSION (DWH)	13" x 21.25" x 12.75" 330 x 540 x 324 mm
WEIGHT	26 lbs. / 11.7 kg.
PACKAGING WEIGHT	27 lbs. / 12.2 kg.
PACKAGING DIMENSIONS	17" x 26" x 13" 432 x 660 x 330 mm

## TECHNICAL DRAWING AND DIMENSIONS



**WARRANTY**  
PARTS AND LABOR



# NELLA

Telephone: 416-740-2424  
Email: [help@nellaonline.com](mailto:help@nellaonline.com)  
Website: [www.nellaonline.com](http://www.nellaonline.com)