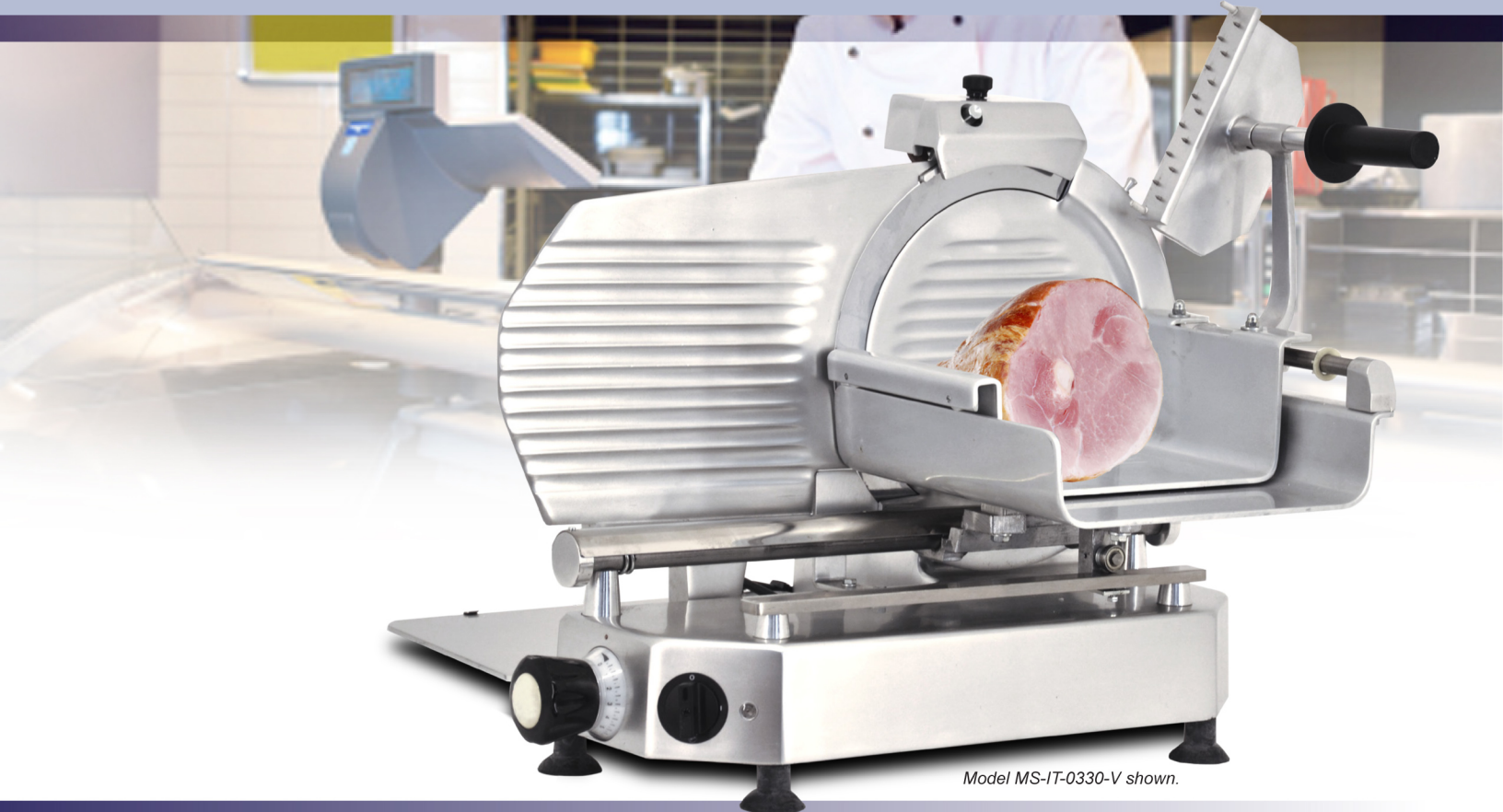


SERVING THE FOOD INDUSTRY SINCE 1951

## HORIZONTAL BELT-DRIVEN SLICERS

Item: 13647 Model: MS-IT-0300-V | Item: 13648 Model: MS-IT-0330-V  
Item: 13649 Model: MS-IT-0350-V | Item: 13650 Model: MS-IT-0370-V



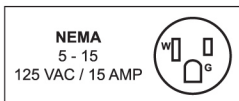
Model MS-IT-0330-V shown.

### EXCEPTIONAL AND EASY-TO-USE SLICER FOR YOUR KITCHEN

These slicers are made of anodized aluminium alloy which makes it easy to clean and meet the most demanding sanitation requirements. The precise decimal thickness regulator ranges between 0 and 16mm. They are equipped with built-in blade sharpener for effective cutting. The plate mounted on the ball bearings features an exceptional smooth operation.



**LIMITED WARRANTY**  
PARTS AND LABOR



Authorized Dealer

# KITCHEN EQUIPMENT

12-INCH / 13-INCH BLADE HORIZONTAL BELT-DRIVEN SLICERS  
MS-IT-0300-V | 13647 | MS-IT-0330-V | 13648



# NELLA

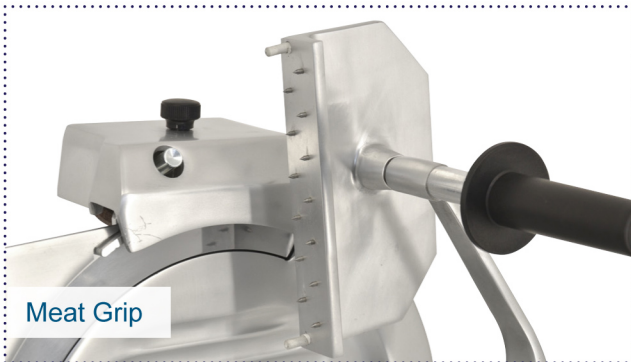


Model MS-IT-0330-V shown.

- Easy to clean
- Built-in blade sharpener for effective cutting
- Ideal for thin prosciutto slicing



Sharpener

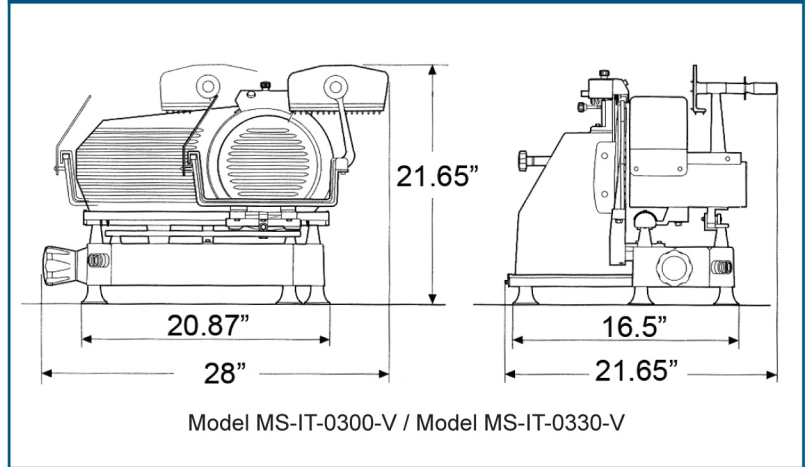


Meat Grip



Slice Thickness Control Knob

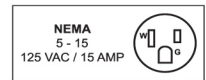
## TECHNICAL DRAWING AND DIMENSIONS



## TECHNICAL SPECIFICATIONS

ITEM NUMBER	13647	13648
MODEL	MS-IT-0300-V	MS-IT-0330-V
BLADE SIZE	12" / 300 mm	13" / 330 mm
POWER	0.50 HP / 0.37 kW	0.50 HP / 0.37 kW
SLICING VOLUME*	2 hours	2 hours
RPM	280	260
CUTTING SIZE	10.23" x 7.90" 260 x 201 mm	9.84" x 8.25" 250 x 210 mm
CUT THICKNESS	0-16mm	0-16mm
ELECTRICAL	110V/60Hz/1Ph	110V/60Hz/1Ph
WEIGHT	79.3 lbs. / 36 kg.	81.4 lbs. / 37 kg.
PACKAGING WEIGHT	90 lbs. / 41 kg.	92 lbs. / 42 kg.
PACKAGING DIMENSIONS	28" x 25" x 23" 711 x 635 x 584 mm	28" x 25" x 24" 711 x 635 x 610 mm

\*Results may vary due to product consistency and temperature.



# NELLA

Telephone: 416-740-2424  
Email: help@nellaonline.com  
Website: www.nellaonline.com



# KITCHEN EQUIPMENT

14-INCH / 14.5-INCH BLADE HORIZONTAL BELT-DRIVEN SLICERS  
MS-IT-0350-V | 13649 | MS-IT-0370-V | 13650



# NELLA



Model MS-IT-0330-V shown.

- Easy to clean
- Built-in blade sharpener for effective cutting
- Ideal for thin prosciutto slicing



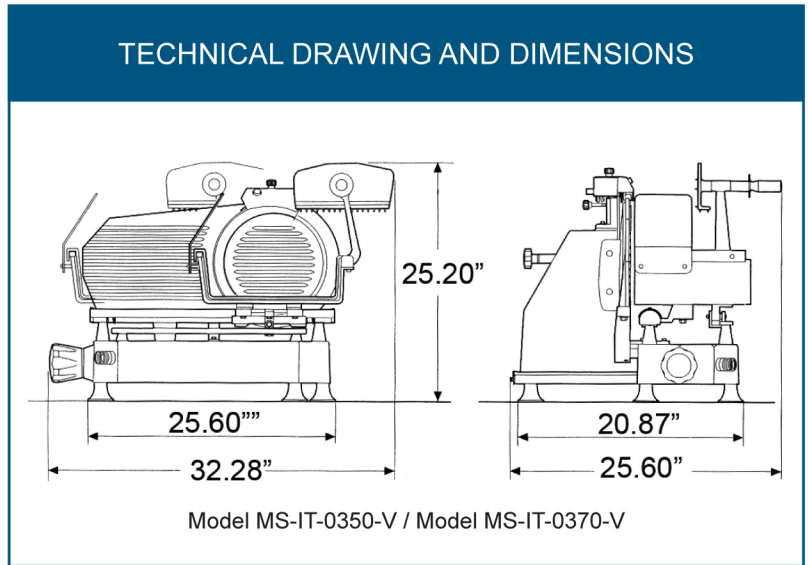
Sharpener



Meat Grip



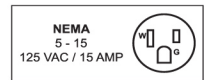
Slice Thickness Control Knob



### TECHNICAL SPECIFICATIONS

ITEM NUMBER	13649	13650
MODEL	MS-IT-0350-V	MS-IT-0370-V
BLADE SIZE	14" / 350 mm	14.5" / 370 mm
POWER	0.50 HP / 0.37 kW	0.50 HP / 0.37 kW
SLICING VOLUME*	2 hours	2 hours
RPM	260	260
CUTTING SIZE	11.81" x 10.43" 300 x 265 mm	11.42" x 10.82" 290 x 275 mm
CUT THICKNESS	0-16mm	0-16mm
ELECTRICAL	110V/60Hz/1Ph	110V/60Hz/1Ph
WEIGHT	99 lbs. / 45 kg.	101.2 lbs. / 46 kg.
PACKAGING WEIGHT	115 lbs. / 52 kg.	117 lbs. / 53 kg.
PACKAGING DIMENSIONS	32" x 28" x 25" 813 x 711 x 635 mm	32" x 28" x 25" 813 x 711 x 635 mm

\*Results may vary due to product consistency and temperature.



# NELLA

Telephone: 416-740-2424  
Email: help@nellaonline.com  
Website: www.nellaonline.com