

SERVING THE FOOD INDUSTRY SINCE 1951

## HEAVY-DUTY MEAT MIXER WITH 1.5 HP

Item: 13159 Model: MM-IT-0050



**SEASONING LARGE VOLUME OF MEAT  
HAS NEVER BEEN EASIER!**

Nella's commercial meat mixer is designed to effortlessly season ground meat thoroughly and consistently in a shorter amount of time. It provides the best solution for butcher shops, supermarkets, and meat processing industries.



**WARRANTY**  
PARTS AND LABOR



Authorized Dealer

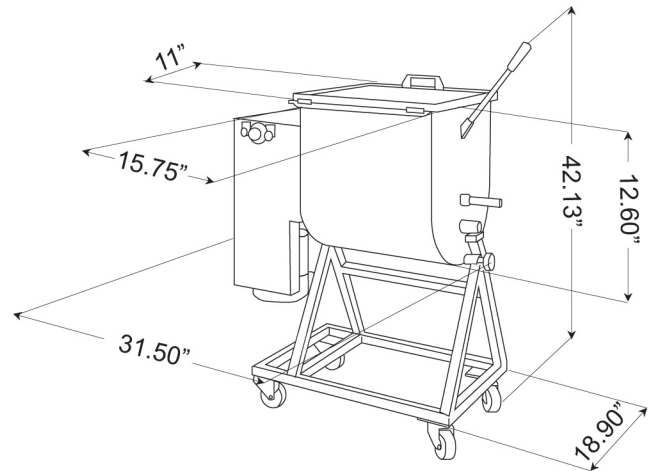
# KITCHEN EQUIPMENT

HEAVY-DUTY MEAT MIXER WITH 1.5 HP MM-IT-0050 | ITEM: 13159

# NELLA



## TECHNICAL DRAWING AND DIMENSIONS



### Features

- Machine conforms to CE requirements
- Manufactured from AISI 304 stainless steel
- Transparent tank cover
- The tank can be turned 90° for easy emptying
- Push button for temporary reverse rotation

ITEM NUMBER	13159
MODEL	MM-IT-0050
POWER	1.5 HP / 1.12 kW
WORKING CAPACITY	50 kg. / 110.23 lbs.
TANK VOLUME	73 L / 77 QT
ELECTRICAL	220V / 60Hz / 1Ph
WEIGHT	165 lbs. / 75 kg.
PACKAGING WEIGHT	185 lbs. / 84 kg.
DIMENSIONS (DWH)	18.90" x 31.50" x 42.13" 480 x 800 x 1070 mm



**WARRANTY**  
PARTS AND LABOR



# NELLA

Telephone: 416-740-2424  
Email: [help@nellaonline.com](mailto:help@nellaonline.com)  
Website: [www.nellaonline.com](http://www.nellaonline.com)