

SERVING THE FOOD INDUSTRY SINCE 1951

MANUAL, NON-TILTING MEAT MIXERS

**SEASONING LARGE VOLUME OF MEAT
HAS NEVER BEEN EASIER!**

Nella's commercial meat mixers are designed to effortlessly season ground meat thoroughly and consistently in a shorter amount of time. It provides the best solution for butcher shops, supermarkets, and meat processing industries.



180 DAYS
WARRANTY



Authorized Dealer



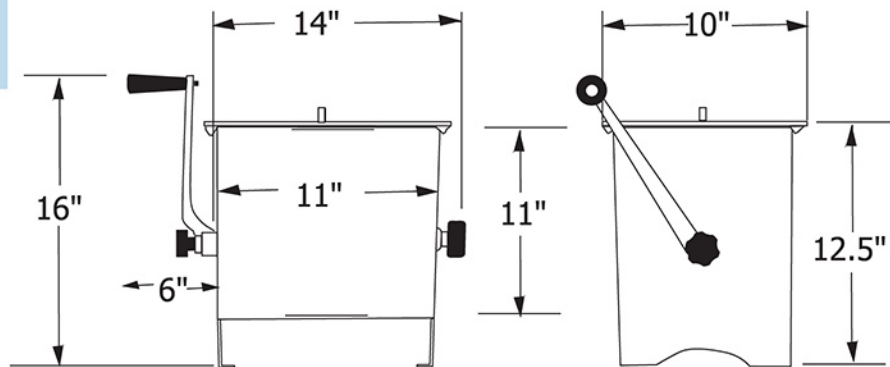
FEATURES

- Manual Meat Mixer with 17 lb. working capacity
- Equipped with a 4.2 gallon tank capacity with a removable paddle
- Easy to clean and use

Manual, Non-Tilting Meat Mixer with 17-lb / 4.2-gallon Tank Capacity

ITEM NUMBER	13155
WORKING CAPACITY	17-lb / 4.2-gallon
WEIGHT	15 lbs. / 6.8 kg.
PACKAGING WEIGHT	20 lbs. / 9.1 kg.
DIMENSIONS	20" x 10" x 12.5" / 508 x 254 x 317.5 mm
PACKAGING DIMENSIONS	24" x 12" x 18" / 609.6 x 304.8 x 457.2 mm

TECHNICAL DRAWINGS AND DIMENSIONS





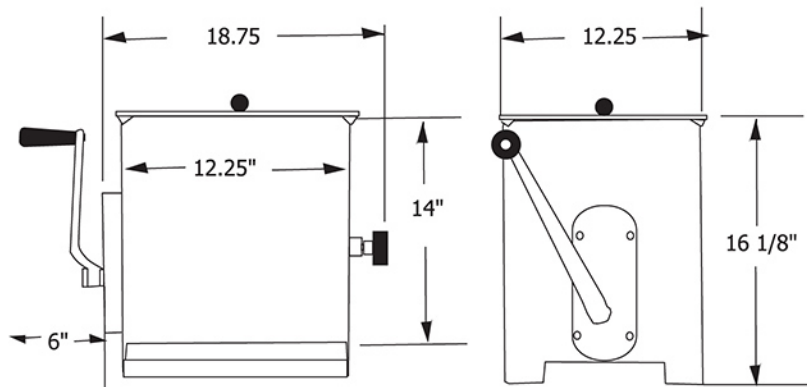
FEATURES

- Manual Meat Mixer with 44 lb. working capacity
- Equipped with a 7 gallon tank capacity with a removable paddle
- Designed with a gear-reduced transmission
- Easy to clean and use

Manual, Non-Tilting Meat Mixer with 44-lb / 7-gallon Tank Capacity

ITEM NUMBER	13156
WORKING CAPACITY	44-lb / 7-gallon
WEIGHT	25 lbs. / 11.3 kg.
PACKAGING WEIGHT	30 lbs. / 13.6 kg.
DIMENSIONS	24.75" x 12.25" x 16" / 628.65 x 311.15 x 406.4 mm
PACKAGING DIMENSIONS	26" x 16" x 20" / 660.4 x 406.4 x 508 mm

TECHNICAL DRAWINGS AND DIMENSIONS



WARRANTY

