



HANDLING AND STORAGE

SERVING THE FOOD INDUSTRY SINCE 1951

STAINLESS STEEL STOCK CARTS

Nella's Stainless Steel Stock Carts are sturdily constructed to endure tough everyday handling. Finished for easy cleaning. Great for supermarkets and various food service operations. Shipped knock-down.



13118



23731



WARRANTY



SHIPPED ON PALLET



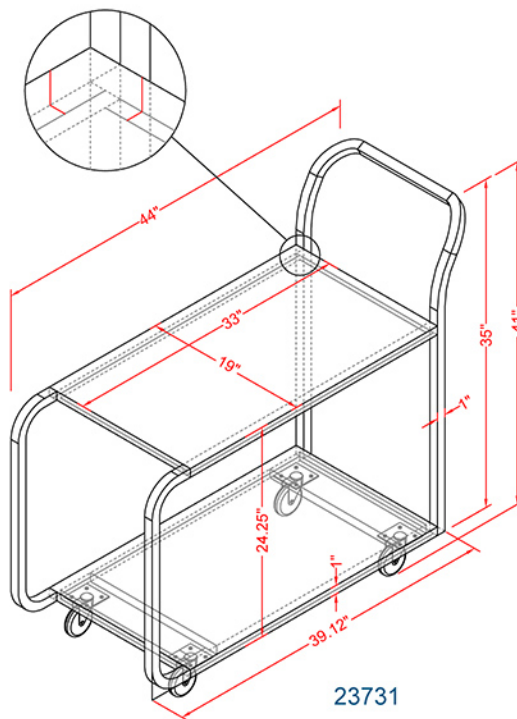
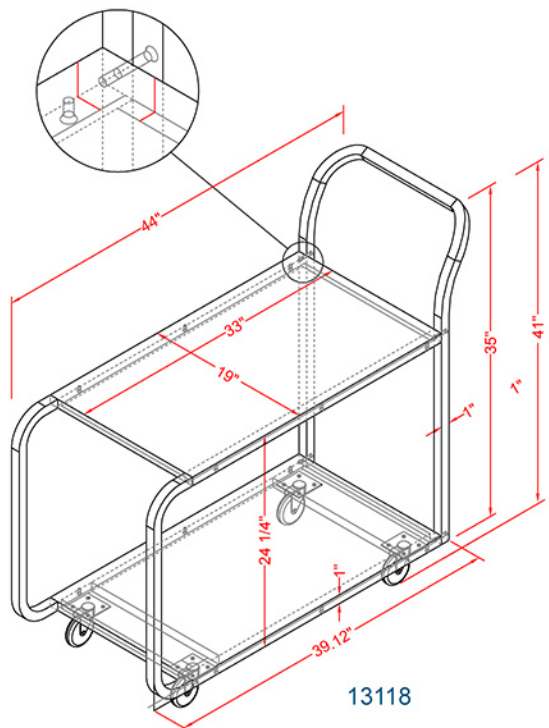
Authorized Dealer

HANDLING AND STORAGE

STAINLESS STEEL STOCK CARTS



TECHNICAL DRAWING AND DIMENSIONS



TECHNICAL SPECIFICATIONS

ITEM	13118	23731
DESCRIPTION	Stainless Steel Stock Cart	Stainless Steel Stock Cart (Welded)
UNDERSHELF	Flat	
CAPACITY	700 lbs. / 318 kg.	
WEIGHT	53 lbs. / 24 kg.	
PACKAGING WEIGHT	57 lbs. / 26 kg.	
DIMENSIONS (DWH)	44" x 19" x 41" / 1118 x 483 x 1041 mm	44" x 19" x 41" / 1118 x 483 x 1041 mm
PACKAGING DIMENSIONS	41" x 26" x 6" / 1041 x 660 x 152 mm	46" x 20" x 43" / 1168 x 508 x 1092 mm

Assembly required.

Fully assembled.



WARRANTY



Telephone: 416-740-2424
 Email: help@nellaonline.com
 Website: www.nellaonline.com