



FOOD WARMERS

SERVING THE FOOD INDUSTRY SINCE 1951

FOOD STEAMER/BOILER

Item: 11384

Model: FW-TW-0016



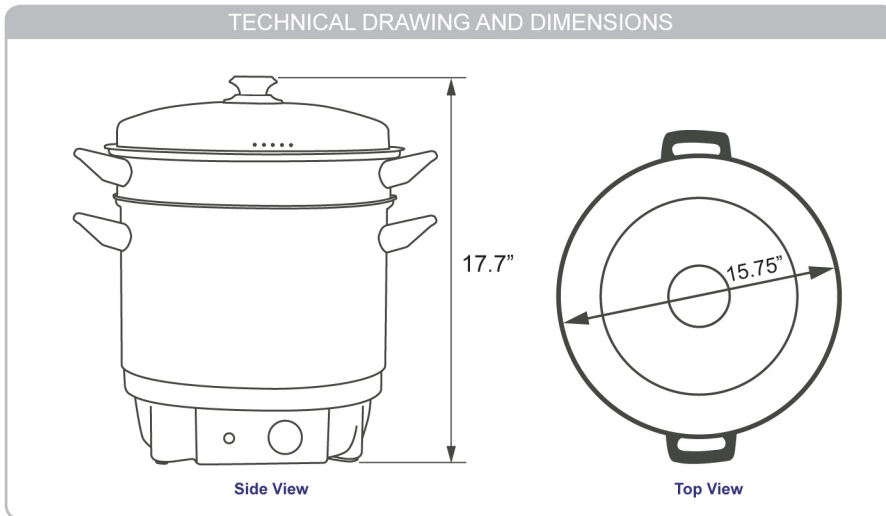
**LIMITED
WARRANTY**
PARTS AND LABOR



Authorized Dealer

Features:

- Security feature: automatic shut off
- Includes pot, lid, strainer insert and removable insert divider
- Made of SUS 304(18/8) stainless steel, 0.7mm thickness
- Fast heats up with 1600-watts



Temperature switch controller



Strainer insert



Stainless steel pot interior

TECHNICAL SPECIFICATION

ITEM NUMBER	11384
MODEL	FW-TW-0016
DESCRIPTION	Food Steamer/Boiler
CAPACITY	17L/ 18 QT
POWER	1.6 kW
ELECTRICAL	120V/60Hz/1
WEIGHT	16.5 lbs./ 7.5 kgs.
PACKAGING WEIGHT	20 lbs./ 9 kgs
DIMENSIONS	17.7" (H) x 15.75 (Dia.) / 449.6mm (H) x 400mm (Dia.)
PACKAGING DIMENSIONS	17" x 17" x 19" / 432 x 432 x 482.6 mm

