



**KITCHEN EQUIPMENT**

**SERVING THE FOOD INDUSTRY SINCE 1951**

## **MODERATE-DUTY MEAT GRINDER WITH 22 HP**

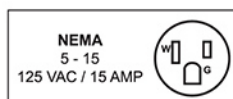
**Item: 11067 Model: MG-BR-0022**

### **MINCE DIFFERENT TYPES OF MEAT QUICKLY AND EFFICIENTLY**

This powerful, gear-driven meat grinder includes a 1 5/8" throat opening and stainless steel pan. It features a high performance 2 horsepower motor making it ideal for butcher shops, food stores and restaurants. Easy to disassemble for quick cleaning.



**WARRANTY**  
PARTS AND LABOR



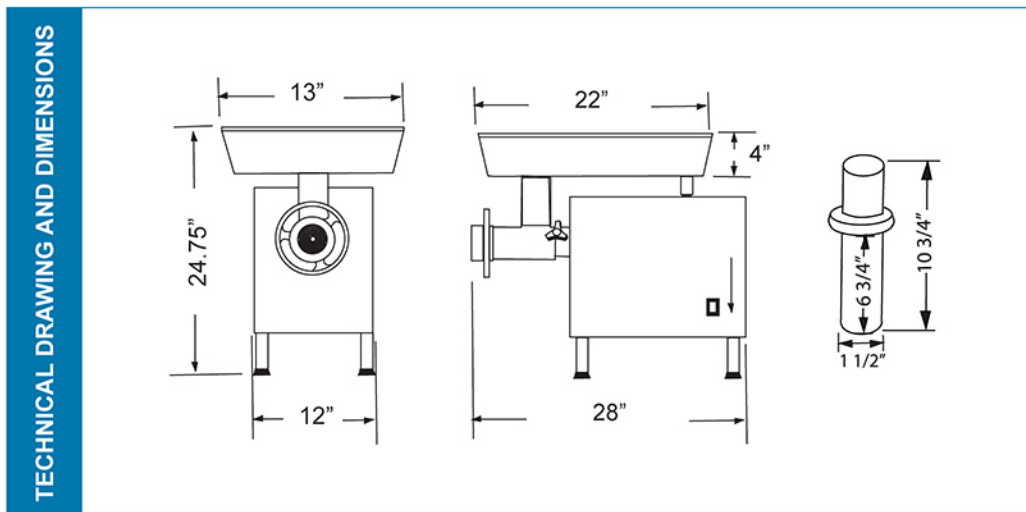
Authorized Dealer

- Powerful, gear-driven meat grinder that includes a 1 5/8" throat opening and stainless steel pan
- Comes with 3mm and 5mm #22 machine plates
- Features a high performance 2 horsepower motor making it ideal for butcher shops, food stores and restaurants
- Easy to disassemble for quick cleaning



**TECHNICAL SPECIFICATION**

ITEM NUMBER	11067
MODEL	MG-BR-0022
POWER	2 HP / 1.47 kW
THROAT	1 5/8" / 41.275 mm
RPM ON MOTOR	1750
RPM ON WORM	150
ELECTRICAL	110V / 60Hz / 1Ph
WEIGHT	89.76 lbs. / 40.7 kg.
PACKAGING WEIGHT	105 lbs. / 47.6 kg.
DIMENSIONS (DWH)	28" x 12" x 24.75" / 711.2 x 304.8 x 628.65 mm
PACKAGING DIMENSIONS	21.5" x 33.5" x 22.5" / 546 x 850.9 x 571.5 mm



**WARRANTY**  
PARTS AND LABOR



NEMA  
5 - 15  
125 VAC / 15 AMP