

## 3-KG/ 5-KG CAPACITY EUROPEAN MANUAL SAUSAGE STUFFERS

Item: 13730/ 13732/ 42027/ 40517/ 13733/ 13734

These manual sausage stuffers offer a wide selection of sizes and configurations for residential and commercial applications. The standard models have enameled steel sides. Item 13732 & 13733 feature a two speed gearing system - one gear for sausage stuffing and one gear to return piston quickly to starting position. All models are supplied with a selection of stuffing funnels.

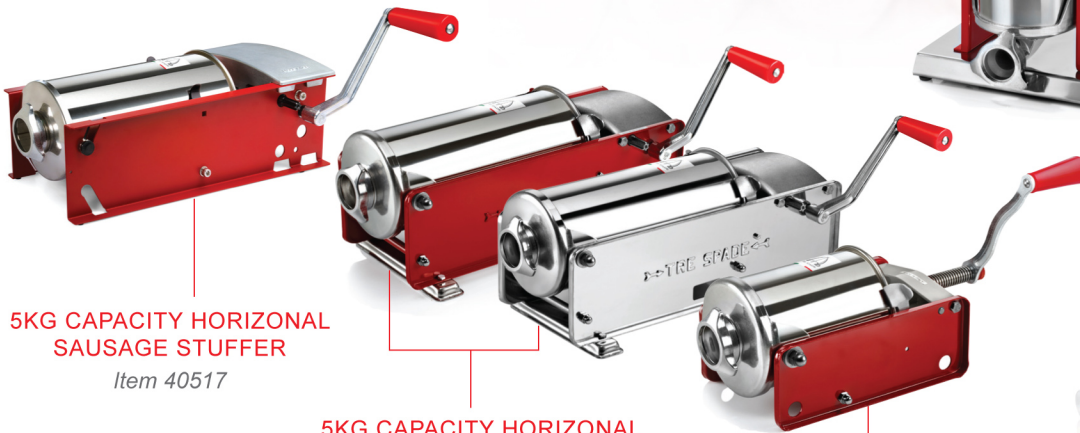
5KG CAPACITY VERTICAL  
SAUSAGE STUFFER WITH  
TWO-SPEED GEAR

Item 13733



5KG CAPACITY VERTICAL  
SAUSAGE STUFFER WITH  
TWO-SPEED GEAR

Item 13734 (Stainless Steel)



5KG CAPACITY HORIZONTAL  
SAUSAGE STUFFER

Item 40517

5KG CAPACITY HORIZONTAL  
SAUSAGE STUFFER WITH  
TWO-SPEED GEAR

Item 13732

Item 42027 (Stainless Steel)

3KG CAPACITY HORIZONTAL  
SAUSAGE STUFFER

Item 13730



STANDARD  
STUFFING FUNNELS



Authorized Dealer

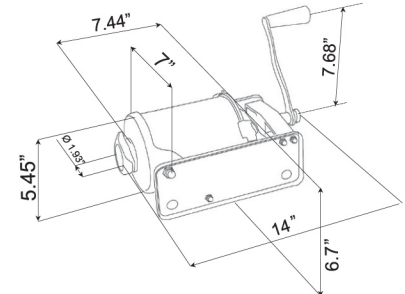
# SAUSAGE STUFFERS

3-KG & 5-KG MANUAL EUROPEAN SAUSAGE STUFFERS

# NELLA

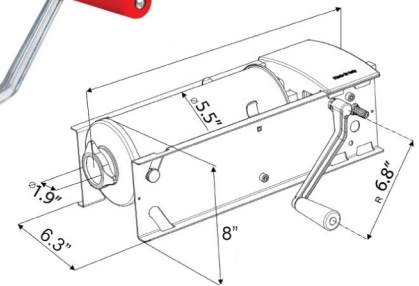
## 3kg HORIZONTAL SAUSAGE STUFFER

- Capacity: 3 kg
- Equipped with two bench clamps
- Stainless steel watertight cylinder
- Rack made of carbon steel
- Moplen piston equipped with silicon seal and air release valve
- Funnels:  $\varnothing$  10,20,30,40 mm



## 5kg HORIZONTAL SAUSAGE STUFFER

- Capacity: 5 kg
- Rubber feet to grant a perfect grip on the work bench
- Speed variator to increase the withdrawal speed
- Cylinders in stainless steel
- Watertight and easy to clean cylinder welding
- Racks in carbon steel; Anti-wear metal gears
- Aluminium gear-block with self-lubricating bushes
- "Moplen" pistons equipped with vents and silicone gaskets
- Funnels:  $\varnothing$  10, 20, 30, 40 mm



	3 kg Capacity Horizontal Sausage Stuffer	5 kg Capacity Two-Speed Gear-Driven Sausage Stuffer
ITEM NUMBER	13730	40517
TYPE	Horizontal - Direct Drive	Horizontal Two-Speed Gear-Driven
CAPACITY	3 kg/6 lbs.	5 kg/11 lbs.
FUNNEL SIZES (MM)	10, 20, 30, 40	10, 20, 30, 40
NET WEIGHT	11 lbs./ 5 kg	15.4 lbs./ 7 kg
GROSS WEIGHT	12 lbs./ 5.4 kg	17 lbs./ 7.7 kg
NET DIMENSIONS	14" x 7" x 6.7" / 360 x 180 x 170 mm	20.5" x 8" x 6.3" / 520 x 210 x 160 mm

# NELLA

Telephone: 416-740-2424  
 Email: [help@nellaonline.com](mailto:help@nellaonline.com)  
 Website: [www.nellaonline.com](http://www.nellaonline.com)

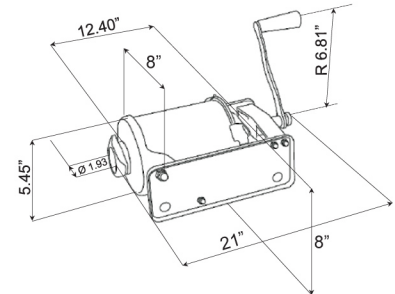
# SAUSAGE STUFFERS

5-KG MANUAL EUROPEAN SAUSAGE STUFFERS

# NELLA

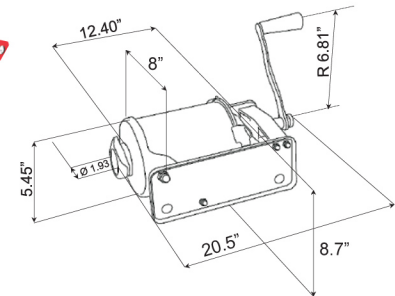
## 5kg CAPACITY HORIZONTAL SAUSAGE STUFFER WITH 2-SPEED GEAR DRIVEN

- Capacity: 5 kg
- Double piston speed for faster filling
- Stainless steel watertight cylinder
- Rack made of carbon steel
- Pressed and hardened steel gears
- Aluminium gear box with self-lubricating bushings
- Moplen piston equipped with silicon seal and air release valve
- Funnels:  $\varnothing$  10,20,30,40mm



## 5kg CAPACITY HORIZONTAL STAINLESS STEEL SAUSAGE STUFFER WITH 2-SPEED GEAR DRIVEN

- Capacity: 5 kg
- Double piston speed for faster filling
- Stainless steel watertight cylinder
- Stainless steel rack, sides, nuts and bolts
- Pressed and hardened steel gears
- Aluminium gear box with self-lubricating bushings
- Moplen piston equipped with silicon seal and air release valve
- Funnels:  $\varnothing$  10,20,30,40mm



### 5 kg Capacity Two-Speed Gear-Driven Sausage Stuffer

ITEM NUMBER	13732	42027
TYPE	Horizontal Two-Speed Gear-Driven	Horizontal Two-Speed Gear-Driven. All stainless steel
CAPACITY	5 kg/ 11 lbs.	5 kg/11 lbs.
FUNNEL SIZES (MM)	10, 20, 30, 40	10, 20, 30, 40
NET WEIGHT	23 lbs./ 10.5 kg	23 lbs./ 10.5 kg
GROSS WEIGHT	24 lbs./ 11 kg	25.4 lbs./ 11.5 kg
NET DIMENSIONS	21" x 8" x 8" / 530 x 200 x 200mm	20.5" x 9" x 8.7" / 520 x 230 x 220 mm
GROSS DIMENSIONS	22" x 9" x 9" / 559 x 229 x 229 mm	21" x 9.5" x 10" / 530 x 240 x 260 mm

# NELLA

Telephone: 416-740-2424  
 Email: [help@nellaonline.com](mailto:help@nellaonline.com)  
 Website: [www.nellaonline.com](http://www.nellaonline.com)

# SAUSAGE STUFFERS

## 5-KG MANUAL EUROPEAN SAUSAGE STUFFERS

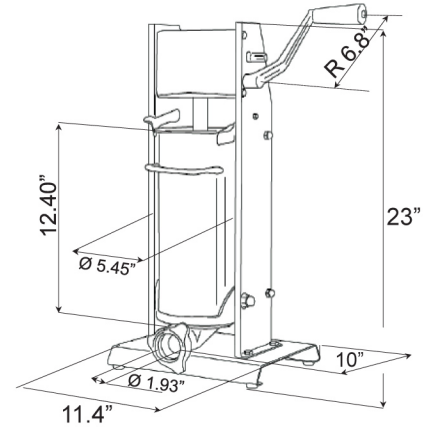
# NELLA

### 5kg CAPACITY VERTICAL SAUSAGE STUFFER WITH 2-SPEED GEAR DRIVEN

- Capacity: 5 kg
- Double piston speed for faster filling
- Space-saving vertical cylinder
- Ideal for soft mixtures
- Stainless steel watertight cylinder
- Stainless steel base
- Rack made of carbon steel
- Pressed and hardened steel gears
- Aluminium gear box with self-lubricating bushings
- Moplen piston equipped with silicon seal and air release valve
- Funnels:  $\varnothing$  10,20,30,40mm



13733

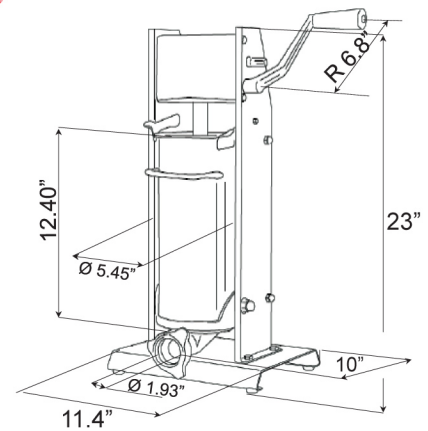


### 5kg CAPACITY VERTICAL STAINLESS STEEL SAUSAGE STUFFER WITH 2-SPEED GEAR DRIVEN

- Capacity: 5 kg
- Double piston speed for faster filling
- Space-saving vertical cylinder
- Ideal for soft mixtures
- Stainless steel watertight cylinder
- Stainless steel rack, base, sides, nuts and bolts
- Pressed and hardened steel gears
- Aluminium gear box with self-lubricating bushings
- Moplen piston equipped with silicon seal and air release valve
- Funnels:  $\varnothing$  10,20,30,40mm



13734



#### 5 kg Capacity Two-Speed Gear-Driven Sausage Stuffer

ITEM NUMBER	13733	13734
TYPE	Vertical Two-Speed Gear-Driven	Vertical Two-Speed Gear-Driven. All stainless steel
CAPACITY	5 kg/11 lbs.	5 kg/11 lbs.
FUNNEL SIZES (MM)	10, 20, 30, 40	10, 20, 30, 40
NET WEIGHT	27 lbs./ 12.2 kg	27 lbs./ 12.2 kg
GROSS WEIGHT	28 lbs./ 12.7 kg	28 lbs./ 12.7 kg
NET DIMENSIONS	10" x 11.4" x 23" / 250 x 290 x 580 mm	10" x 11.4" x 23" / 250 x 290 x 580 mm
GROSS DIMENSIONS	24" x 12" x 12" / 610 x 305 x 305 mm	24" x 12" x 12" / 610 x 305 x 305 mm

# NELLA

Telephone: 416-740-2424  
 Email: [help@nellaonline.com](mailto:help@nellaonline.com)  
 Website: [www.nellaonline.com](http://www.nellaonline.com)